

# 1977 ENGINE IDENTIFICATION American Motors

## 1977 MODELS

**Engine Code Location** — Engine code letter is seventh digit in thirteen digit Vehicle Identification Number, stamped on a metal plate which is riveted into a depression at upper left corner of instrument panel and is also printed on a non-removable label affixed to left front door adjacent to door latch. Engine codes may also be found on engines as follows:

**4 Cyl. Engine Code Number** — Located on machined flange at left rear of block adjacent to oil level indicator. Letter contained in code number identifies engine by CID, carburetor type and compression ratio.

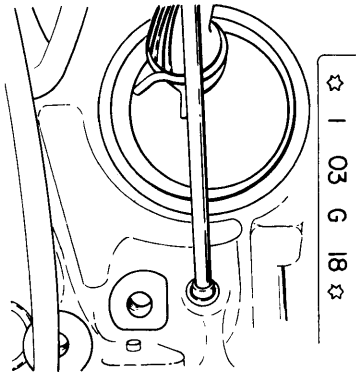


Fig. 1 4 Cylinder Engine Code Location

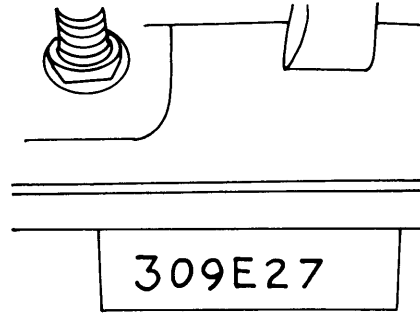


Fig. 2 6 Cylinder Engine Code Location

**V8 Engine Code Number** — Located on a tag which is attached to right bank cylinder head cover. Letter contained in code number identifies engine by cubic inch displacement, carburetor type and compression ratio.

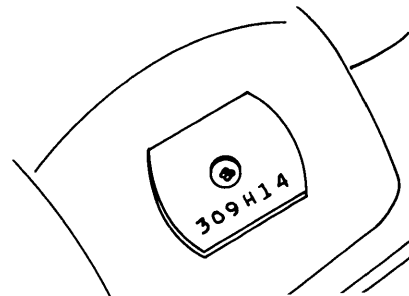


Fig. 3 V8 Engine Code Location

Engine Code	Displ. & Carb.
A .....	258" 6 Cyl. 1-Bbl.
C .....	258" 6 Cyl. 2-Bbl.
E .....	232" 6 Cyl. 1-Bbl.
G .....	121" 4 Cyl. 2-Bbl.
H .....	304" V8 2-Bbl.
N .....	360" V8 2-Bbl.

## Buick

### 1977 MODELS

**V6 Engine Code Location** — Located on pad on left side of engine block below first two spark plugs.

**V8 Engine Code Location** — All 301", 305" and some 350" engines have engine code stamped on right side front of block to rear of water pump. Some 350" and all 403" engines have number code stamped on front of block to left side of water pump.

Engine Code	Displ. & Carb.
SA,SB,SD,SG,SI,SJ,SK,SL,SM, SN,SO,ST,SU,SX,SY .....	231" V6 2-Bbl.
YF,YJ,YW,YX .....	301" V8 2-Bbl.
CPA,CPY .....	305" V8 2-Bbl.
FA,FB .....	350" V8 2-Bbl.
CKR,CKM,FC,FD,FL,QK,QL,QP,QQ, Q2,Q3,Q6,Q7,Q8,Q9,TK,TL,TN, TO,TX,TY,UA,UB,U2,U3,VA,VB,VJ,VK .....	350" V8 4-Bbl.

## Cadillac

### 1977 MODELS

**Engine Code Location** — Engine code letter is fifth digit in a thirteen digit Vehicle Identification Number, stamped on a metal plate which is riveted onto upper left corner of instrument panel and visible from outside vehicle. The code letter is also stamped on left front of block next to water pump on 350" engines, or on left rear of block behind intake manifold on 425" engines.

Engine Code	Displ. & Carb.
R .....	350" V8 E.F.I
S .....	425" V8 Carb.
T .....	425" V8 E.F.I

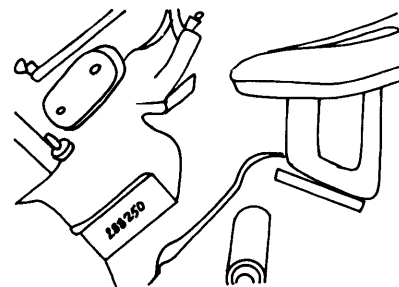
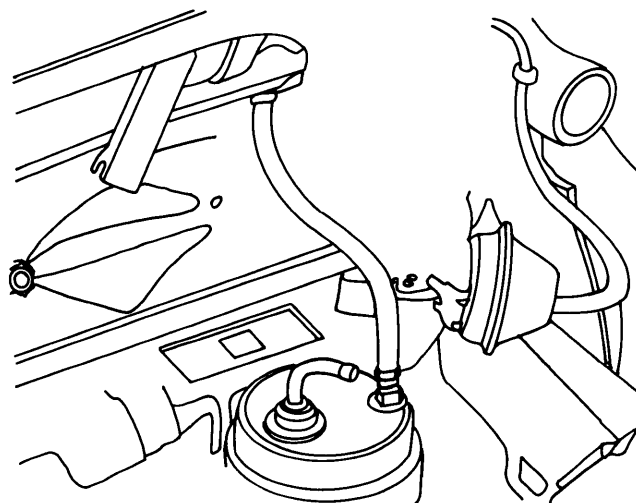


Fig. 1 Engine Code Location 425" V8

# 1977 ENGINE IDENTIFICATION Chevrolet

## 1977 MODELS

**4 Cylinder Engine Code Location** — Code letters are suffix of Engine Identification Number which is located on right side of block above starter on 140" engine and on a pad on right side of block below #1 spark plug on 1400 cc and 1600 cc engines.



6 Cyl. Engine Code Location

**6 Cylinder Engine Code Location** — Code letters are stamped on a pad located at right side of cylinder block to rear of distributor mounting pad.

**V8 Engine Code Location** — Code letters are stamped on a machined pad on front right side of engine block.

Engine Code	Displ.
CVA,CVB,CDS (Federal)	1400cc 4 Cyl.
CNA,CNB,CYC,CYD (Federal)	1600cc 4 Cyl.
CNC,CND,CNF,CNH (Hi. Alt.)	1600cc 4 Cyl.
CYF,CYH,CNR,CNS (Calif.)	1600cc 4 Cyl.
CBS,CAY,CBT,CBZ (Federal)	140" 4 Cyl. 2-Bbl.
CAA,CAC,CAB (Hi. Alt.)	140" 4 Cyl. 2-Bbl.
CBK,CYT,CAZ,CBL (Calif.)	140" 4 Cyl. 2-Bbl.
CCD,CCF,CCR (Federal)	250" 6 Cyl. 1-Bbl.
CCC (Calif.)	250" 6 Cyl. 1-Bbl.
CPA,CPY,CPR,CRB (Federal)	305" V8 2-Bbl.
CPC,CPM (Calif.)	305" V8 2-Bbl.
CKS,CLL,CUB,CKZ,CLA,CLD,CLF (Federal)	350" V8 4-Bbl.
CKM,CUC,CLB,CKK,CKA (Hi. Alt.)	350" V8 4-Bbl.
CKB,CLC,CMM (Calif.)	350" V8 4-Bbl.

## Chrysler Corp.

### 1977 MODELS

**Engine Code Location** — Fifth digit of thirteen digit serial number, stamped on the Vehicle Identification Plate and located on top of instrument panel visible through windshield, identifies engine.

**Engine Serial Number Location** — On 225", 400" and 440" engines, first digit indicates model year, next three digits designate displacement. On 318" and 360" engines, first digit indicates model year, next letter designates manufacturing plant and the next three digits designate displacement. Engine serial number is located as follows:

**225" 6 Cyl.** — Located on right side of block below number one spark plug.

**318" & 360" V8** — Located on left front of block below cylinder head.

**400" V8** — Located on cylinder block just forward of number two cylinder bore and adjacent to distributor.

**440" V8** — Left bank, pad adjacent to front tappet rail.

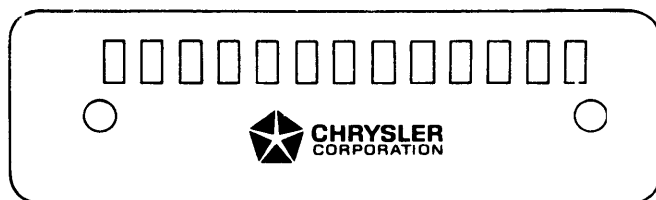


Fig. 1 Chrysler Corp. Vehicle ID Plate

Engine Code	Displ. & Carb.
C	225" 6 Cyl. 1-Bbl.
D	225" 6 Cyl. 2-Bbl.
G	318" V8 2-Bbl.
J	360" V8 4-Bbl.
K	360" V8 2-Bbl.
L	360" V8 4-Bbl. Hi Perf
N	400" V8 4-Bbl.
P	400" V8 4-Bbl. Hi Perf
T	440" V8 4-Bbl.
U	440" V8 4-Bbl. Hi Perf

# 1977 ENGINE IDENTIFICATION Ford Motor Co.

## 1977 MODELS

**Engine Code Location** – Engine code letter or number is fifth digit in eleven digit Vehicle Identification Number stamped on a tag on left front door lock face panel or on metal tab riveted to instrument panel close to windshield on drivers side and visible from outside vehicle.

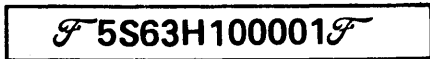


Fig. 1 Vehicle Identification Number Plate

**Engine Label** – Identification labels are located as follows:

- 2300cc 4-Cylinder – On timing belt cover.
- 2800cc V6 – Front of rocker arm cover.

- 200" & 250" 6-Cylinder – Front of rocker cover.
- V8 Engines – Front of right right hand rocker cover.

### Engine Code

### Displ. & Carb.

A .....	460" V8 4-Bbl.
C .....	460" V8 4-Bbl. Police
F .....	302" V8 2-Bbl.
H .....	351" V8 2-Bbl.
L .....	250" 6-Cyl. 1-Bbl.
R .....	400" V8 4-Bbl.
S .....	400" V8 2-Bbl.
T .....	200" 6-Cyl. 2-Bbl.
Y .....	2300cc 4-Cyl. 2-Bbl.
Z .....	2800cc V6 2-Bbl.

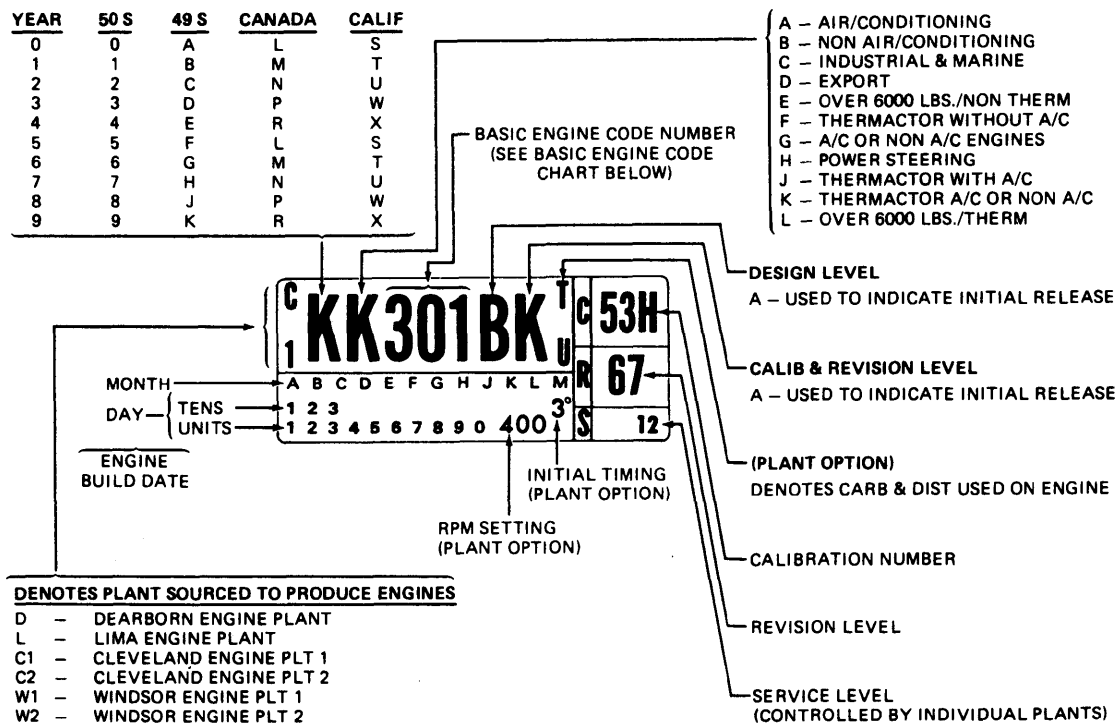


Fig. 2 Ford Motor Co. Engine Label

# Oldsmobile & Pontiac

## 1977 OLDSMOBILE

**Engine Codes** – Engine codes are found in the following locations:

- 140" 4-Cyl. – On machined pad at right side of block above starter.
- 231" V6 – Right side of block near water pump and on front of left rocker arm cover.
- 260", 350" (Except VIN "L") & 403" V8 – Stamped on code tape located on oil filler tube.
- 305" & 350" V8 (VIN "L") – Pad at front right side of block.

## 1977 PONTIAC

**Engine Codes** – Engine codes are found in the following locations:

- 140" 4-Cyl. – On machined pad at right side of block above starter.
- 150" 4-Cyl. – On distributor mounting pad.
- 231" V6 – Right side of block near water pump.
- 301", 350", 400" V8 (VIN "Y, P, Z") – Pad at front right side of block below head.
- 350" & 403" V8 (VIN "R, K") – On oil filler tube.
- 305", 350" V8 (VIN "L, U") – Machined pad on front block below right head.

# 1977 ENGINE IDENTIFICATION Oldsmobile & Pontiac (Cont.)

## 1977 OLDSMOBILE

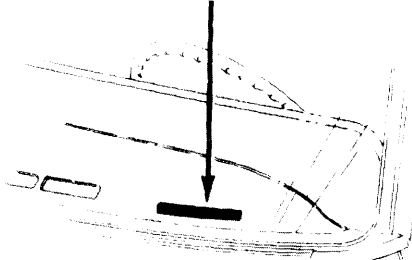
Engine Code	Displ. & Carb.
CBS,CAY,CBT (Federal)	140" 4 Cyl. 2-Bbl.
CBS,CBT (Hi.Alt.)	140" 4 Cyl. 2-Bbl.
CBK,CAZ,CBL (Calif.)	140" 4 Cyl. 2-Bbl.
SA,SD,SW,SG,SI (Federal)	231" V6 2-Bbl.
SF,SN,SM (Hi.Alt.)	231" V6 2-Bbl.
SB,SE,SY,SU,SL,SK (Calif.)	231" V6 2-Bbl.
QS,QT,QC,QD,QE,QJ,QU,QV (Federal)	260" V8 2-Bbl.
CRL,CPA,CPY (Federal)	305" V8 2-Bbl.
CRT (Hi.Alt.)	305" V8 2-Bbl.
CRM,CRS (Calif.)	305" V8 2-Bbl.
CHY,CUB,QQ,QL,QN,QO,QP,QQ (Federal)	350" V8 4-Bbl.
CKM,Q2,Q3,Q7,Q6,Q8,Q9 (Hi.Alt.)	350" V8 4-Bbl.
CKR,TX,TY,TB,TC,TN,TO,TU,TV (Calif.)	350" V8 4-Bbl.
UJ,UK,UL,UN,UE (Federal)	403" V8 4-Bbl.
U2,U3,U6 (Hi.Alt.)	403" V8 4-Bbl.
VA,VB,VJ,VK,VE (Calif.)	403" V8 4-Bbl.

## 1977 PONTIAC

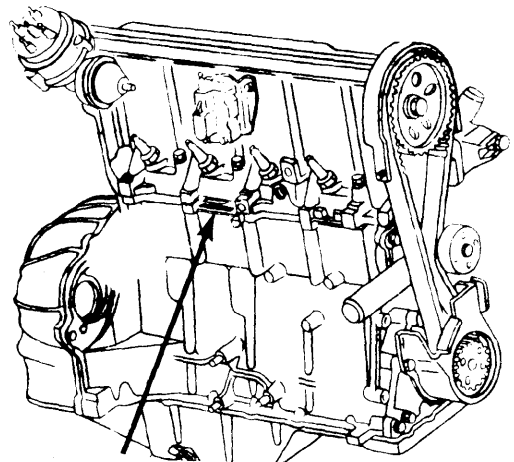
Engine Code	Displ. & Carb.
CBS,CBZ,CAY,CBT (Federal)	140" 4 Cyl. 2-Bbl.
CAA,CAB (Hi.Alt.)	140" 4 Cyl. 2-Bbl.
CBK,CBY,CAZ (Calif.)	140" 4 Cyl. 2-Bbl.
YL,YM,WF,WH,YR,YS,WC,WD (Federal)	151" 4 Cyl. 2-Bbl.
ZJ,ZH,ZP,ZN (Calif.)	151" 4 Cyl. 2-Bbl.
SA,SG,SD,SI,SJ,RH (Federal)	231" V6 2-Bbl.
SX,SM,SN (Hi.Alt.)	231" V6 2-Bbl.
SB,SU,SY,SK,SL (Calif.)	231" V6 2-Bbl.
YW,YH,YK,WB, (Federal)	301" V8 2-Bbl.
CPY,CEB,CPR,CED (Federal)	305" V8 2-Bbl.
YA,YB,XB,XC,Y9,QP,QQ (Federal)	350" V8 4-Bbl.
CKM,Q2,Q3,Q6,Q7,Q8,Q9,Q4,Q5 (Hi.Alt.)	350" V8 4-Bbl.
TN,TO,TK,TL,TS,TT,TX,TV,CKR (Calif.)	350" V8 4-Bbl.
WA,XH,XJ,XD,XF,XA,Y6,Y7,XK (Federal)	400" V8 4-Bbl.
VA,UB (Federal)	403" V8 4-Bbl.
U2,U3 (Hi. Alt.)	403" V8 4-Bbl.
VA,VB,VJ,VK (Calif.)	403" V8 4-Bbl.



VIN CODE



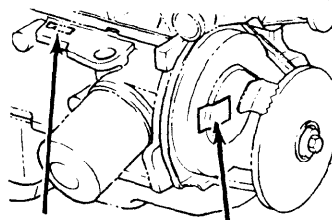
INSTRUMENT PANEL



LOCATION

140" 4 CYL.

ENGINE BLOCK

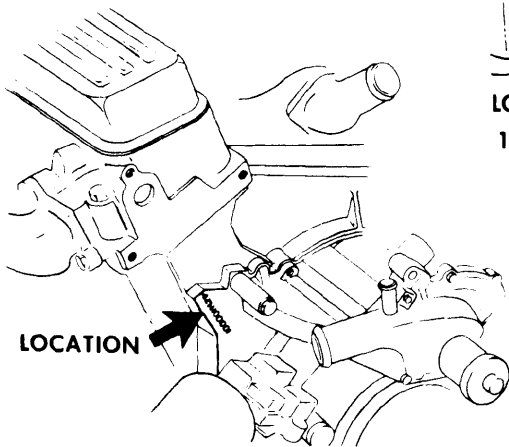


LOCATION

151" 4 CYL.

IDENTIFICATION LABEL

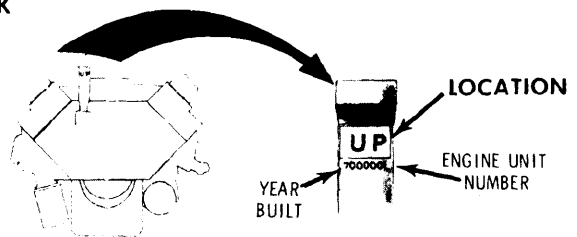
ENGINE BLOCK



LOCATION

V6

ENGINE BLOCK



LOCATION

YEAR BUILT

ENGINE UNIT NUMBER

V8

Fig. 1 V.I.N. & Engine Code Locations  
Oldsmobile & Pontiac