

1977 ENGINE IDENTIFICATION American Motors

1977 MODELS

Engine Code Location — Engine code letter is seventh digit in thirteen digit Vehicle Identification Number, stamped on a metal plate which is riveted into a depression at upper left corner of instrument panel and is also printed on a non-removable label affixed to left front door adjacent to door latch. Engine codes may also be found on engines as follows:

4 Cyl. Engine Code Number — Located on machined flange at left rear of block adjacent to oil level indicator. Letter contained in code number identifies engine by CID, carburetor type and compression ratio.

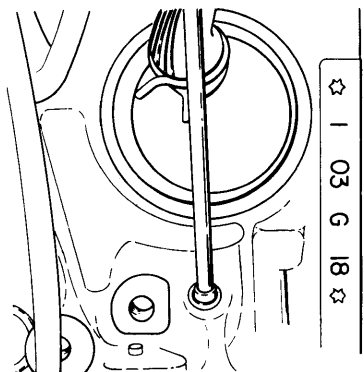


Fig. 1 4 Cylinder Engine Code Location

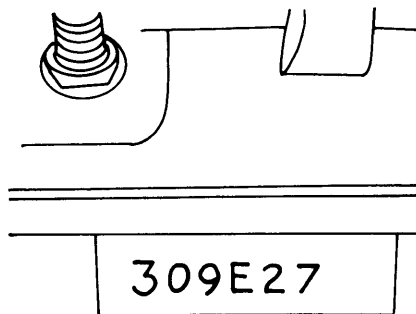


Fig. 2 6 Cylinder Engine Code Location

V8 Engine Code Number — Located on a tag which is attached to right bank cylinder head cover. Letter contained in code number identifies engine by cubic inch displacement, carburetor type and compression ratio.

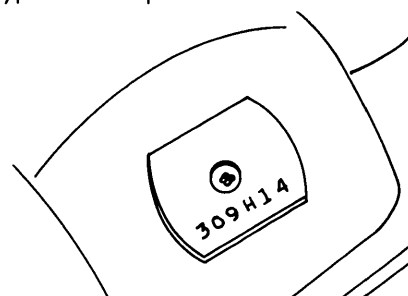


Fig. 3 V8 Engine Code Location

Engine Code	Displ. & Carb.
A	258" 6 Cyl. 1-Bbl.
C	258" 6 Cyl. 2-Bbl.
E	232" 6 Cyl. 1-Bbl.
G	121" 4 Cyl. 2-Bbl.
H	304" V8 2-Bbl.
N	360" V8 2-Bbl.

Buick

1977 MODELS

V6 Engine Code Location — Located on pad on left side of engine block below first two spark plugs.

V8 Engine Code Location — All 301", 305" and some 350" engines have engine code stamped on right side front of block to rear of water pump. Some 350" and all 403" engines have number code stamped on front of block to left side of water pump.

Engine Code	Displ. & Carb.
SA,SB,SD,SG,SI,SJ,SK,SL,SM, SN,SO,ST,SU,SX,SY	231" V6 2-Bbl.
YF,YJ,YW,YX	301" V8 2-Bbl.
CPA,CPY	305" V8 2-Bbl.
FA,FB	350" V8 2-Bbl.
CKR,CKM,FC,FD,FL,QQ,QL,QP,QQ, Q2,Q3,Q6,Q7,Q8,Q9,TK,TL,TN, TO,TX,TY,UA,UB,U2,U3,VA,VB,VJ,VK	350" V8 4-Bbl.

Cadillac

1977 MODELS

Engine Code Location — Engine code letter is fifth digit in a thirteen digit Vehicle Identification Number, stamped on a metal plate which is riveted onto upper left corner of instrument panel and visible from outside vehicle. The code letter is also stamped on left front of block next to water pump on 350" engines, or on left rear of block behind intake manifold on 425" engines.

Engine Code	Displ. & Carb.
R	350" V8 E.F.I
S	425" V8 Carb.
T	425" V8 E.F.I

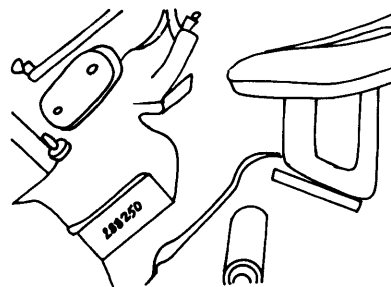


Fig. 1 Engine Code Location 425" V8