

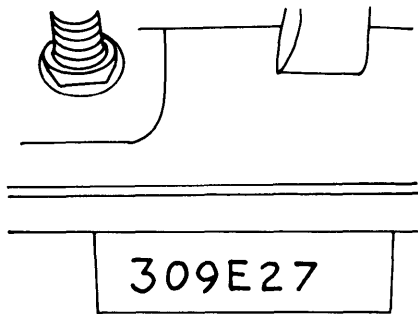
1976 ENGINE IDENTIFICATION

American Motors

1976 MODELS

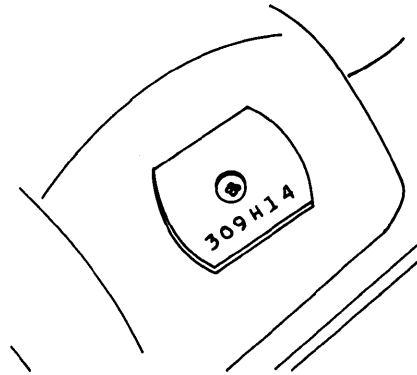
Engine Code Location — Engine code letter is seventh digit in thirteen digit Vehicle Identification Number, stamped on a metal plate which is riveted into a depression at upper left corner of instrument panel and is also printed on a non-removable label affixed to left front door adjacent to door latch. Engine codes may also be found on engines as follows:

6 Cyl. Engine Code Number — Located on a machined surface of the block between number two and three cylinders. Letter contained in code number identifies engine by cubic inch displacement, carburetor type and compression ratio.



6 CYLINDER ENGINE CODE LOCATION

V8 Engine Code Number — Located on a tag which is attached to right bank cylinder head cover. Letter contained in code number identifies engine by cubic inch displacement, carburetor type and compression ratio.



V8 ENGINE CODE LOCATION

Engine Code	Displ. & Carb.
A	258" 6 Cyl. 1-Bbl.
C	258" 6 Cyl. 2-Bbl.
E	232" 6 Cyl. 1-Bbl.
H	304" V8 2-Bbl.
N	360" V8 2-Bbl.
P	360" V8 4-Bbl.
Z	401" V8 4-Bbl.

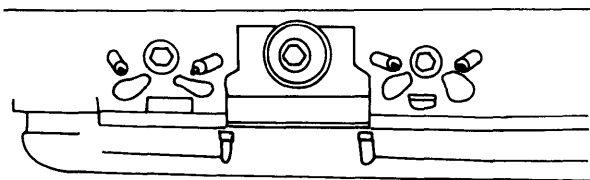
Buick

1976 MODELS

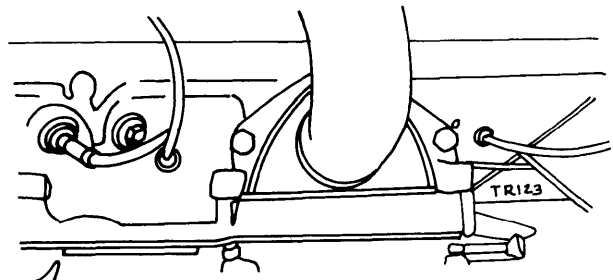
V6 Engine Code Location — Located on pad on left side of engine block below first two spark plugs.

V8 Engine Code Location — On 260" V8 engines a code tape is located on the oil dipstick tube. On 350" V8 engines number is located on left side of engine block, below front two spark plugs. On 455" V8 engines number is located on left side of engine block below rear two spark plugs.

Engine Code	Displ. & Carb.
FA,FB,FC,FD,FE, FH,FI,FP,FR (Federal)	231" V6 2-Bbl.
FF,FG,FJ,FO (Calif.)	231" V6 2-Bbl.
QA,QB,QC,QD (Federal)	260" V8 2-Bbl.
TE,TJ (Calif.)	260" V8 2-Bbl.
PA,PB,PC,PD (Federal)	350" V8 2-Bbl.
PE,PF,PT,PU (Federal)	350" V8 4-Bbl.
PK,PL,PM,PN, PR,PS (Calif.)	350" V8 4-Bbl.
SA (Federal)	455" V8 4-Bbl.
SB (Calif.)	455" V8 4-Bbl.



350" V8 ENGINE CODE LOCATION



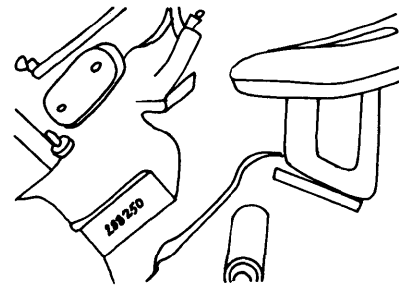
455" V8 ENGINE CODE LOCATION

1976 ENGINE IDENTIFICATION Cadillac

1976 MODELS

Engine Code Location — Engine code letter is fifth digit in a thirteen digit Vehicle Identification Number, stamped on a metal plate which is riveted onto upper left corner of instrument panel and visible from outside vehicle. The code letter is also stamped on left front of block next to water pump on 350" engines, or on left rear of block behind intake manifold on 500" engines.

Engine Code	Displ. & Carb.
R	350" V8
S	500" V8

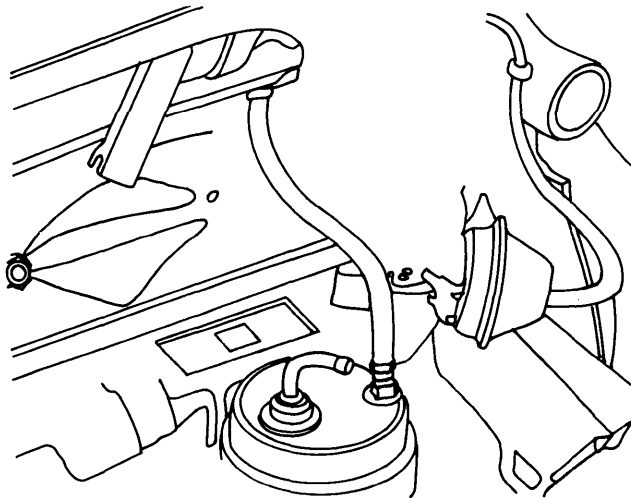


ENGINE SERIAL & VIN NUMBER LOCATION
(500" V8 SHOWN)

Chevrolet

1976 MODELS

4 Cylinder Engine Code Location — Code letters are suffix of Engine Identification Number which is located on right side of block above starter on 140" engine and on a pad on right side of block below #1 spark plug on 1400 cc and 1600 cc engines.



6 CYL. ENGINE CODE LOCATION

6 Cylinder Engine Code Location — Code letters are stamped on a pad located at right side of cylinder block to rear of distributor mounting pad.

V8 Engine Code Location — Code letters are stamped on a machined pad on front right side of engine block.

Engine Code	Displ.
CVA,CVB,CDS,CDU (Federal)	1400 cc 4 Cyl.
CDD,CDT (Calif.)	1400 cc 4 Cyl.
CNA,CNB,CYC,CYD (Federal)	1600 cc 4 Cyl.
CNJ,CNK,CYJ,CYK, CYW,CYX (Calif.)	1600 cc 4 Cyl.
CBS,CBT,CBU,CBW (Federal)	140" 4 Cyl.
CBK (Calif.)	140" 4 Cyl.
CCB,CCD,CCF,CCJ (Federal)	250" 6 Cyl.
CCC (Calif.)	250" 6 Cyl.
CZU,CZW (Federal)	262" V8
CPA,CPB,CPK (Federal)	305" V8
CPI,CPL (Calif.)	305" V8
CHC,CHS,CHT,CHU,CKC, CKU,CKW,CKX,CKY CLF,CMJ (Federal)	350" V8
CKK,CKZ,CLH,CLS,CMH, CML,CMM,CUF (Calif.)	350" V8
CSW,CSX (Federal)	400" V8
CSA,CSB,CSF, CSJ,CTL (Calif.)	400" V8
CXX,CXY (Federal)	454" V8

Chrysler Corp.

1976 MODELS

Engine Code Location — Fifth digit of thirteen digit serial number, stamped on the Vehicle Identification Plate and located on top of instrument panel visible through windshield, identifies engine.

Engine Serial Number Location — On 225", 400" and 440" engines, first digit indicates model year, next three digits designate displacement. On 318" and 360" engines, first digit indicates model year, next letter designates manufacturing

plant and the next three digits designate displacement. Engine serial number is located as follows:

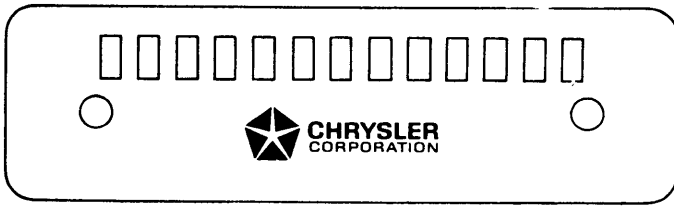
225" 6 Cyl. — Located on right side of block below number one spark plug.

318" & 360" V8 — Located on left front of block below cylinder head.

400" V8 — Located on cylinder block just forward of number two cylinder bore and adjacent to distributor.

440" V8 — Left bank, pad adjacent to front tappet rail.

1976 ENGINE IDENTIFICATION Chrysler Corp. (Cont.)



CHRYSLER CORP.
VEHICLE IDENTIFICATION PLATE

Engine Code

Displ. & Carb.

C	225" 6 Cyl. 1-Bbl.
G	318" V8 2-Bbl.
J	360" V8 4-Bbl.
K	360" V8 2-Bbl.
L	360" V8 4-Bbl. Hi Perf
M	400" V8 2-Bbl.
N	400" V8 4-Bbl.
P	400" V8 4-Bbl. Hi Perf
T	440" V8 4-Bbl.
U	440" V8 4-Bbl. Hi Perf

Ford Motor Co.

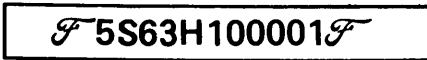
1976 MODELS

Engine Code Location — Engine code letter or number is fifth digit in eleven digit Vehicle Identification Number stamped on a tag on left front door lock face panel or on metal tab riveted to instrument panel close to windshield on drivers side and visible from outside vehicle.

Engine Code

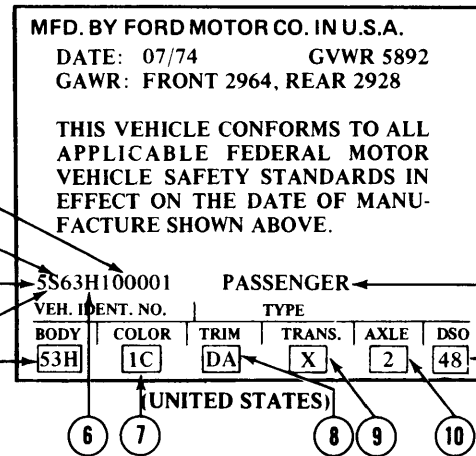
Displ. & Carb.

A	460" V8 4-Bbl.
C	460" V8 4-Bbl. Police
F	302" V8 2-Bbl.
H	351" V8 2-Bbl.
L	250" 6 Cyl. 1-Bbl.
S	400" V8 2-Bbl.
T	200" 6 Cyl. 1-Bbl.
Y	2300 cc 4 Cyl. 2-Bbl.
Z	2800 cc V6 2-Bbl.



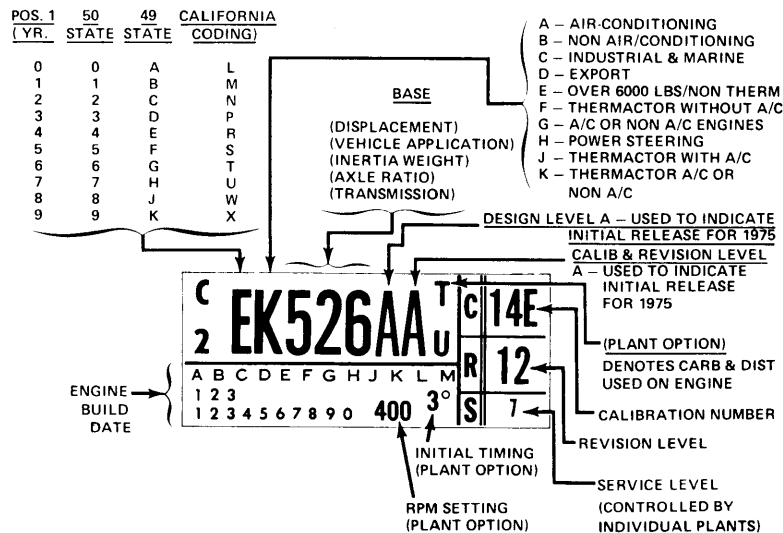
VEHICLE IDENTIFICATION NUMBER PLATE

Engine Label — An engine identification label is located on front of rocker cover. Label describes CID, model year, year and month of production, change level number and engine calibration information.



- 1 CONSECUTIVE UNIT NO.
- 2 BODY SERIAL CODE
- 3 MODEL YEAR CODE
- 4 ASSEMBLY PLANT CODE
- 5 BODY TYPE CODE
- 6 ENGINE CODE
- 7 COLOR CODE
- 8 TRIM CODE
- 9 TRANSMISSION CODE
- 10 REAR AXLE CODE
- 11 DISTRICT - SPECIAL EQUIPMENT
- 12 VEHICLE TYPE

FORD MOTOR CO. VEHICLE CERTIFICATION LABEL



FORD MOTOR CO. ENGINE LABEL

1976 ENGINE IDENTIFICATION Oldsmobile

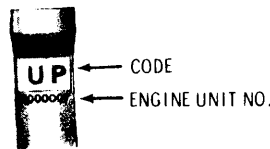
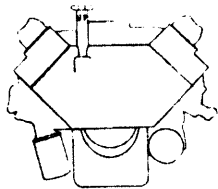
1976 MODELS

4 Cylinder Engine Code Location — Code letters are located on a pad at right side of cylinder block just above starter.

6 Cylinder Engine Code Location — Code letters are stamped on a pad located at right side of cylinder block to rear of distributor mounting pad.

V6 Engine Code Location — Code letters are stamped on right front side of block near water pump. A code letter tape is also placed on the front of left valve cover.

V8 Engine Code Location — Code letters are stamped on a code tape located on oil filler tube on 260", 350" (except



V8 ENGINE CODE LOCATION

Omega) and 455" engines. Omega 350" engine number is stamped on right front side of block near water pump. A code letter tape is also placed on front of the left valve cover.

Engine Code	Displ. & Carb.
CAZ,CBS,CBT,CBZ (Federal)	140" 4 Cyl. 2-Bbl.
CAY,CBK,CBL,CBY (Calif.)	140" 4 Cyl. 2-Bbl.
CCD,CCF,CCH,CCJ (Federal)	250" 6 Cyl. 1-Bbl.
CCC,CCL (Calif.)	250" 6 Cyl. 1-Bbl.
FH,FI (Federal)	231" V6 2-Bbl.
FJ,FO (Calif.)	231" V6 2-Bbl.
QA,QD,QK,QN, QC,QP,QT,Q7	
Q8,QB (Federal)	260" V8 2-Bbl.
TA,TD,TK,TN,TE,TJ, TP,TT,T2,T3,T4,T5, T7,T8 (Calif.)	260" V8 2-Bbl.
PA,PB (Federal)	350" V8 2-Bbl.
PE,PF,Q2,Q3, Q4,Q5,Q6 (Federal)	350" V8 4-Bbl.
PM,PN,TL,TO, TW,TY,TX (Calif.)	350" V8 4-Bbl.
UE,UD,UB,UC,U3,U4, U5,U6,U7,U8 (Federal)	455" V8 4-Bbl.
VB,VD,VE,V3 V4,V5 (Calif.)	455" V8 4-Bbl.

Pontiac

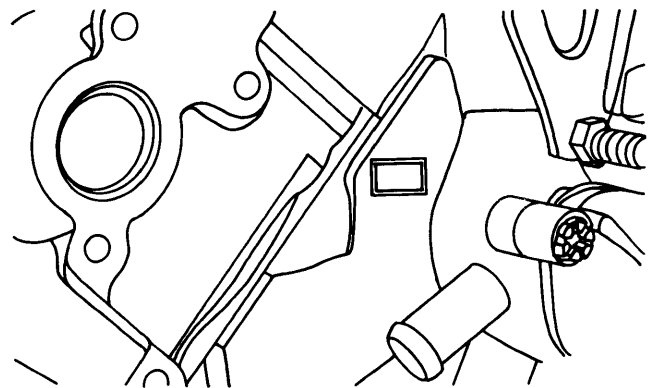
1976 MODELS

4 Cylinder Engine Code Location — Code letters are stamped on a pad located at right side of cylinder block above starter.

V6 Engine Code Location — Code is located on front right-side of block near the water pump.

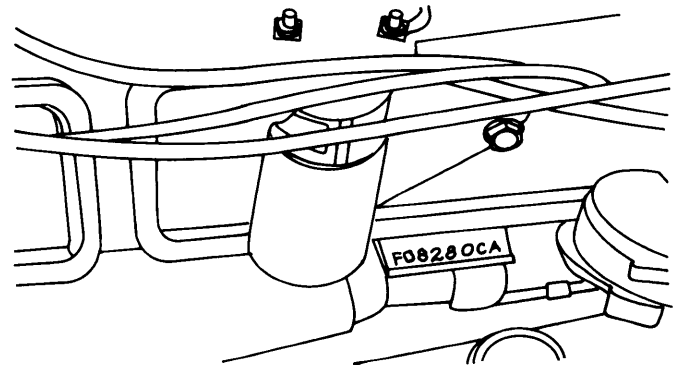
6 Cylinder Engine Code Location — Code is stamped on distributor mounting pad on right side of engine.

V8 Engine Code Location — On all engines except 260" V8 engine code number is located on a machined pad on right side of engine block. On 260" V8 engine, code number is on tape attached to oil filler pipe.



**V8 ENGINE CODE LOCATION
(EXCEPT 260" V8)**

Engine Code	Displ. & Carb.
CBH,CBJ (Federal)	140" 4 Cyl. 1-Bbl.
CBS,CBT (Federal)	140" 4 Cyl. 2-Bbl.
CBK,CBL (Calif.)	140" 4 Cyl. 2-Bbl.
FI,FK,FH,FM (Federal)	231" V6 2-Bbl.
FJ,FO (Calif.)	231" V6 2-Bbl.
CD,CF (Federal)	250" 6 Cyl. 1-Bbl.
CC (Calif.)	250" 6 Cyl. 1-Bbl.
QA,QB,QC,QD (Federal)	260" V8 2-Bbl.
TE,TJ (Calif.)	260" V8 2-Bbl.
YA,YP,YB,YR,PA, PB,PO,XN,XH (Federal)	350" V8 2-Bbl.
PE,PF,PP (Federal)	350" V8 4-Bbl.
ZX,PM,PN (Calif.)	350" V8 4-Bbl.
YC,YJ (Federal)	400" V8 2-Bbl.
WT,YS,YA,YT, Y6,Y7 (Federal)	400" V8 4-Bbl.
ZA,ZK (Calif.)	400" V8 4-Bbl.
WX,Y3,Y4,Y8 (Federal)	455" V8 4-Bbl.
Z3,Z4,ZB (Calif.)	455" V8 4-Bbl.



6 CYL. ENGINE CODE LOCATION