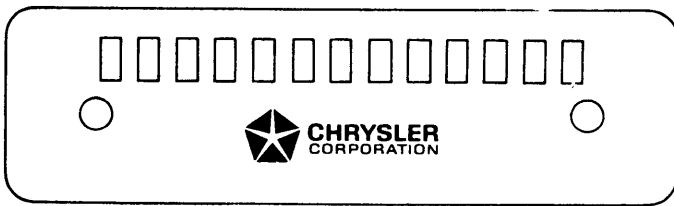


1976 ENGINE IDENTIFICATION Chrysler Corp. (Cont.)



CHRYSLER CORP.
VEHICLE IDENTIFICATION PLATE

Engine Code

Displ. & Carb.

C	225" 6 Cyl. 1-Bbl.
G	318" V8 2-Bbl.
J	360" V8 4-Bbl.
K	360" V8 2-Bbl.
L	360" V8 4-Bbl. Hi Perf
M	400" V8 2-Bbl.
N	400" V8 4-Bbl.
P	400" V8 4-Bbl. Hi Perf
T	440" V8 4-Bbl.
U	440" V8 4-Bbl. Hi Perf

Ford Motor Co.

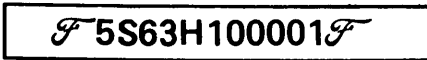
1976 MODELS

Engine Code Location — Engine code letter or number is fifth digit in eleven digit Vehicle Identification Number stamped on a tag on left front door lock face panel or on metal tab riveted to instrument panel close to windshield on drivers side and visible from outside vehicle.

Engine Code

Displ. & Carb.

A	460" V8 4-Bbl.
C	460" V8 4-Bbl. Police
F	302" V8 2-Bbl.
H	351" V8 2-Bbl.
L	250" 6 Cyl. 1-Bbl.
S	400" V8 2-Bbl.
T	200" 6 Cyl. 1-Bbl.
Y	2300 cc 4 Cyl. 2-Bbl.
Z	2800 cc V6 2-Bbl.



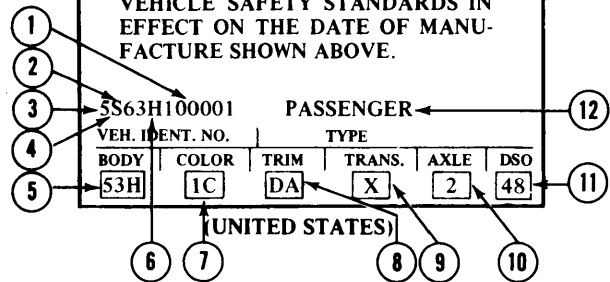
VEHICLE IDENTIFICATION NUMBER PLATE

Engine Label — An engine identification label is located on front of rocker cover. Label describes CID, model year, year and month of production, change level number and engine calibration information.

MFD. BY FORD MOTOR CO. IN U.S.A.

DATE: 07/74 GVWR 5892
GAWR: FRONT 2964, REAR 2928

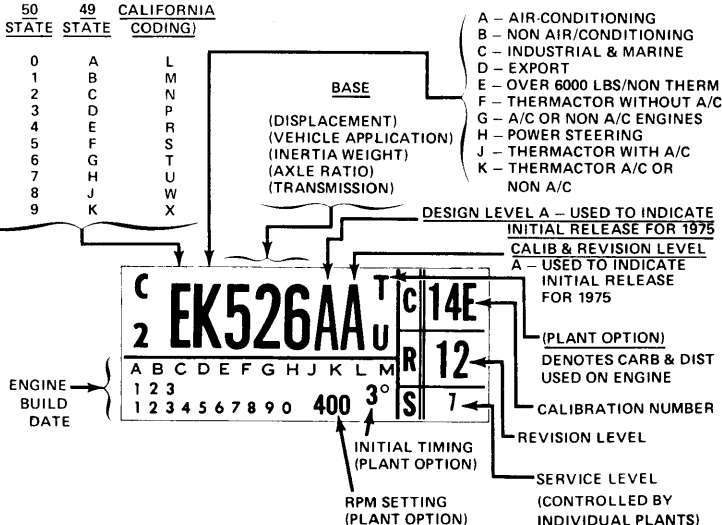
THIS VEHICLE CONFORMS TO ALL APPLICABLE FEDERAL MOTOR VEHICLE SAFETY STANDARDS IN EFFECT ON THE DATE OF MANUFACTURE SHOWN ABOVE.



- 1 CONSECUTIVE UNIT NO.
- 2 BODY SERIAL CODE
- 3 MODEL YEAR CODE
- 4 ASSEMBLY PLANT CODE
- 5 BODY TYPE CODE
- 6 ENGINE CODE
- 7 COLOR CODE
- 8 TRIM CODE
- 9 TRANSMISSION CODE
- 10 REAR AXLE CODE
- 11 DISTRICT - SPECIAL EQUIPMENT
- 12 VEHICLE TYPE

FORD MOTOR CO. VEHICLE CERTIFICATION LABEL

POS. 1	50	49	CALIFORNIA
(YR.)	STATE	STATE	CODING)
0	0	A	L
1	1	B	M
2	2	C	N
3	3	D	P
4	4	E	R
5	5	F	S
6	6	G	T
7	7	H	U
8	8	J	W
9	9	K	X



FORD MOTOR CO. ENGINE LABEL