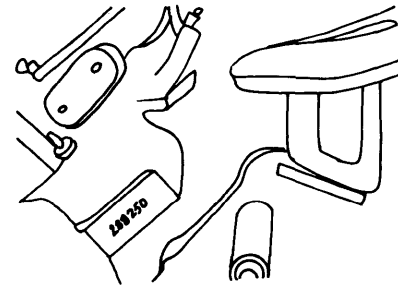


1975 ENGINE IDENTIFICATION Cadillac

1975 MODELS

Engine Code Location — Engine code letter is fifth digit in a thirteen digit Vehicle Identification Number, stamped on a metal plate which is riveted onto upper left hand corner of instrument panel and visible from outside vehicle. Number is also stamped on block behind intake manifold.



ENGINE SERIAL & VIN NUMBER LOCATION

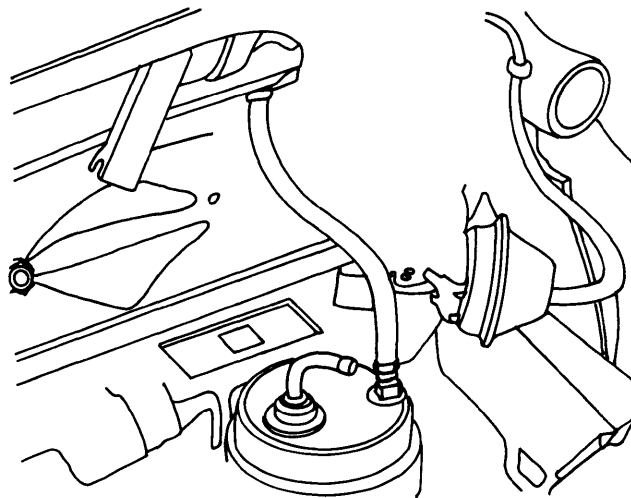
Engine Code	Displ. & Carb.
S	500" V8 4-Bbl.

Chevrolet

1975 MODELS

4 Cylinder Engine Code Location — Code letters are stamped on a pad located at right side of cylinder block to rear of distributor mounting pad.

6 Cylinder Engine Code Location — Code letters are stamped on a pad located at right side of cylinder block to rear of distributor mounting pad.



6 CYL. ENGINE CODE LOCATION

V8 Engine Code Location — Code letters are stamped on a machined pad on front right side of engine block.

Engine Code	Displ.
CAM, CAS, CAW, CBB, CBD, CAR, CAT, CAU, CBC, CBF	140" 4 Cyl.
CZA, CZB, CZC, CZD, CZF, CZH, CZJ, CZK, CZL, CZM, CZT, CZU, CZW	262" V8
CJL, CJM, KJR, CJS, CJT, CJU	250" 6 Cyl.
CMU, CMX, CMY, CRQ, CRC, CRD, CRF, CRR, CRS, CRT, CRW, CRX, CRY, CRZ, CUC, CUH, CUJ, CUK, CUL, CUM, CUS, CUT, CRJ, CRK, CRL, CRM, CUA, CUB, CUD	350" V8
CHS, CSH, CSR, CSS, CST, CTL, CTM, CTR, CTS	400" V8
CXK, CXL, CXW, CXX, CXY	454" V8

Chrysler Corp.

1975 MODELS

Engine Code Location — Fifth digit of thirteen digit serial number, stamped on the Vehicle Identification Plate and located on top of instrument panel visible through windshield, identifies engine.

Engine Serial Number Location — On 225", 400" and 440" engines, first digit indicates model year, next three digits designate displacement. On 318" and 360" engines, first digit indicates model year, next letter designates manufacturing

plant and the next three digits designate displacement. Engine serial number is located as follows:

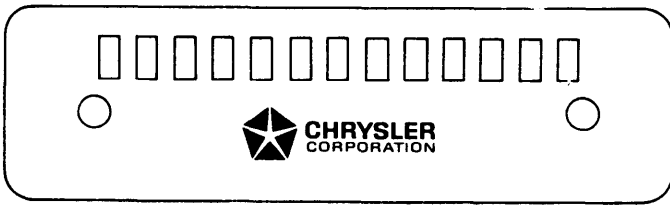
225" 6 Cyl. — Located on right side of block below number one spark plug.

318" & 360" V8 — Located on left front of block below cylinder head.

400" V8 — Located on cylinder block just forward of number two cylinder bore and adjacent to distributor.

440" V8 — Left bank, pad adjacent to front tappet rail.

1975 ENGINE IDENTIFICATION Chrysler Corp. (Cont.)



CHRYSLER CORP.
VEHICLE IDENTIFICATION PLATE

Engine Code

Displ. & Carb.

C	225" 6 Cyl. 1-Bbl.
G	318" V8 2-Bbl.
J	360" V8 4-Bbl.
K	360" V8 2-Bbl.
L	360" V8 4-Bbl. Hi Perf
M	400" V8 2-Bbl.
N	400" V8 4-Bbl.
T	440" V8 4-Bbl.
U	440" V8 4-Bbl. Hi Perf

Ford Motor Co.

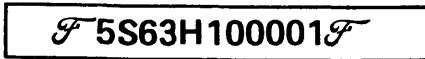
1975 MODELS

Engine Code Location — Engine code letter or number is fifth digit in eleven digit Vehicle Identification Number stamped on a tag on left front door lock face panel or on metal tab riveted to instrument panel close to windshield on drivers side and visible from outside vehicle.

Engine Code

Displ. & Carb.

A	460" V8 4-Bbl.
C	460" V8 4-Bbl. Police
F	302" V8 2-Bbl.
H	351" V8 2-Bbl.
L	250" 6 Cyl. 1-Bbl.
S	400" V8 2-Bbl.
Y	2300 cc 4 Cyl. 2-Bbl.
Z	2800 cc V6 2-Bbl.

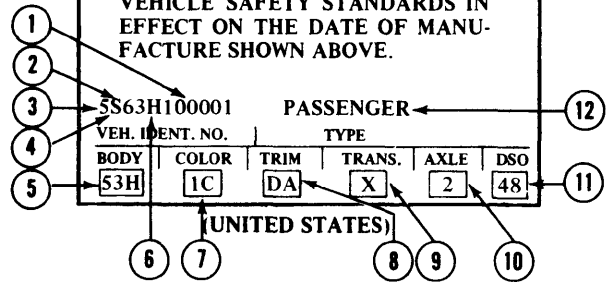


VEHICLE IDENTIFICATION NUMBER PLATE

Engine Label — An engine identification label is located on front of rocker cover. Label describes CID, model year, year and month of production, change level number and engine calibration information.

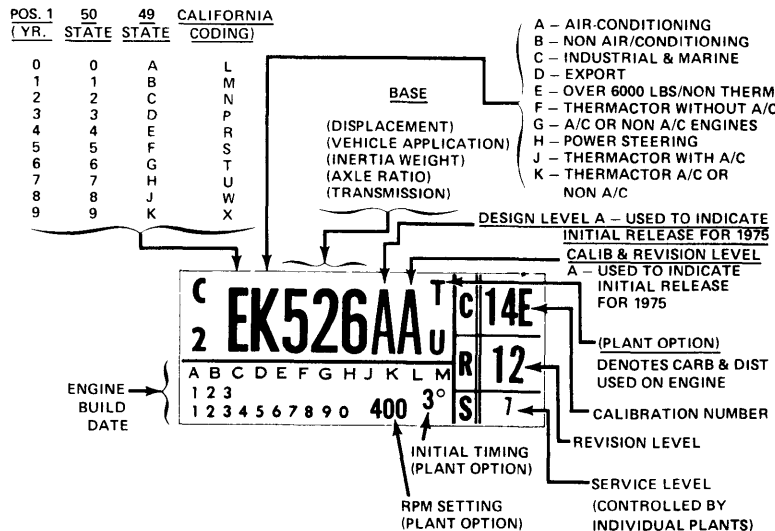
MFD. BY FORD MOTOR CO. IN U.S.A.
DATE: 07/74 GVWR 5892
GAWR: FRONT 2964, REAR 2928

THIS VEHICLE CONFORMS TO ALL APPLICABLE FEDERAL MOTOR VEHICLE SAFETY STANDARDS IN EFFECT ON THE DATE OF MANUFACTURE SHOWN ABOVE.



- ① CONSECUTIVE UNIT NO.
- ② BODY SERIAL CODE
- ③ MODEL YEAR CODE
- ④ ASSEMBLY PLANT CODE
- ⑤ BODY TYPE CODE
- ⑥ ENGINE CODE
- ⑦ COLOR CODE
- ⑧ TRIM CODE
- ⑨ TRANSMISSION CODE
- ⑩ REAR AXLE CODE
- ⑪ DISTRICT - SPECIAL EQUIPMENT
- ⑫ VEHICLE TYPE

FORD MOTOR CO. VEHICLE CERTIFICATION LABEL



FORD MOTOR CO. ENGINE LABEL