

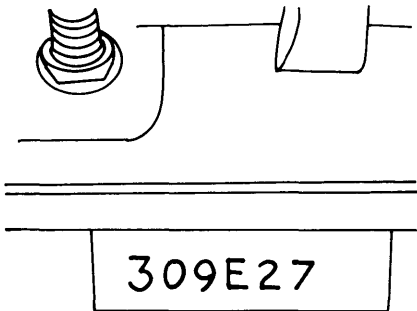
1975 ENGINE IDENTIFICATION

American Motors

1975 MODELS

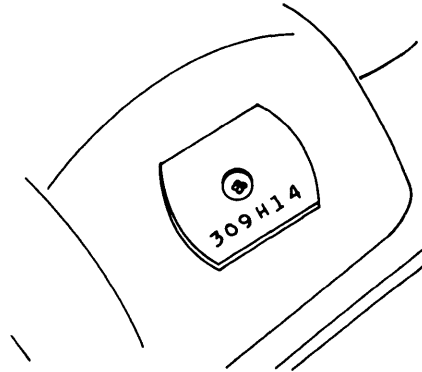
Engine Code Location — Engine code letter is seventh digit in thirteen digit Vehicle Identification Number, stamped on a metal plate which is riveted into a depression at upper left corner of instrument panel and is also printed on a non-removable label affixed to left front door adjacent to door latch. Engine codes may also be found on engines as follows:

6 Cyl. Engine Code Number — Located on a machined surface of the block between number two and three cylinders. Letter contained in code number identifies engine by cubic inch displacement, carburetor type and compression ratio.



6 CYLINDER ENGINE CODE LOCATION

V8 Engine Code Number — Located on a tag which is attached to right bank cylinder head cover. Letter contained in code number identifies engine by cubic inch displacement, carburetor type and compression ratio.



V8 ENGINE CODE LOCATION

Engine Code	Displ. & Carb.
A	258" 6 Cyl. 1-Bbl.
E	232" 6 Cyl. 1-Bbl.
H	304" V8 2-Bbl.
N	360" V8 2-Bbl.
P	360" V8 4-Bbl.
Z	401" V8 4-Bbl.

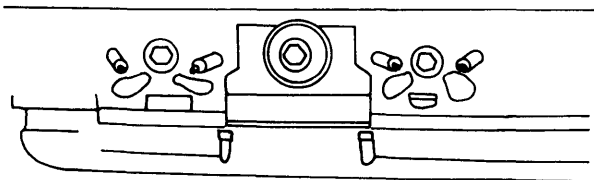
Buick

1975 MODELS

6 Cylinder Engine Code Location — Code letters are stamped on a pad located at right side of cylinder block to rear of distributor mounting pad.

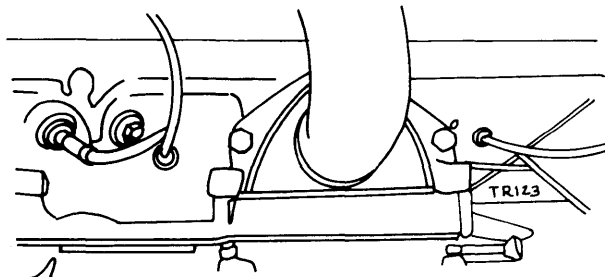
V6 Engine Code Location — Located on pad on left side of engine block below first two spark plugs.

V8 Engine Code Location — On 260" V8 engines a code tape is located on the oil dipstick tube. On 350" V8 engines number is located on left side of engine block, below front two spark plugs. On 455" V8 engines number is located on left side of engine block below rear two spark plugs.



350" V8 ENGINE CODE LOCATION

Engine Code	Displ. & Carb.
D	250" 6 Cyl. 1-Bbl.
AD	231" V6 2-Bbl.
QE, QJ, TE, TJ	260" V8 2-Bbl.
AB	350" V8 2-Bbl.
AM	350" V8 4-Bbl.
AF	455" V8 4-Bbl.



455" V8 ENGINE CODE LOCATION