

1978 EXHAUST EMISSION SYSTEMS

General Motors Vacuum Diagrams

GENERAL MOTORS VACUUM DIAGRAM REFERENCE CHART						
Engine & Model	Application	Transmission	A/C	Non A/C	Other Equipment	Fig No
BUICK						
196" (VIN C) V6 All Models	Federal	Auto	X	V	2-Bbl	1
231" (VIN A) V6 All Models	Federal	Auto	X	X	2-Bbl	1
196" (VIN C) V6 All Models	Federal	Man	X	X	2-Bbl	2
231" (VIN A) V6 All Models	Federal	Man	X	X	2-Bbl	2
231" (VIN A) V6 All Models	Calif	All	X	X	2-Bbl	3
231" (VIN A) V6 All Models	High Alt	All	X	X	2-Bbl	4
231" (VIN G) V6 All Models	Federal	Auto		X	Turbo	5
231" (VIN 3) V6 All Models	Fed & H A	Auto	X	X	Turbo	6
301" (VIN Y) V8 All Models	Federal	Auto		X	4-Bbl	7
301" (VIN Y) V8 All Models	Federal	Auto	X		2-Bbl	8
305" (VIN U) V8 Century, Regal	Federal	Auto	X	X	2-Bbl	9
305" (VIN U) V8 Century, Regal	Calif & H A	Auto	X	X	2-Bbl	10
305" (VIN U) V8 LeSabre, Estate Wag, Riviera	Calif	Auto	X	X	2-Bbl	11
305" (VIN H) V8 Century, Regal	Federal	Auto	X	X	4-Bbl	12
350" (VIN L) V8 Century, Regal	High Alt	Auto	X	X	4-Bbl	13
350" (VIN X) V8 Century, Regal	Federal	Auto	X	X	4-Bbl	14
350" (VIN R) V8 LeSabre, Estate Wag, Riviera, Electra	Federal	Auto	X	X	4-Bbl	15
403" (VIN K) V8 LeSabre, Estate Wag, Riviera, Electra	Federal	Auto	X	X	4-Bbl	15
350" (VIN R) V8 LeSabre, Estate Wag, Riviera, Electra	Calif	Auto	X	X	4-Bbl	16
403" (VIN K) V8 LeSabre, Estate Wag, Riviera, Electra	Calif	Auto	X	X	4-Bbl	16
350" (VIN R) V8 LeSabre, Estate Wag, Riviera, Electra	High Alt	Auto	X	X	4-Bbl	17
403" (VIN K) V8 LeSabre, Estate Wag, Riviera, Electra	High Alt	Auto	X	X	4-Bbl	17
CADILLAC						
350" V8 Brougham, DeVille	Federal	Auto	X		Carburetor	18
425" V8 Brougham, DeVille	Federal	Auto	X		Carburetor	18
350" V8 All Models	High Alt	Auto	X		Carburetor	19
425" V8 All Models	High Alt	Auto	X		Carburetor	19
350" V8 Eldorado, Limo, Commercial	Federal	Auto	X		Carburetor	20
425" V8 Eldorado, Limo, Commercial	Federal	Auto	X		Carburetor	20
350" V8 All Models	Calif	Auto	X		Carburetor	20
425" V8 All Models	Calif	Auto	X		Fuel Inj	21
350" V8 Seville	Calif	Auto	X		Fuel Inj	21
350" V8 Seville	Fed & H A	Auto	X		Fuel Inj	22
425" V8 Brougham, DeVille	Calif	Auto	X		Fuel Inj	23
425" V8 Brougham, DeVille	Fed & H A	Auto	X		Fuel Inj	24

1978 EXHAUST EMISSION SYSTEMS General Motors Vacuum Diagrams (Cont.)

3-347

GENERAL MOTORS VACUUM DIAGRAM REFERENCE CHART						
Engine & Model	Application	Transmission	A/C	Non A/C	Other Equipment	Fig No
CHEVROLET						
98" 4 Cyl Chevette	Federal	All	X	X		25
98" 4 Cyl Chevette	Calif & H A	All	X	X		26
151" 4 Cyl Monza	Fed & H A	Auto	X			27
151" 4 Cyl Monza	Fed & H A	Man		X		28
151" 4 Cyl Monza	Calif	All	X	X		29
200" V6 All Models	Federal	All	X	X		30
196" V6 All Models	Federal	Man	X	X		31
231" V6 All Models	Federal	Man	X	X		31
196" V6 All Models	Federal	Auto	X	X		32
231" V6 All Models	Federal	Auto	X	X		32
231" V6 All Models	Calif	All	X	X		33
231" V6 All Models	High Alt	All	X	X		34
250" 6 Cyl All Models	Fed & H A	All	X	X		35
250" 6 Cyl All Models	Calif	All	X	X		36
305" V8 All Models	Federal	All	X	X		37
305" V8 All Models	High Alt	All	X	X		38
305" V8 All Models	Calif	All	X	X		39
305" V8 All Models	Federal	All	X	X		40
305" V8 All Models	Calif & H A	Auto	X	X		41
OLDSMOBILE						
151" 4 Cyl Starfire	Fed & H A	All	X			42
151" 4 Cyl Starfire	Fed & H A	All		X		43
151" 4 Cyl Starfire	Calif	All	X	X	Elec Fuel Con	44
231" V6 Starfire, Omega, Cutlass, 88	Fed & H A	All	X	X		45
231" V6 Starfire, Omega, Cutlass, 88	Calif	All	X	X		46
260" V8 Cutlass, 88	Federal	Auto	X	X		47
260" V8 Cutlass, 88	Federal	Man	X	X	5-Speed	48
260" V8 Cutlass	High Alt	Auto	X	X		49
260" V8 Cutlass	Calif	Auto	X	X		50
305" V8 Cutlass	Federal	All	X	X		51
305" V8 Cutlass	Calif & H A	All	X	X		52
350" (VIN L) V8 Omega, Cutlass	High Alt	Auto	X	X		53
350" (VIN R) V8 88, 98	Federal	Auto	X	X		54
403" V8 88, 98	Federal	Auto	X	X		54
350" (VIN R) V8 88, 98	High Alt	Auto	X	X		55
403" V8 88, 98	High Alt	Auto	X	X		55
350" (VIN R) V8 88, 98	Calif	Auto	X	X		56
403" V8 88, 98	Calif	Auto	X	X		56
403" V8 Toronado	Federal	Auto	X			57
403" V8 Toronado	High Alt	Auto	X			58
403" V8 Toronado	Calif	Auto	X			59

1978 EXHAUST EMISSION SYSTEMS

General Motors Vacuum Diagrams (Cont.)

GENERAL MOTORS VACUUM DIAGRAM REFERENCE CHART						
Engine & Model	Application	Transmission	A/C	Non A/C	Other Equipment	Fig No
PONTIAC						
151" (VIN 1) 4 Cyl All Models	Calif	Auto	X	X		60
151" (VIN Y) 4 Cyl All Models	Federal	All		X		61
151" (VIN V) 4 Cyl All Models	Federal	Auto	X			62
231" (VIN A) V6 All Models	Federal	Auto	X	X		63
231" (VIN A) V6 All Models	Federal	Man	X	X		64
231" (VIN A) V6 All Models	High Alt	All	X	X		65
231" (VIN A) V6 All Models	Calif	All	X	X		66
301" (VIN Y) V8 All Models	Federal	Man		X		67
301" (VIN Y) V8 All Models	Federal	Auto		X		68
301" (VIN Y) V8 All Models	Federal	Auto	X			69
301" (VIN Y) V8 All Models	Federal	Man	X		2-Bbl	70
301" (VIN W) V8 All Models	Federal	Auto	X		4-Bbl	71
301" (VIN W) V8 All Models	Federal	All		X	4-Bbl	72
305" (VIN U) V8 All Models	Federal	All	X	X	2-Bbl	73
305" (VIN U) V8 All Models	Calif & H A	All	X	X	2-Bbl	74
350" (VIN L) V8 All Models	Federal	All	X	X	4-Bbl	75
350" (VIN L) V8 All Models	Calif & H A	All	X	X	4-Bbl	76
350" (VIN X) V8 All Models	Federal	All	X	X	4-Bbl	77
350" (VIN R) V8 All Models	Calif	All	X	X	4-Bbl	78
403" (VIN K) V8 All Models	Calif	All	X	X	4-Bbl	78
350" (VIN R) V8 All Models	High Alt	All	X	X	4-Bbl	79
403" (VIN K) V8 All Models	High Alt	All	X	X	4-Bbl	79
400" (VIN Z) V8 All Models	All	Man	X	X	4-Bbl	80
400" (VIN Z) V8 All Models	All	Auto	X	X	Single Exh	81
400" (VIN Z) V8 All Models	All	Auto	X	X	Dual Exh	82

ABBREVIATIONS USED IN GENERAL MOTORS VACUUM DIAGRAMS

A.I.R. – Air Injection Reactor.
BP-EGR – Backpressure Exhaust Gas Recirculation.
CC – Catalytic Converter.
CEAB-TVS – Cold Engine Airbleed-TVS.
CESS – Cold Engine Sensor Switch.
CP-TVS – Canister Purge Thermal Vacuum Switch.
CTVS – Choke Thermal Vacuum Switch.
CVB-VDV – Choke Vacuum Break-Vacuum Delay Valve.
DCV – Distributor Check Valve.
DTCV – Distributor Thermal Control Valve.
DTVS – Distributor Thermal Vacuum Switch.
DVDV – Distributor Vacuum Delay Valve.
ECU – Electronic Control Unit.
EEC – Evaporative Emission Control.
EFE – Early Fuel Evaporation.
EFE-CV – EFE Check Valve.

EFE/EGR TVS – EFE/EGR Thermal Vacuum Switch.
EGR – Exhaust Gas Recirculation.
EGR/CP TVS – EGR Canister Purge Therm. Vac. Switch.
EGR-DTVS – EGR Distributor Thermal Vacuum Switch.
EGR/EST-TVS – EGR/Elec. Spark Timing TVS.
EGR/TCV – EGR Thermal Control Valve.
OS – Oxygen Sensor.
PCV – Positive Crankcase Ventilation.
SAVM – Spark Advance Vacuum Modulator.
SDV – Spark Delay Valve.
SRDV – Spark Retard Delay Valve.
TAC – Thermostatic Air Cleaner.
TVS – Thermal Vacuum Switch.
VIS – Vacuum Input Switch.
VM – Vacuum Modulator.
VM-CV – Vacuum Modulator Check Valve.

1978 EXHAUST EMISSION SYSTEMS

Buick Vacuum Diagrams

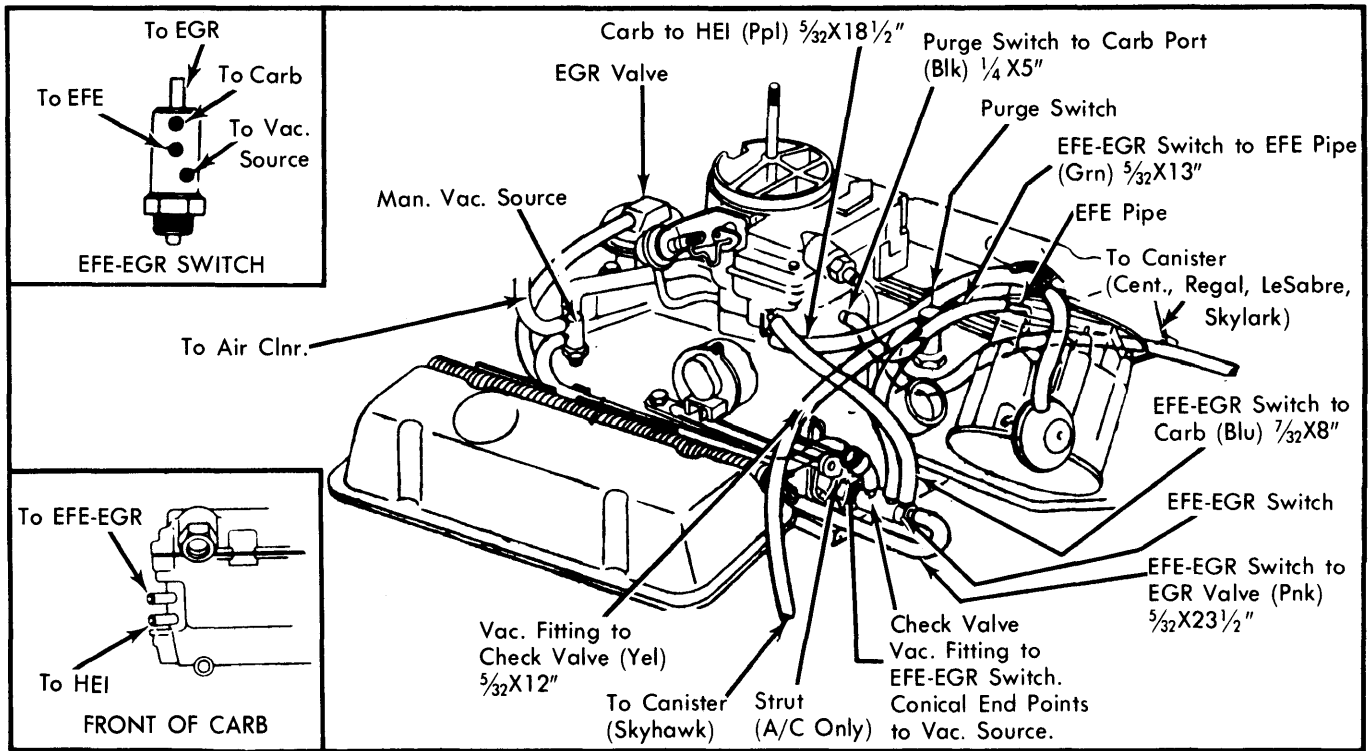


Fig. 1 196" (VIN C) & 231" (VIN A); 2-Bbl.; Federal; Auto. Trans. (All Models)

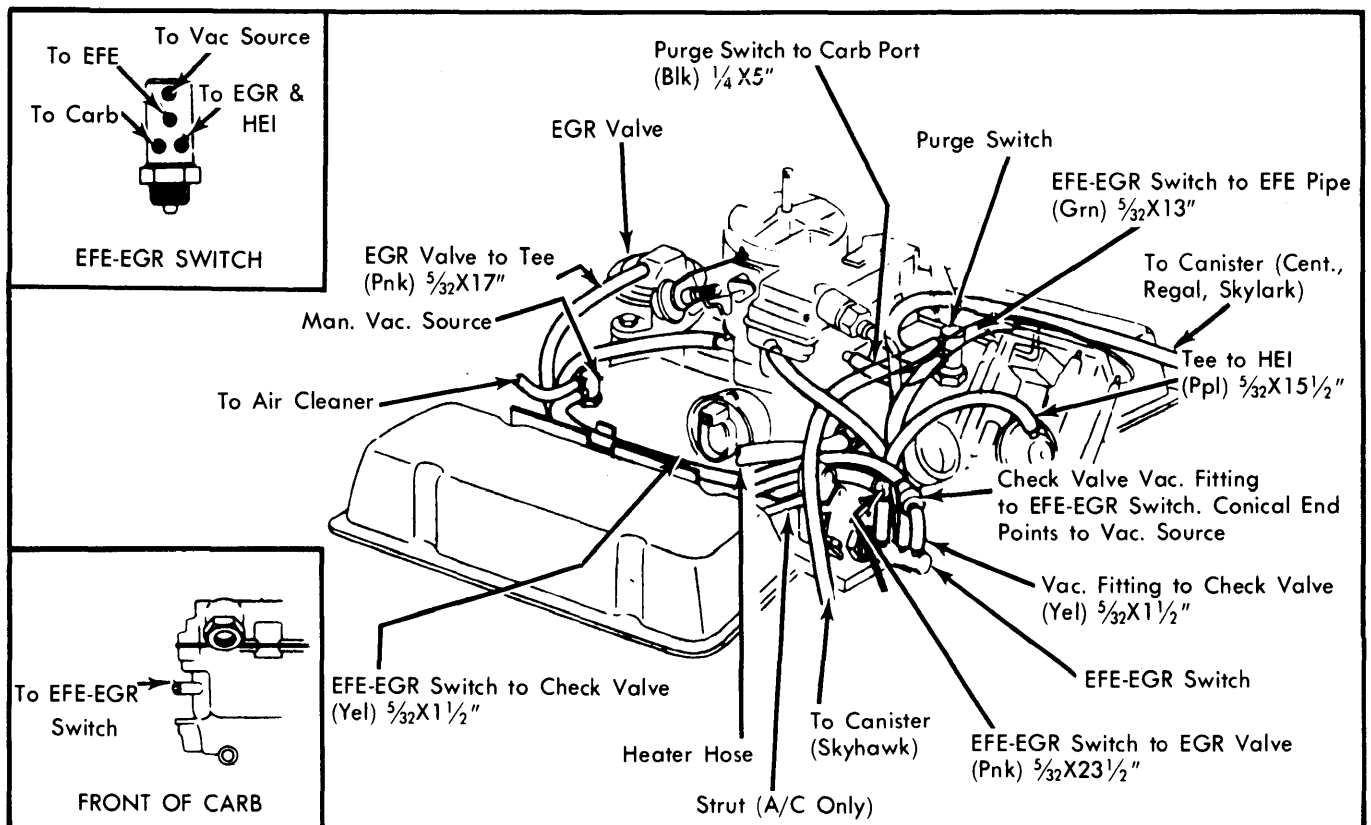


Fig. 2 196" (VIN C) & 231" (VIN A); 2-Bbl.; Federal; Man. Trans. (All Models)

1978 EXHAUST EMISSION SYSTEMS

Buick Vacuum Diagrams (Cont.)

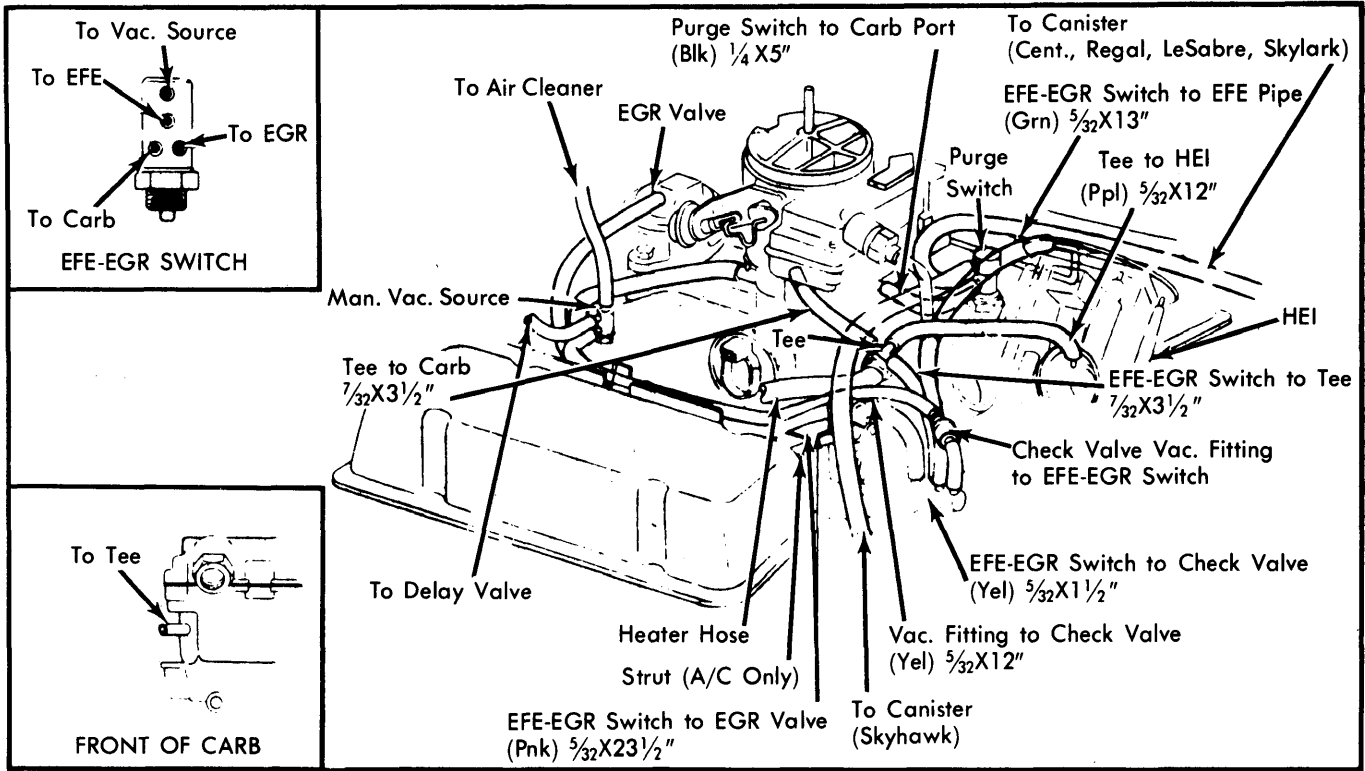


Fig. 3 231" (VIN A); 2-Bl.; Calif.; All Trans. (All Models)

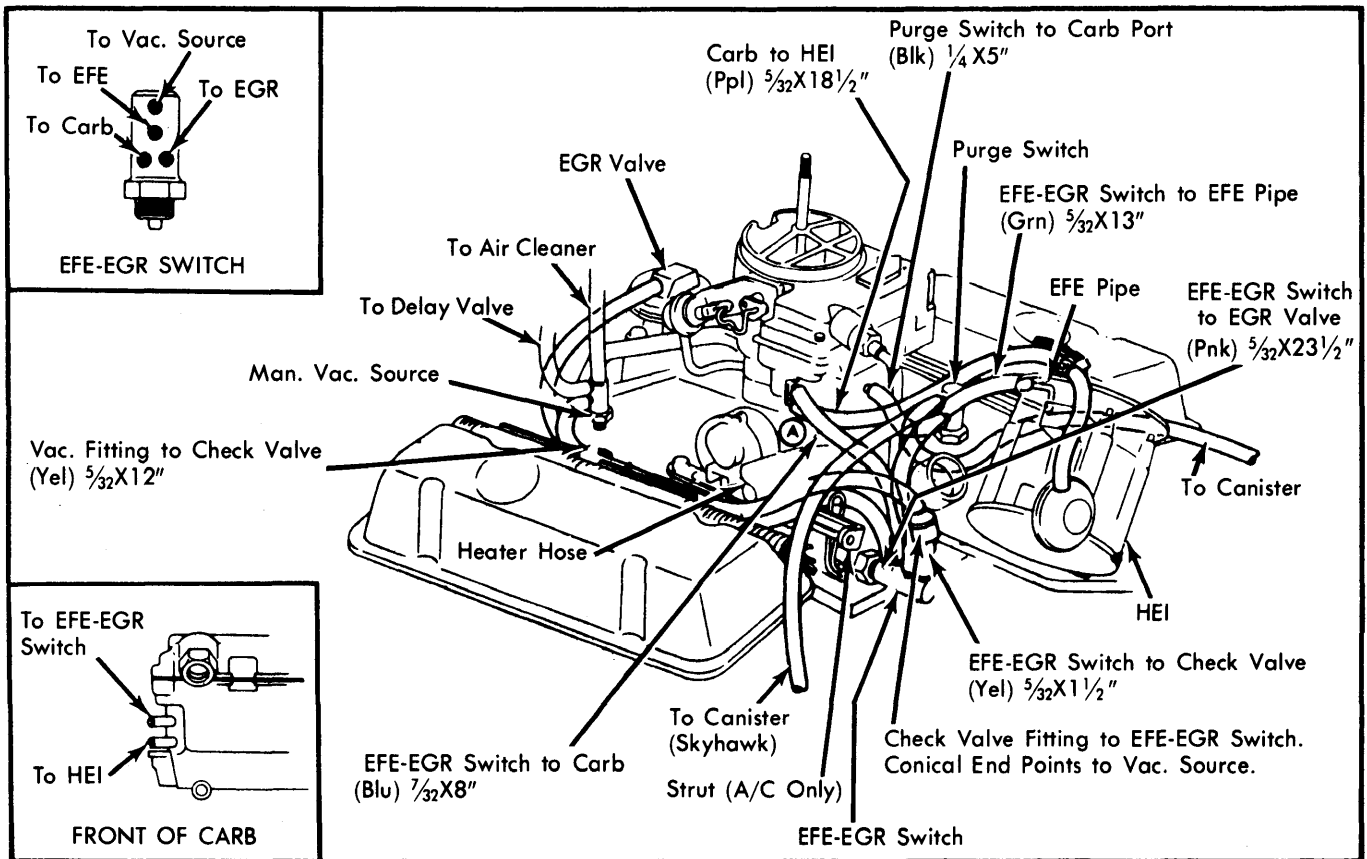


Fig. 4 231" (VIN A); 2-Bl.; High Alt.; All Trans. (All Models)

1978 EXHAUST EMISSION SYSTEMS Buick Vacuum Diagrams (Cont.)

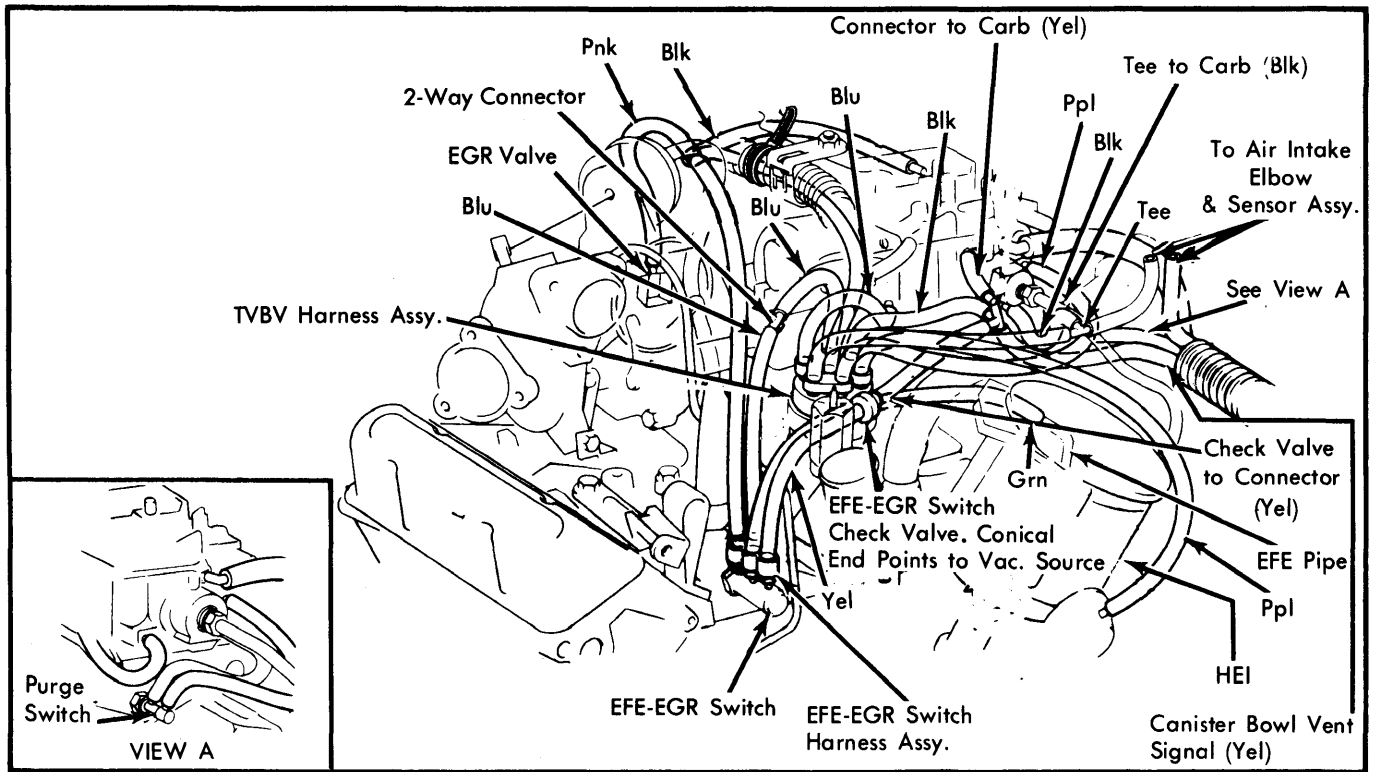


Fig. 5 231" (VIN G); Turbocharged; 2-Bl.; Federal; Auto. Trans.; Non-A/C (All Models)

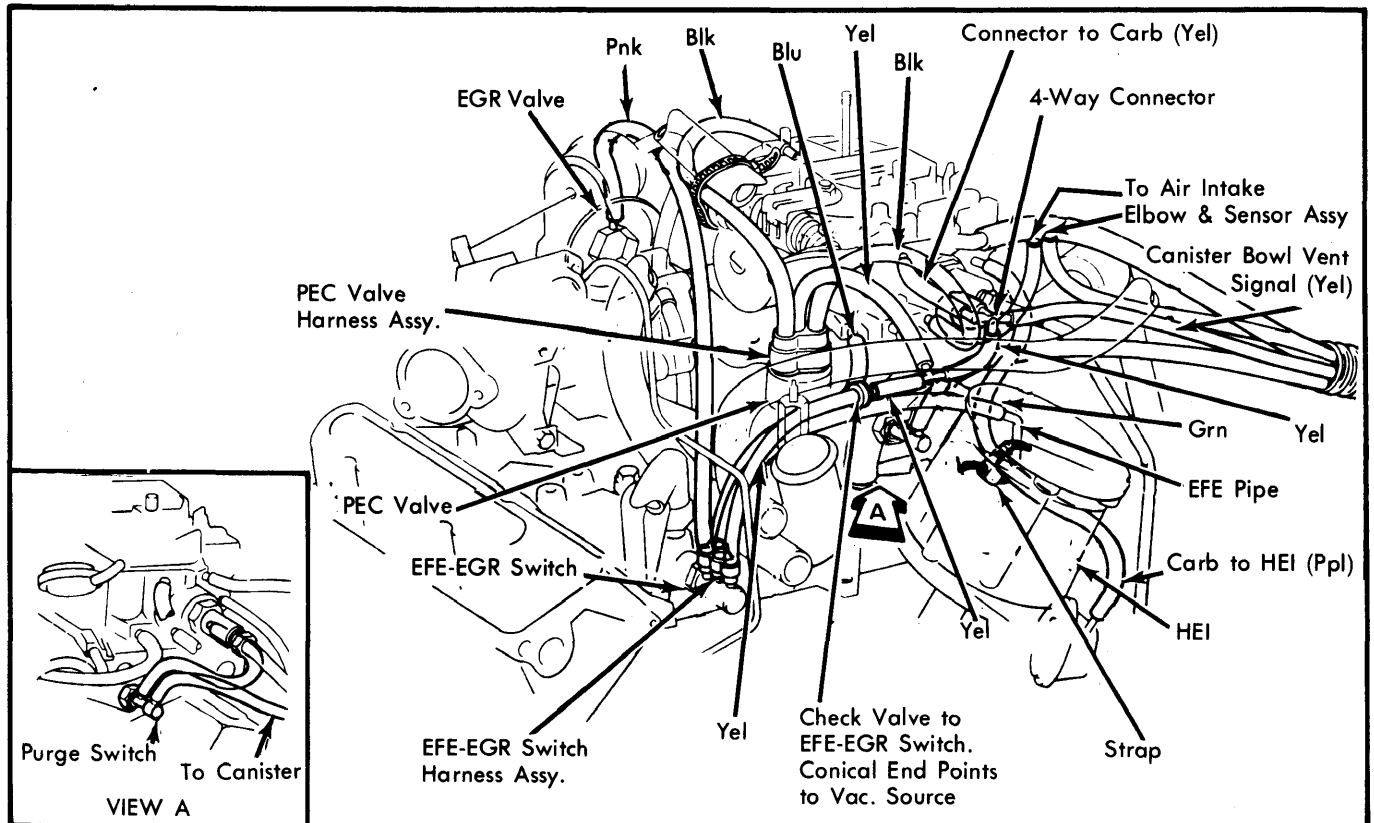


Fig. 6 231" (VIN 3); Turbocharged; 4-Bl.; Federal & High Alt.; Auto. Trans. (All Models)

1978 EXHAUST EMISSION SYSTEMS Buick Vacuum Diagrams (Cont.)

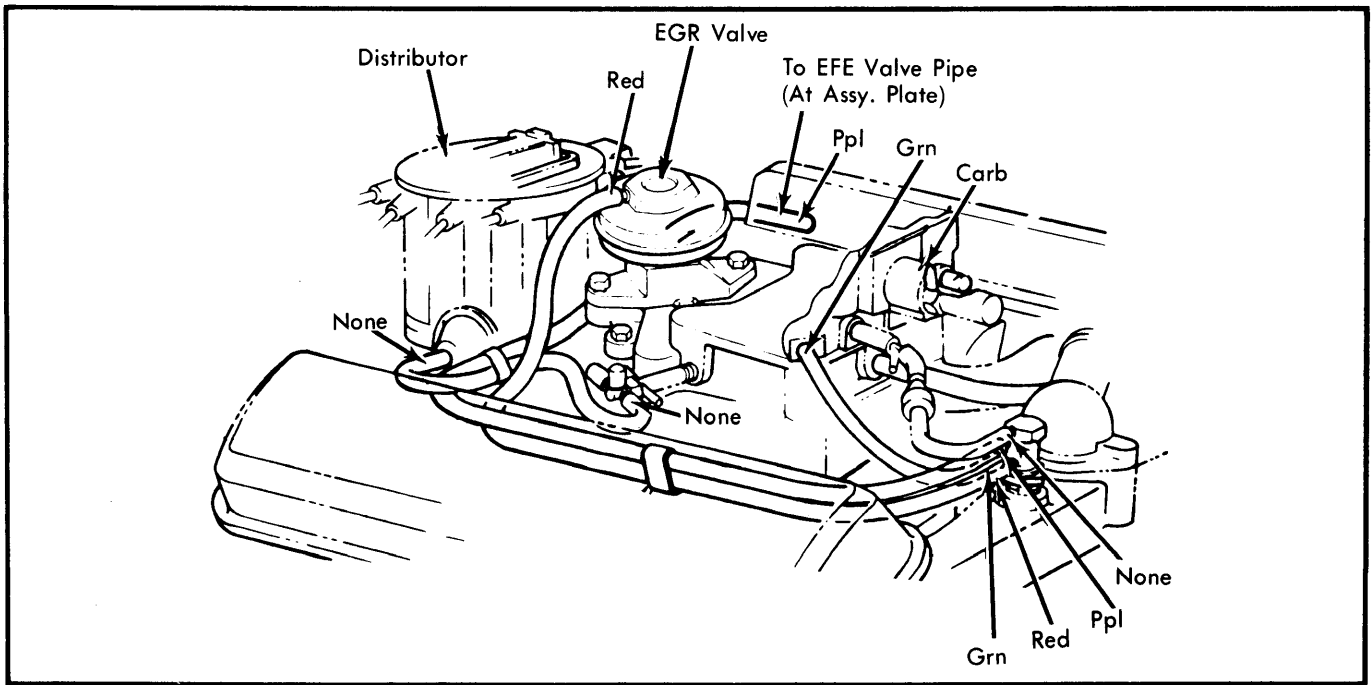


Fig. 7 301" (VIN Y); 2-Bbl.; Federal; Auto. Trans.; Non-A/C
(All Models)

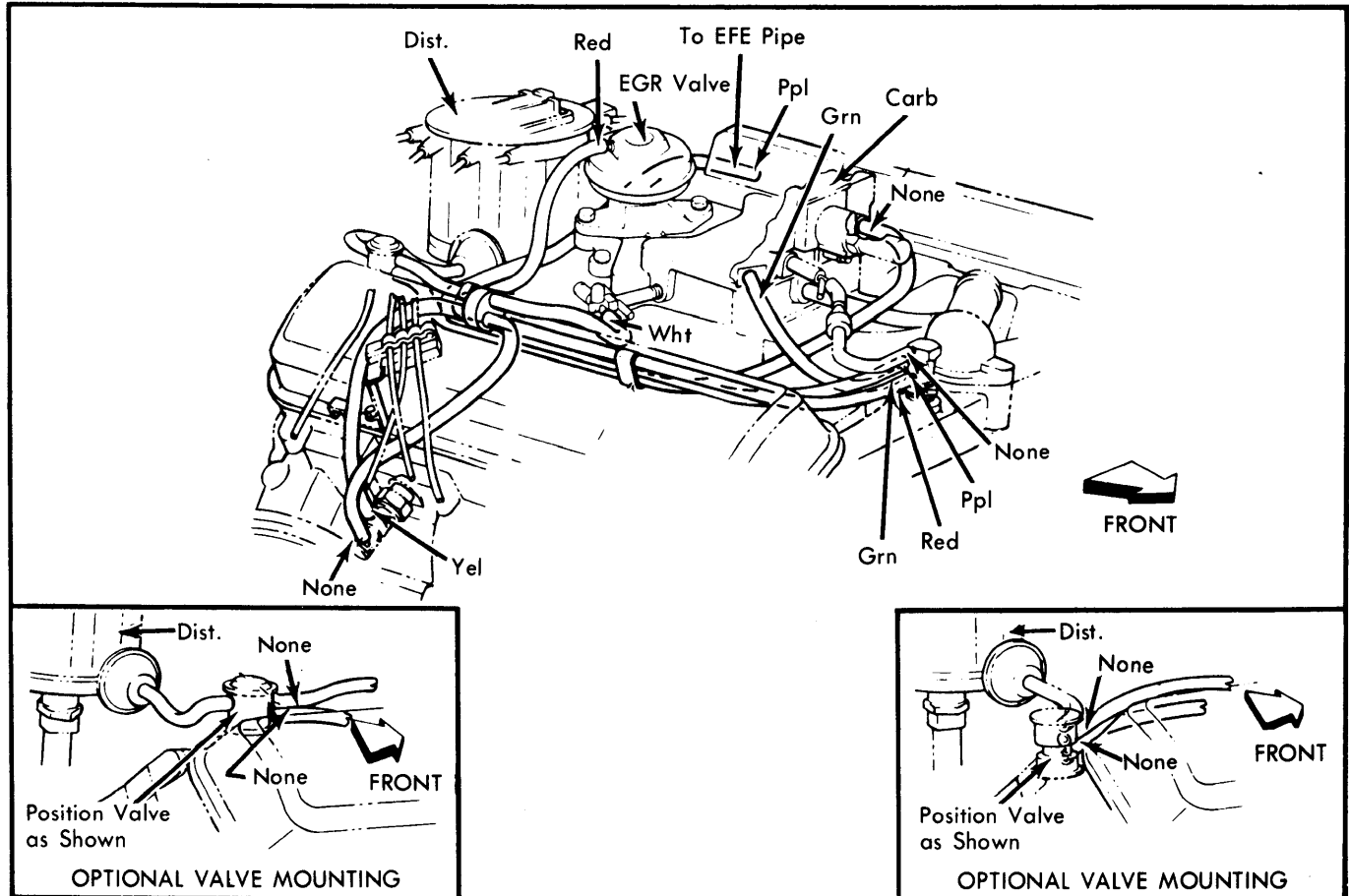


Fig. 8 301" (VIN Y); 2-Bbl.; Federal; Auto. Trans.; A/C
(All Models)

1978 EXHAUST EMISSION SYSTEMS

Buick Vacuum Diagrams (Cont.)

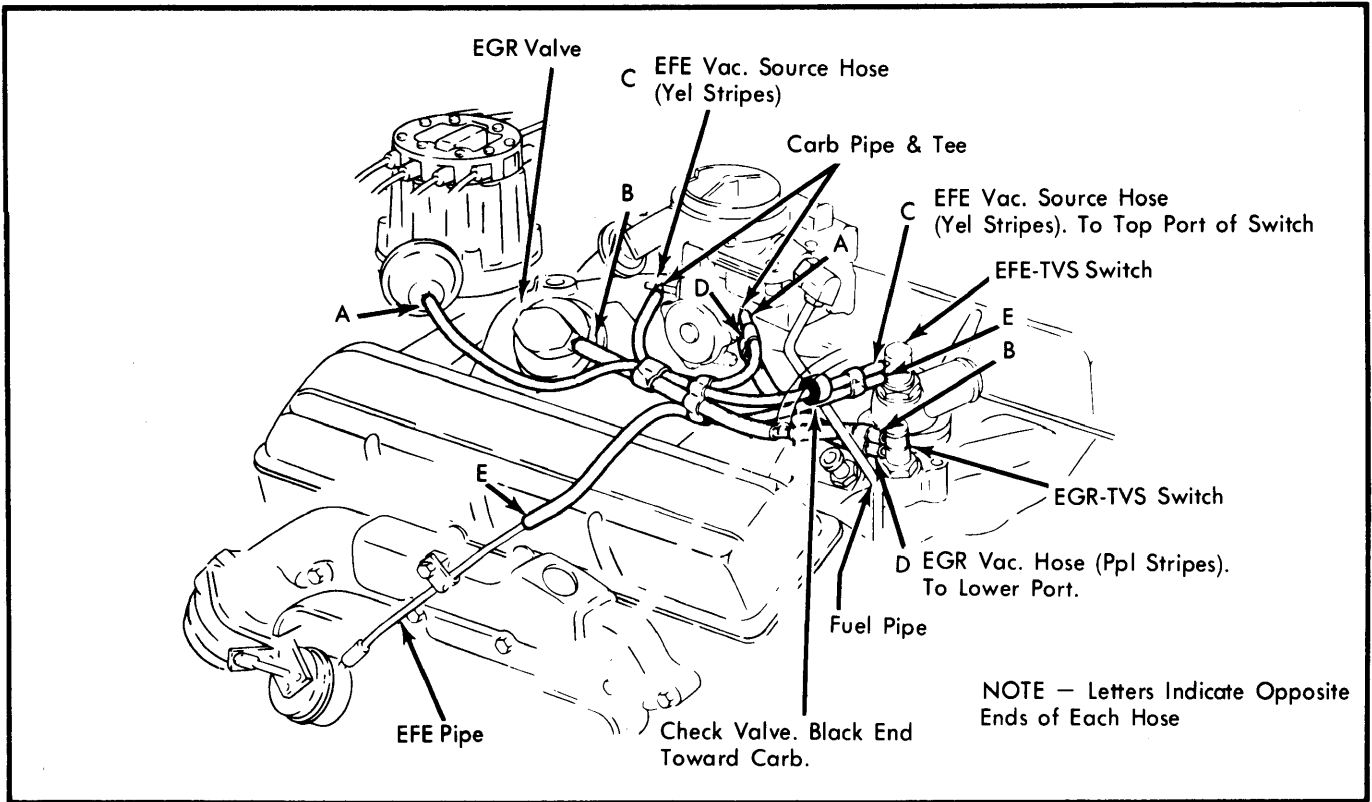


Fig. 9 305" (VIN U); 2-Bbl.; Federal; Auto. Trans. (Century & Regal)

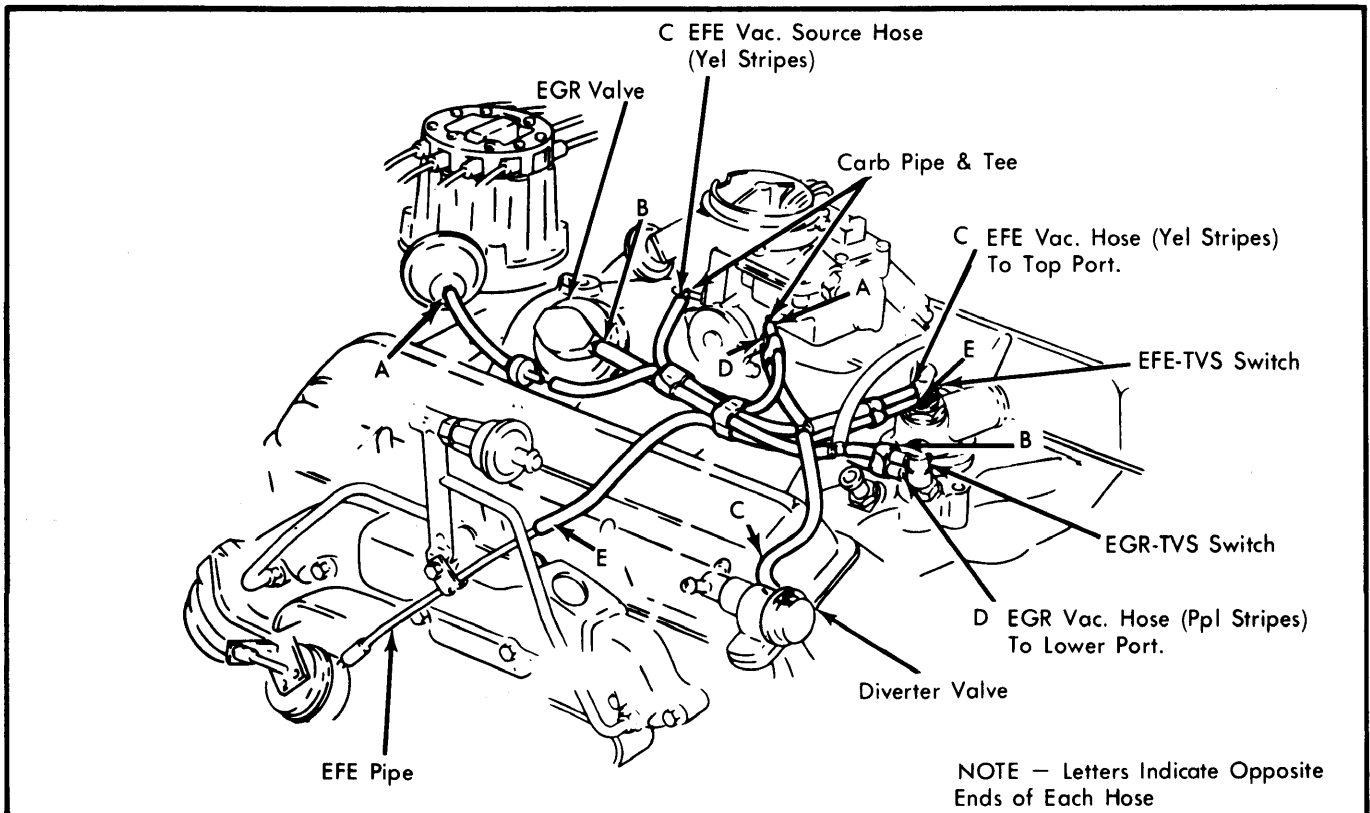


Fig. 10 305" (VIN U); 2-Bbl.; Calif. & High Alt.; Auto. Trans. (Century & Regal)

1978 EXHAUST EMISSION SYSTEMS Buick Vacuum Diagrams (Cont.)

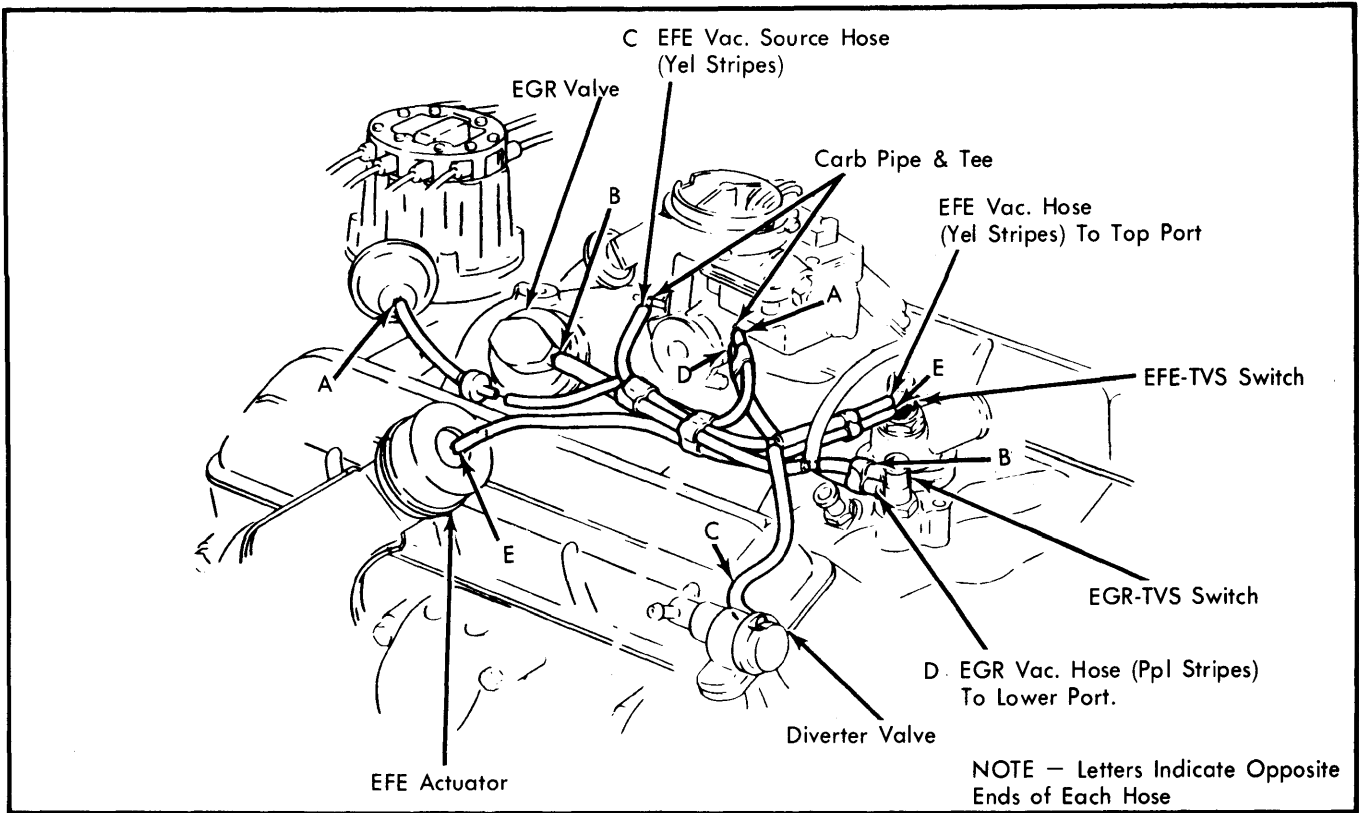


Fig. 11 305" (VIN U); 2-Bbl.; Calif.; Auto. Trans.
(LeSabre, Estate Wagon, Riviera)

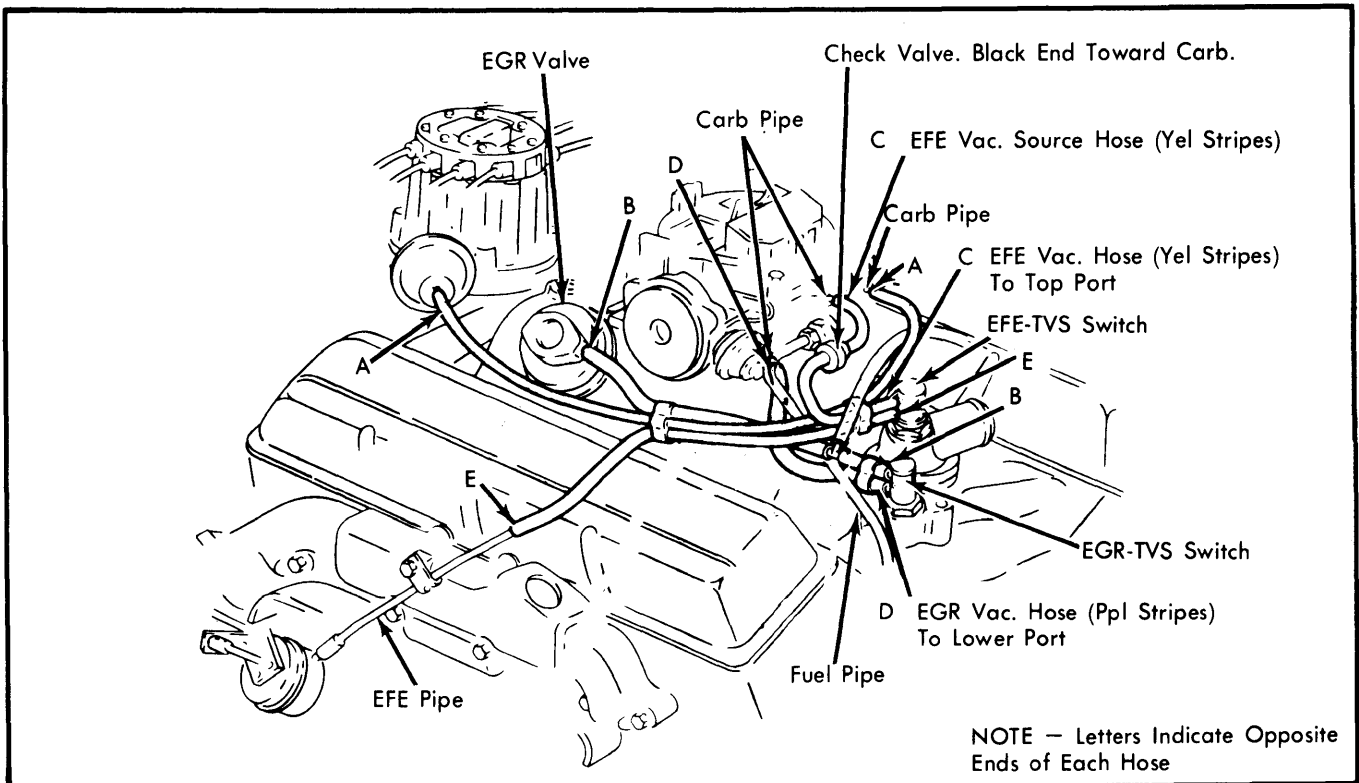


Fig. 12 305" (VIN H); 4-Bbl.; Federal; Auto. Trans.
(Century & Regal)

1978 EXHAUST EMISSION SYSTEMS Buick Vacuum Diagrams (Cont.)

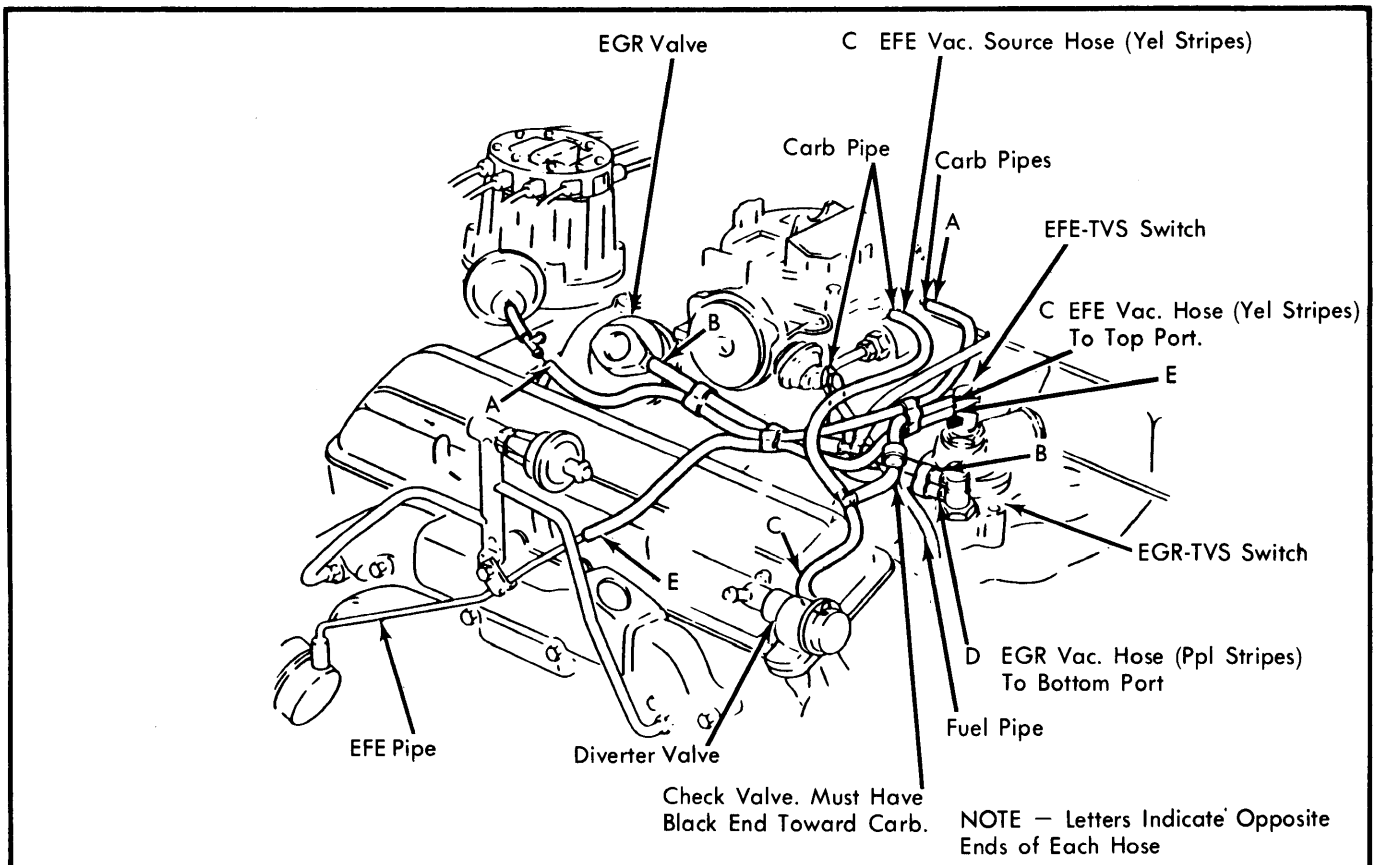


Fig. 13 350" (VIN L); 4-Bbl.; High Alt.; Auto. Trans. (Century & Regal)

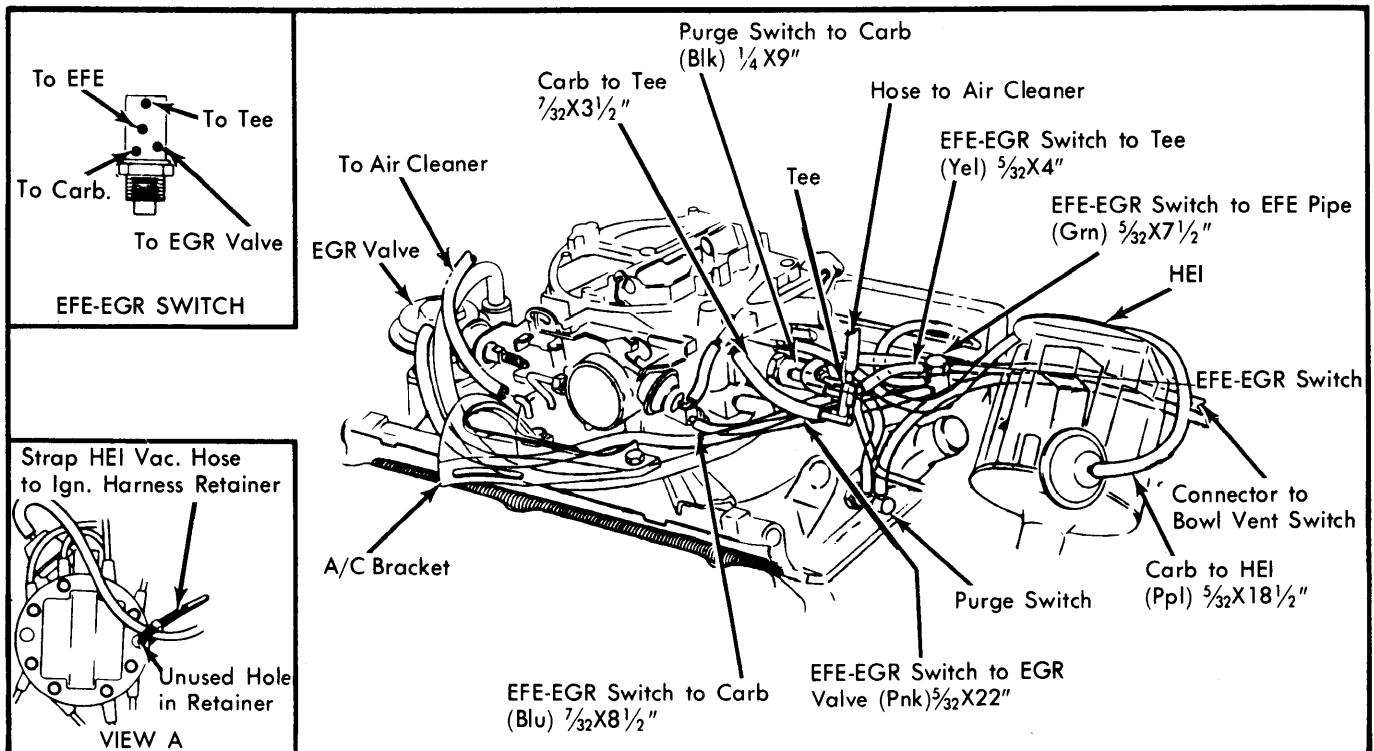


Fig. 14 350" (VIN X); 4-Bbl.; Federal; Auto. Trans. (Century & Regal)

1978 EXHAUST EMISSION SYSTEMS

Buick Vacuum Diagrams (Cont.)

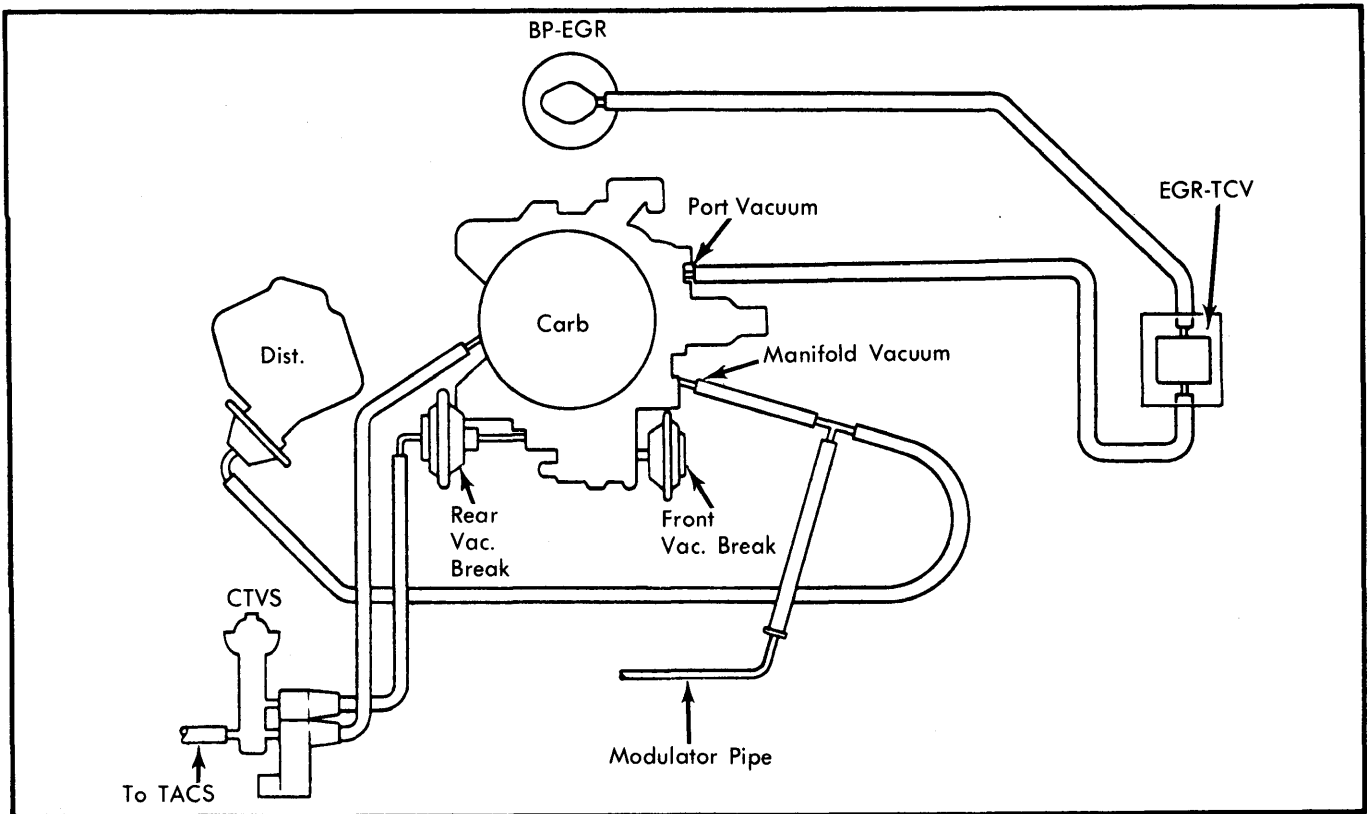


Fig. 15 350" (VIN R) & 403" (VIN K); 4-Bbl.; Federal;
Auto. Trans. (LeSabre, Estate Wag., Riviera, Electra)

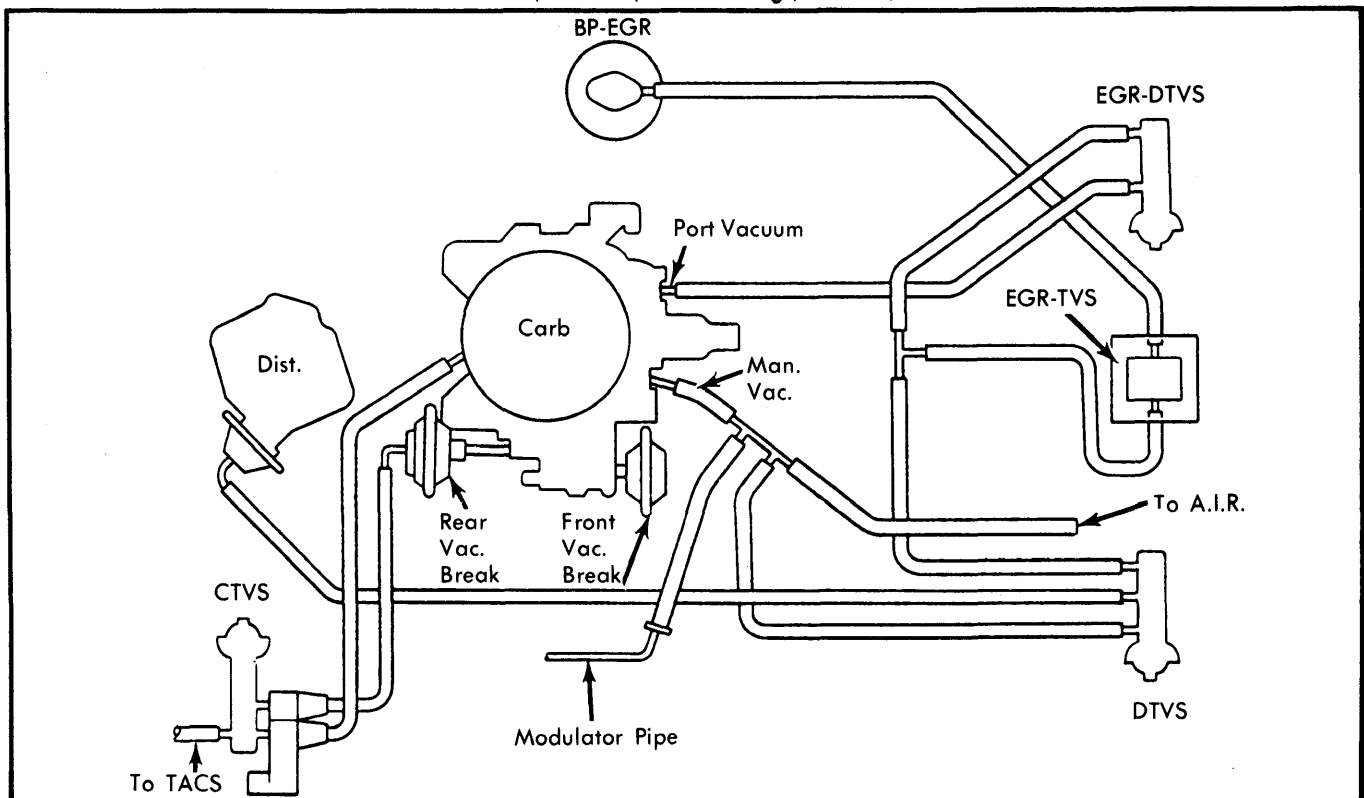


Fig. 16 350" (VIN R) & 403" (VIN K); 4-Bbl.; Calif.
Auto. Trans. (LeSabre, Estate Wag., Riviera, Electra)

1978 EXHAUST EMISSION SYSTEMS

Buick Vacuum Diagrams (Cont.)

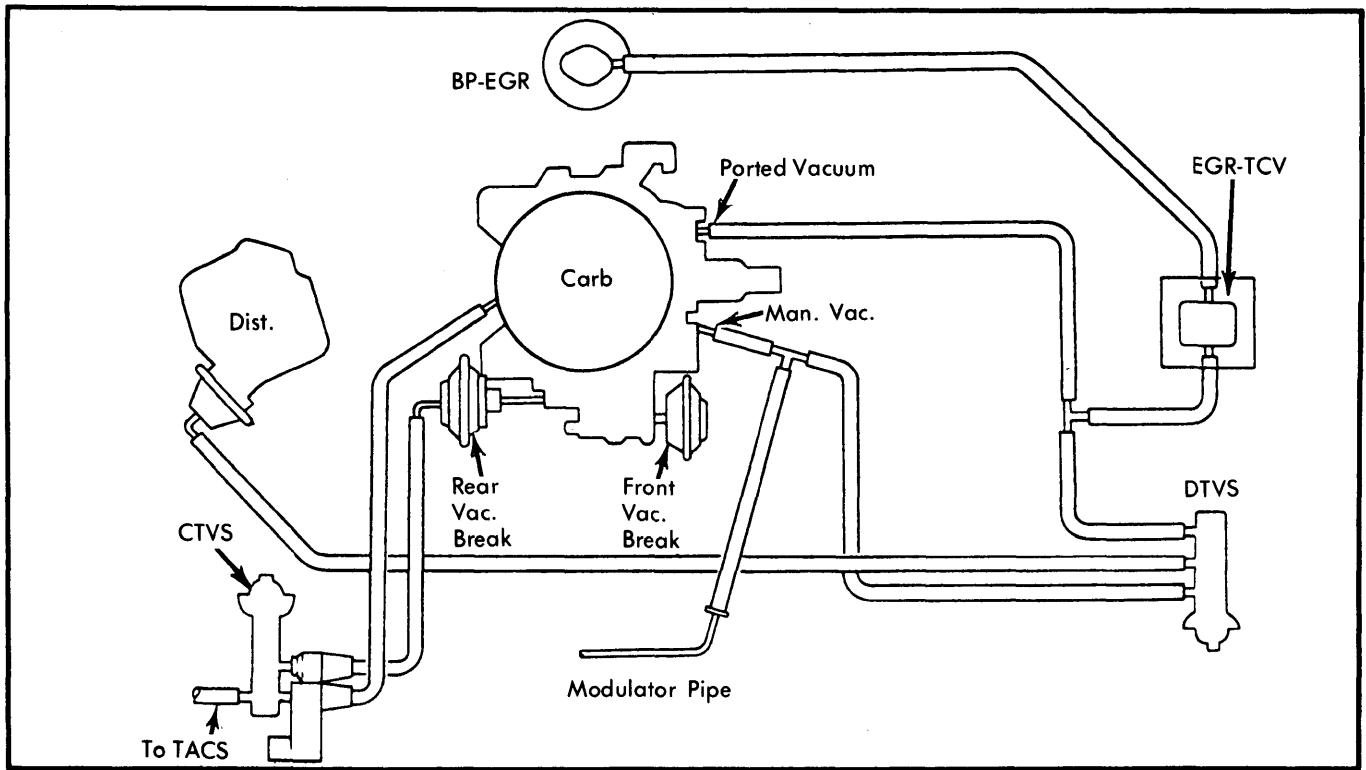


Fig. 17 350" (VIN R) & 403" (VIN K); 4-Bbl.; High Alt. Auto. Trans. (LeSabre, Estate Wag., Riviera, Electra)

Cadillac Vacuum Diagrams

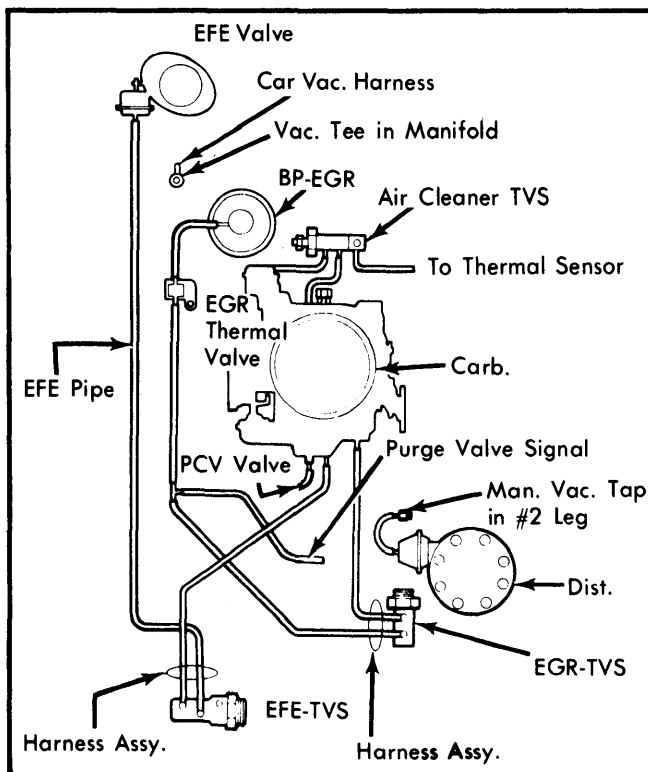


Fig. 18 350" & 425"; Carb. Engines; Federal (DeVille, Brougham)

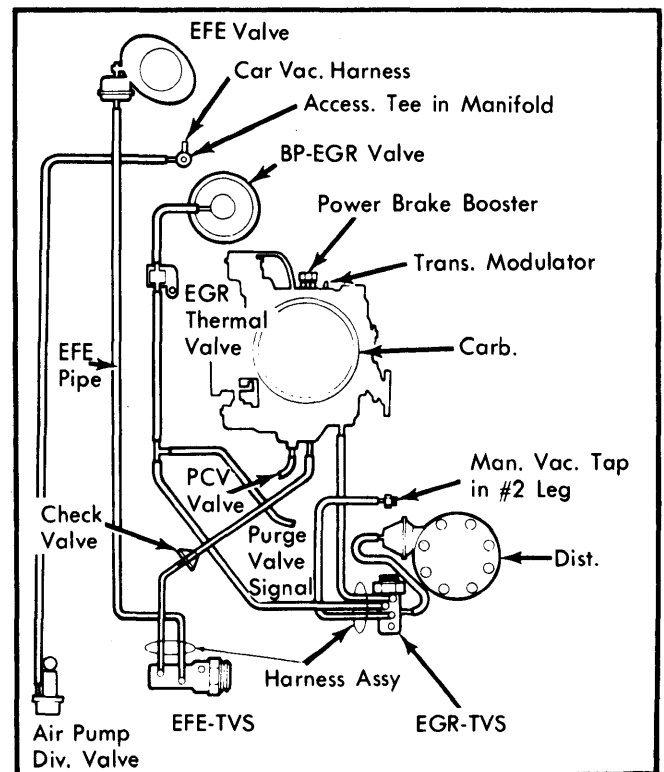


Fig. 19 350" & 425"; Carb. Engines; High Alt. (All Models)

1978 EXHAUST EMISSION SYSTEMS Cadillac Vacuum Diagrams (Cont.)

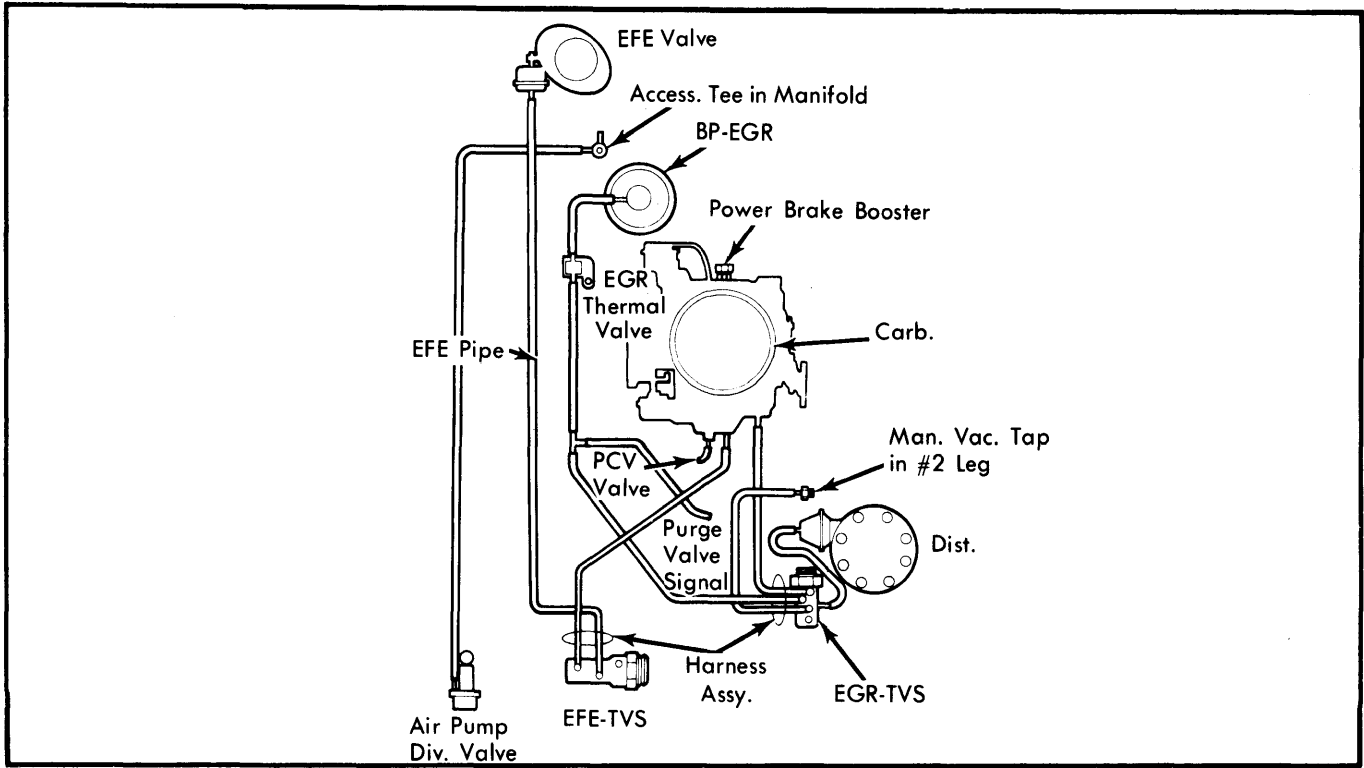


Fig. 20 350" & 425"; Carb. Engines; Federal (Eldorado, Limousine, Commercial); Calif. (All Models)

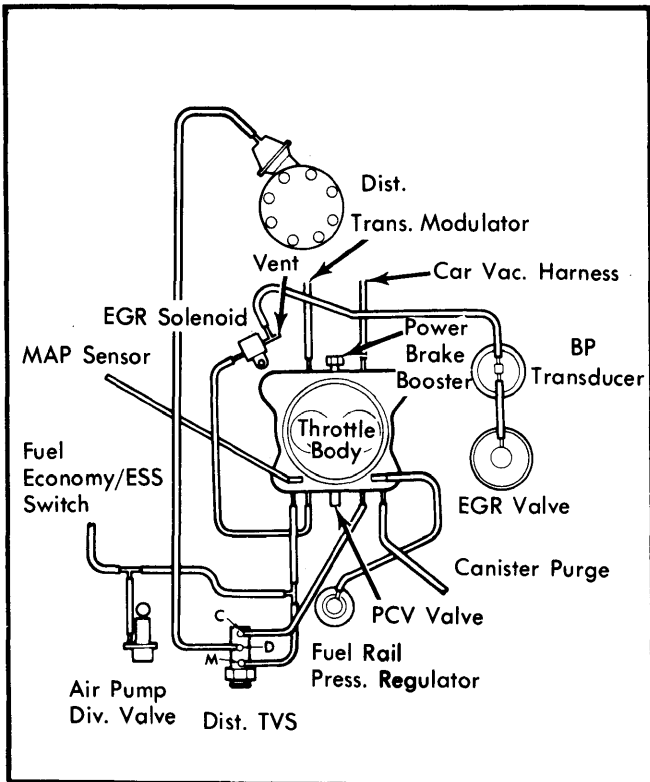


Fig. 21 350"; Fuel Injection; Calif. (Seville)

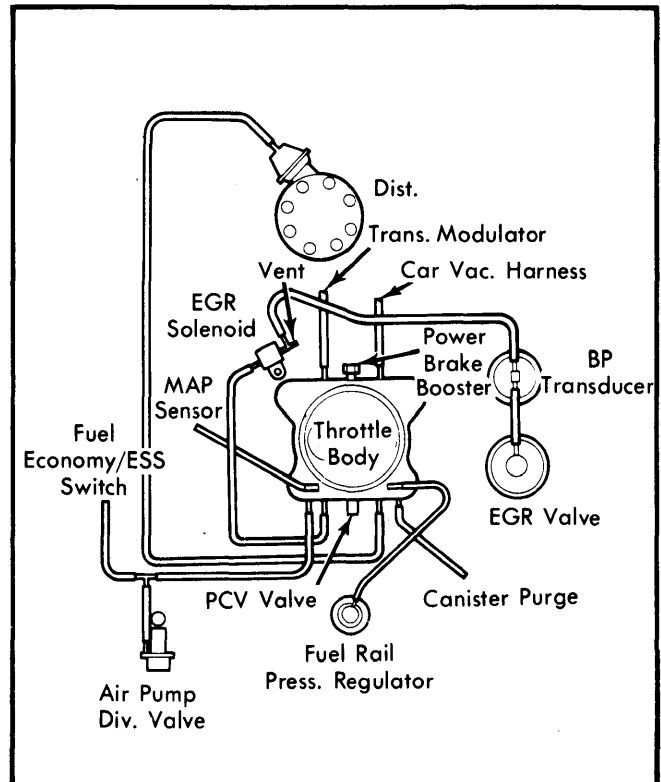


Fig. 22 350"; Fuel Injection; Federal & High Alt. (Seville)

1978 EXHAUST EMISSION SYSTEMS Cadillac Vacuum Diagrams (Cont.)

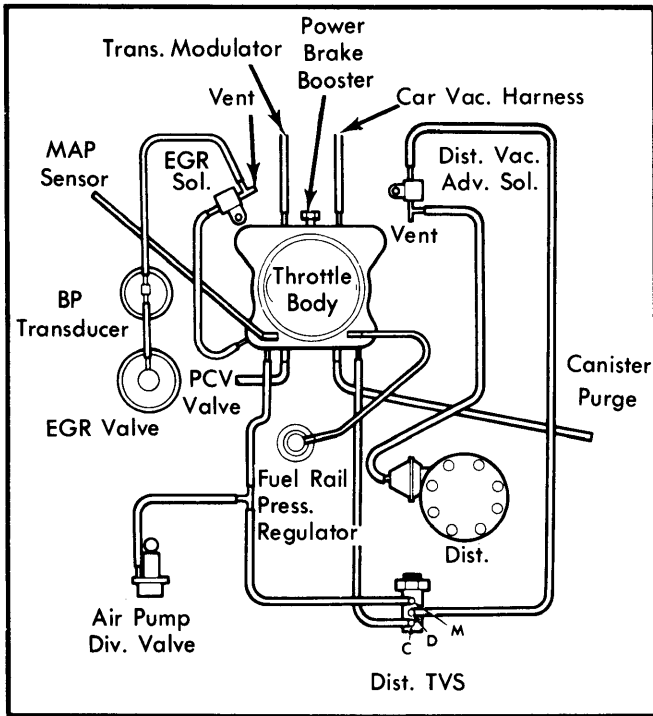


Fig. 23 425"; Fuel Injection; Calif. (Brougham, DeVille)

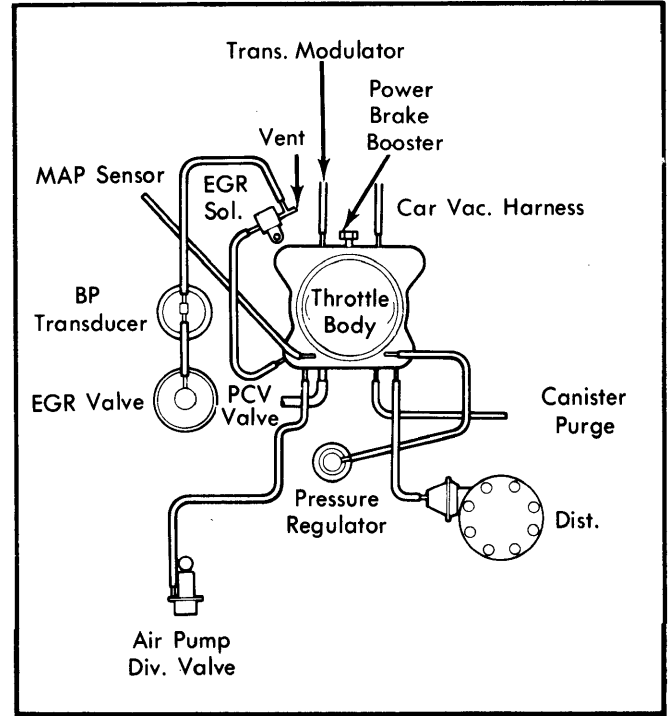


Fig. 24 425"; Fuel Injection; Federal & High Alt. (Brougham, DeVille)

Chevrolet Vacuum Diagrams

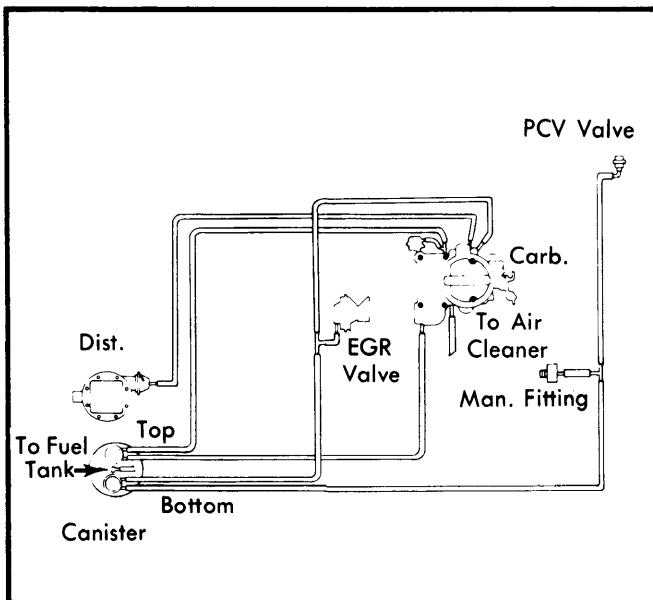


Fig. 25 98"; All Trans.; Federal (Chevette)

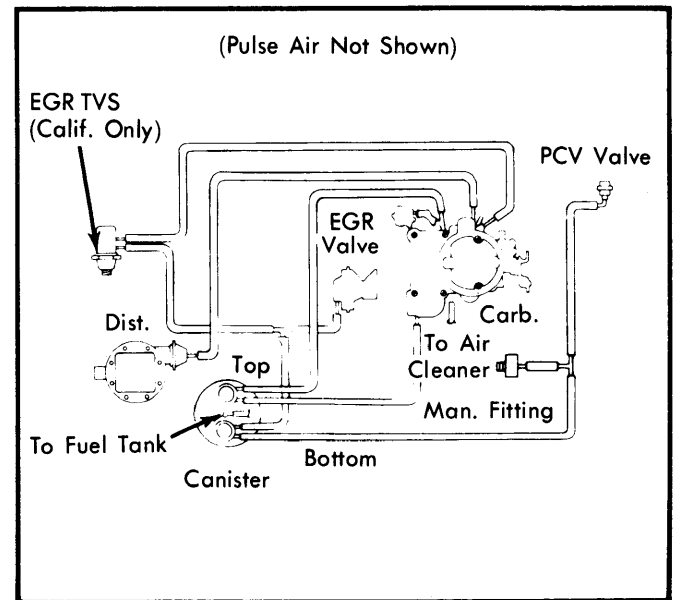


Fig. 26 98"; All Trans.; Calif. & High Alt. (Chevette)

1978 EXHAUST EMISSION SYSTEMS Chevrolet Vacuum Diagrams (Cont.)

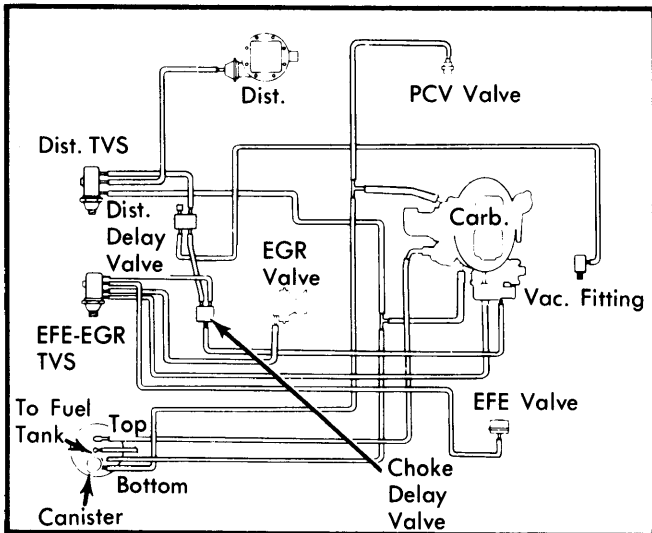


Fig. 27 151"; Auto. Trans.; Federal & High Alt.; A/C (Monza)

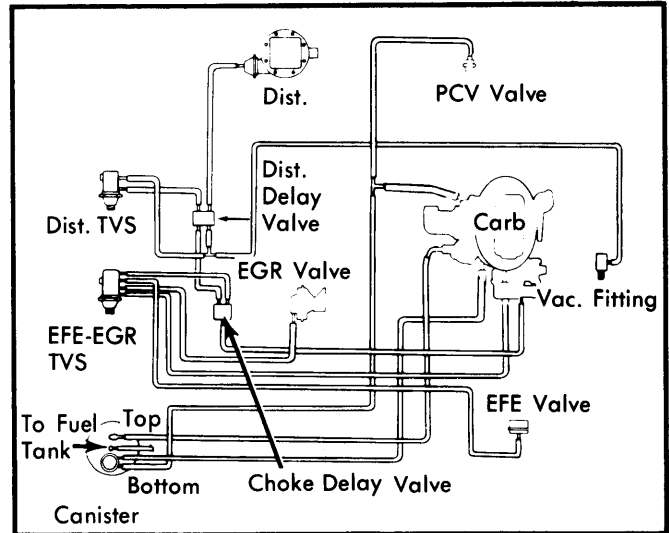


Fig. 28 151"; Man. Trans.; Federal & High Alt.; A/C (Monza)

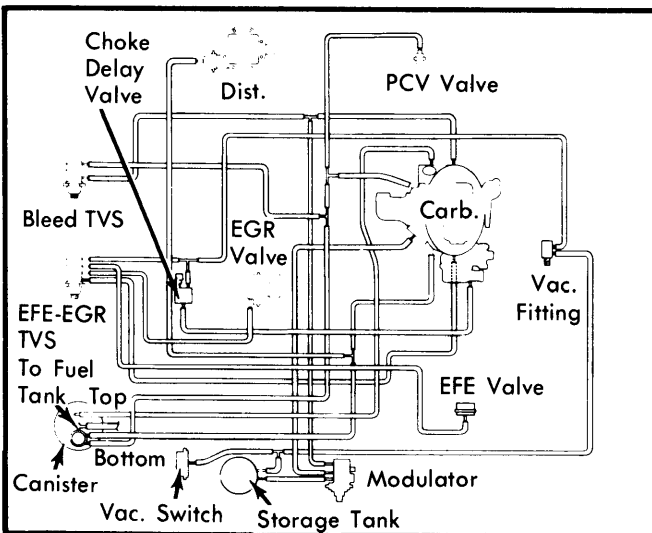


Fig. 29 151"; All Trans.; Calif. (Monza)

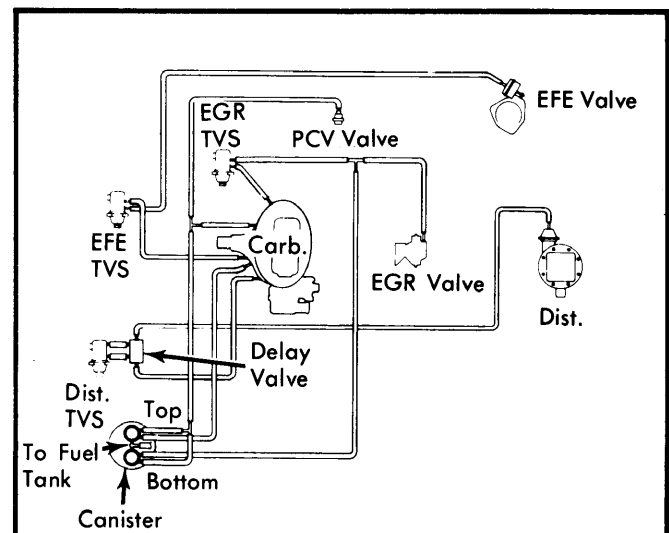


Fig. 30 200"; All Trans.; Federal (All Models)

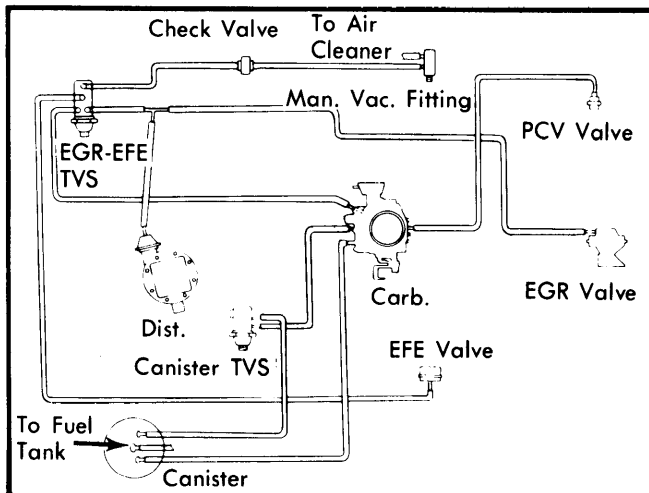


Fig. 31 196" & 231"; Man. Trans.; Federal (All Models)

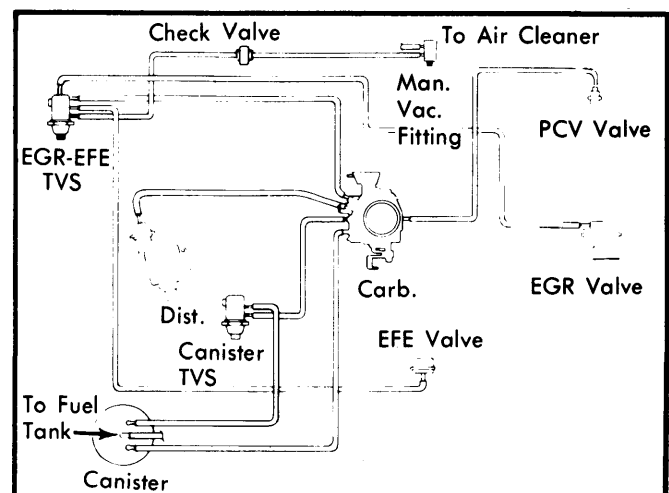


Fig. 32 196" & 231"; Auto. Trans.; Federal (All Models)

1978 EXHAUST EMISSION SYSTEMS Chevrolet Vacuum Diagrams (Cont.)

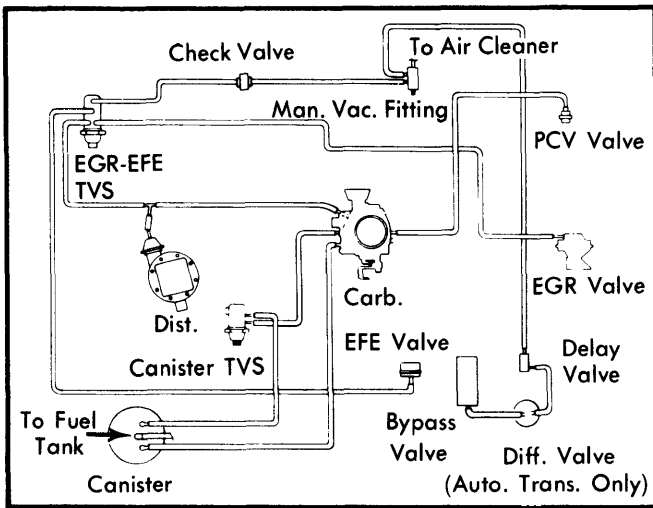


Fig. 33 231"; All Trans.; Calif. (All Models)

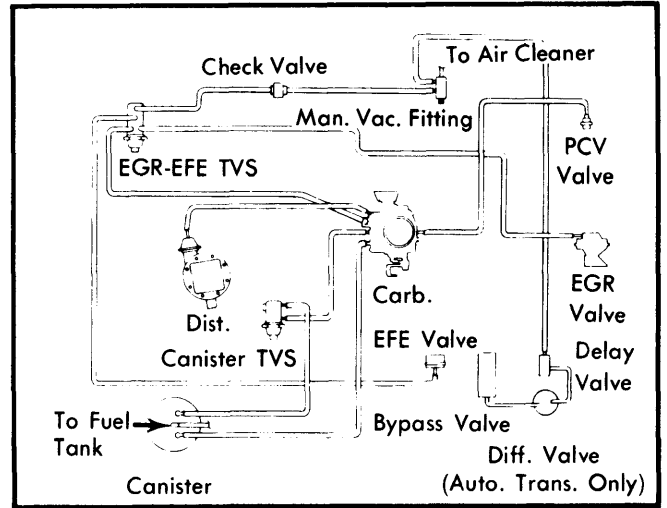


Fig. 34 231"; All Trans.; High Alt. (All Models)

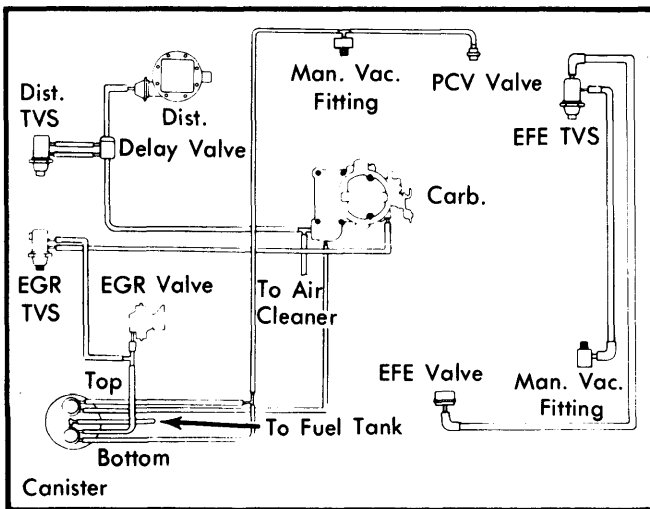


Fig. 35 250"; All Trans.; Federal & High Alt. (All Models)

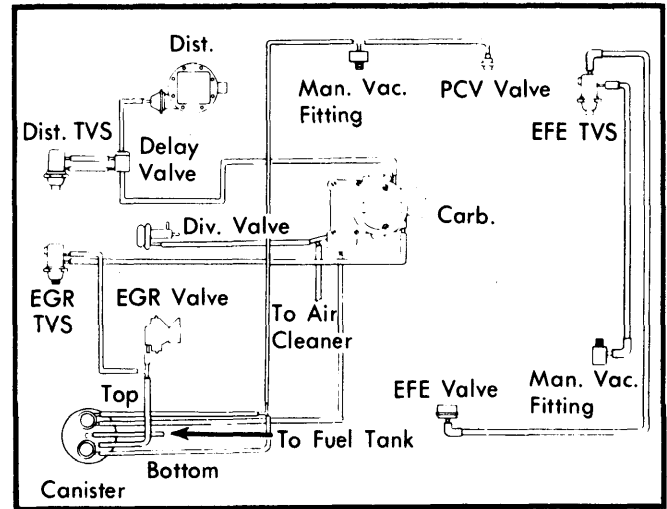


Fig. 36 250"; All Trans.; Calif. (All Models)

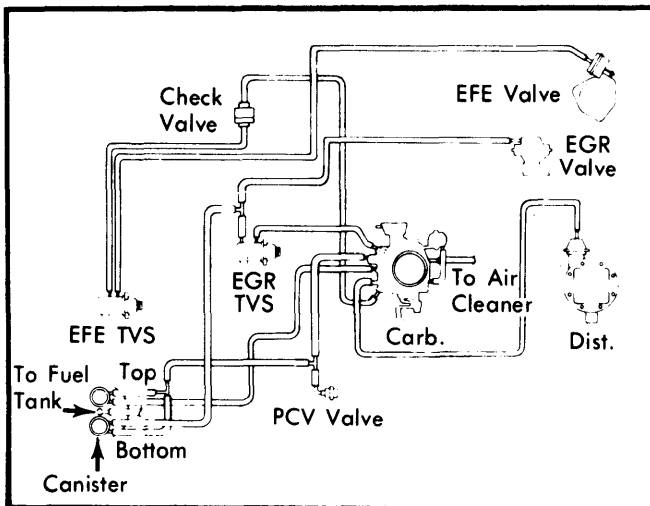


Fig. 37 305"; All Trans.; Federal (All Models)

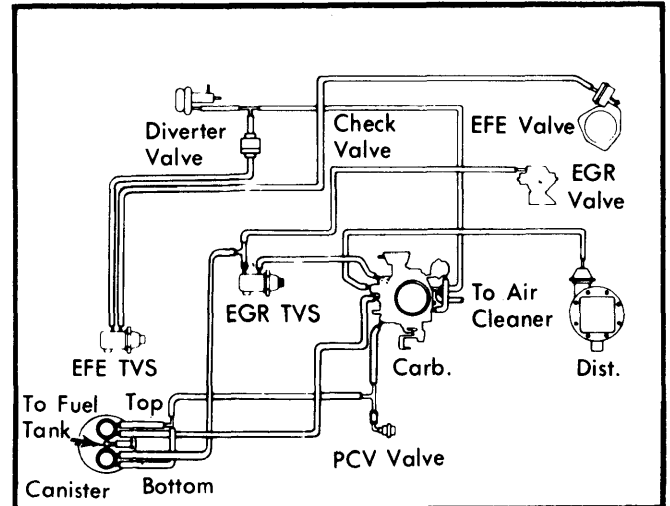


Fig. 38 305"; All Trans.; High Alt. (All Models)

1978 EXHAUST EMISSION SYSTEMS Chevrolet Vacuum Diagrams (Cont.)

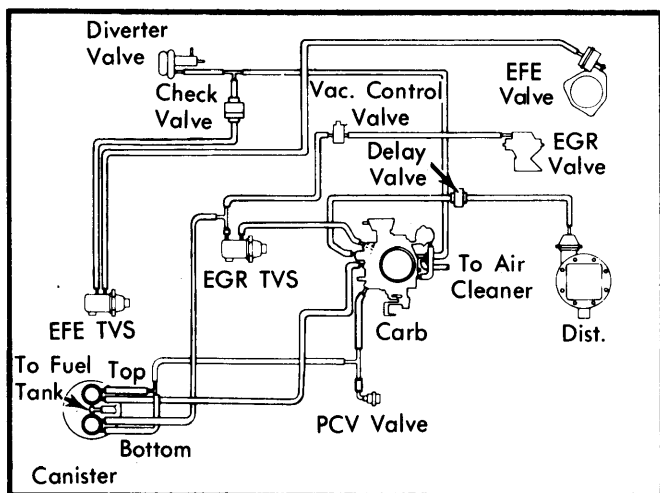


Fig. 39 305"; All Trans.; Calif. (All Models)

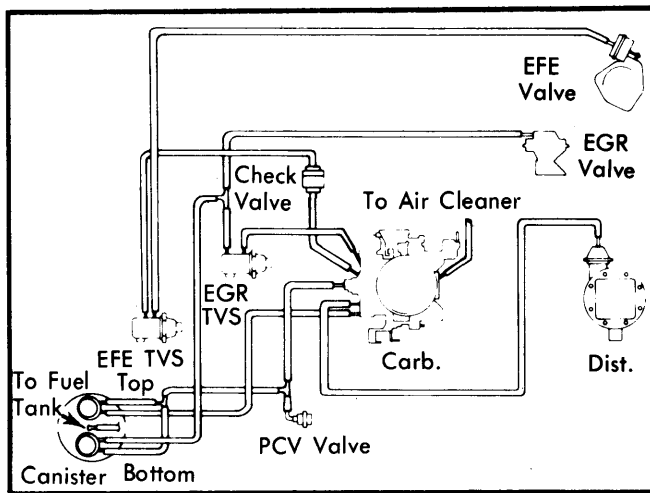


Fig. 40 350"; All Trans.; Federal (All Models)

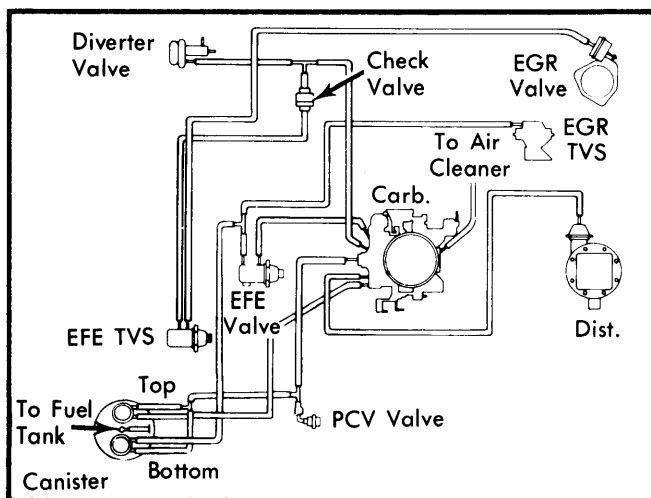


Fig. 41 350"; Auto. Trans.; Calif. & High Alt. (All Models)

Oldsmobile Vacuum Diagrams

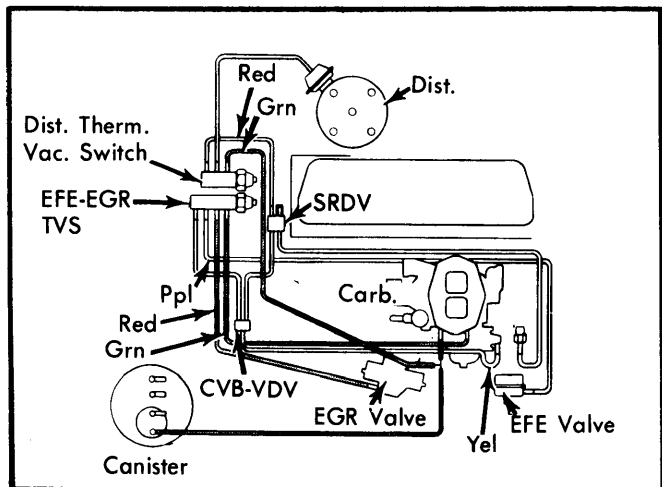


Fig. 42 151"; All Trans.; Federal & High Alt.; A/C (Starfire)

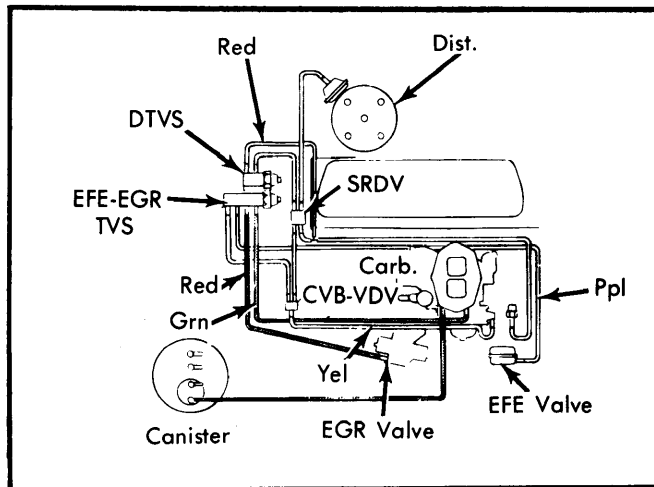


Fig. 43 151"; All Trans.; Federal & High Alt.; Non-A/C (Starfire)

1978 EXHAUST EMISSION SYSTEMS Oldsmobile Vacuum Diagrams (Cont.)

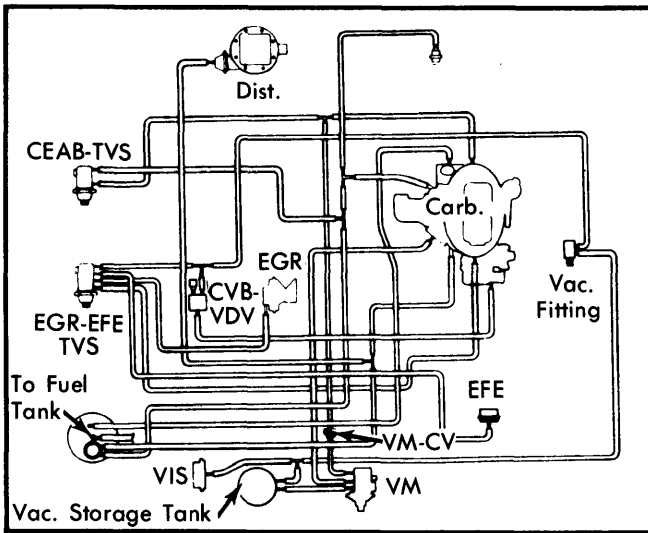


Fig. 44 151"; All Trans.; Calif.; Electronic Fuel Control (Starfire)

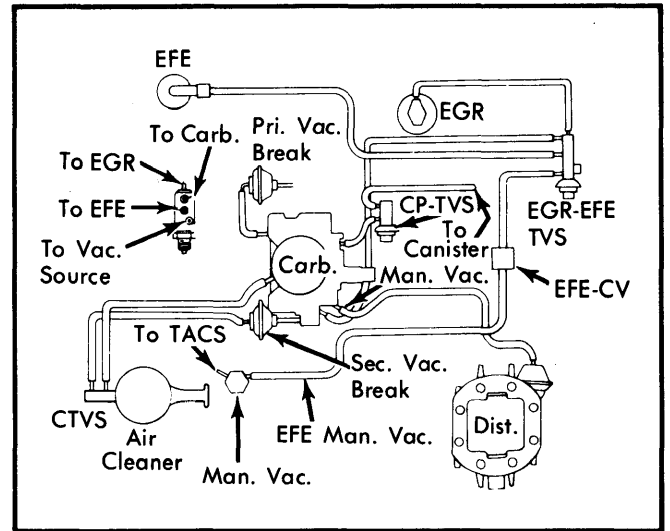


Fig. 45 231"; All Trans.; Federal & High Alt. (Starfire, Omega, Cutlass, 88)

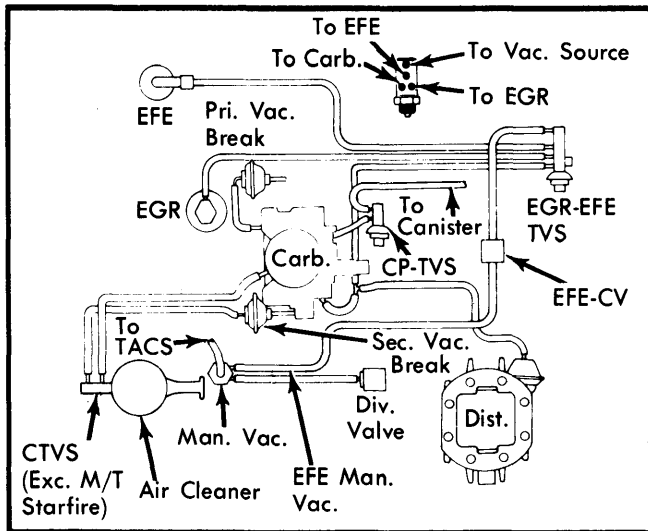


Fig. 46 231"; All Trans.; Calif. (Starfire, Omega, Cutlass, 88)

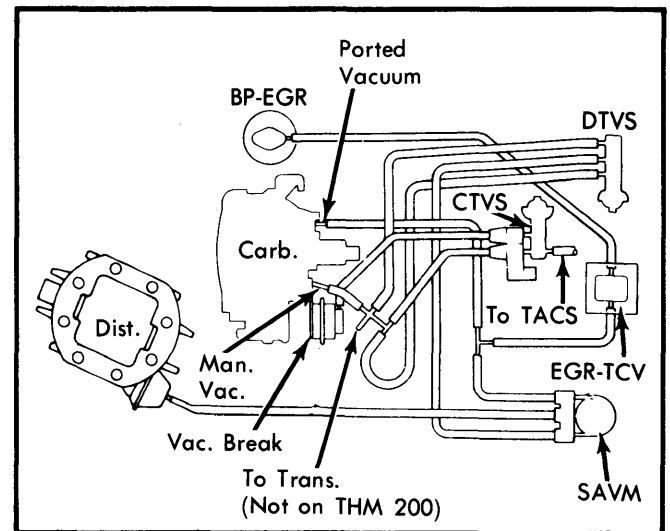


Fig. 47 260"; Auto. Trans.; Federal (Cutlass, 88)

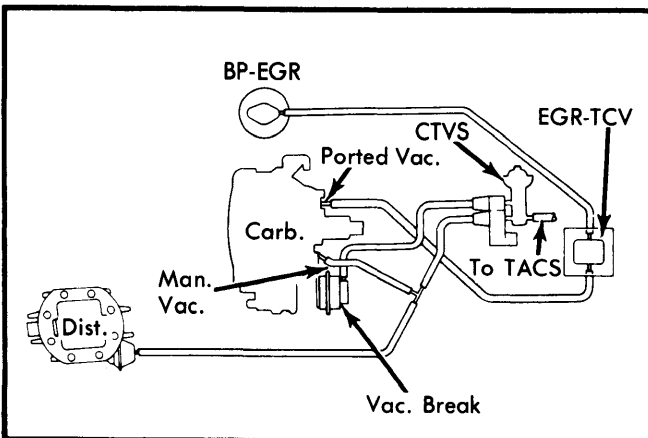


Fig. 48 260"; 5-Speed; Federal (Cutlass, 88)

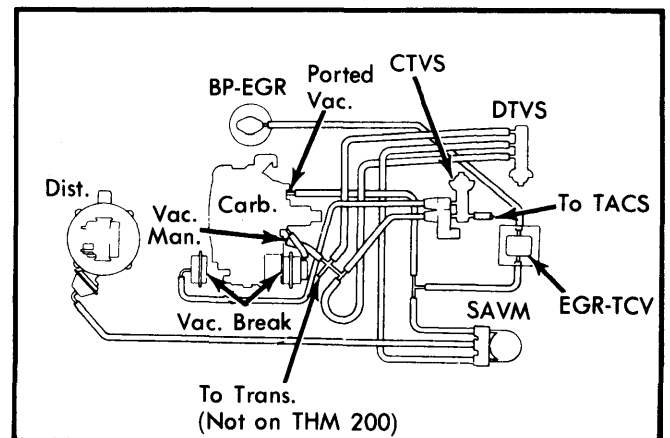


Fig. 49 260"; Auto. Trans.; High Alt. (Cutlass)

1978 EXHAUST EMISSION SYSTEMS Oldsmobile Vacuum Diagrams (Cont.)

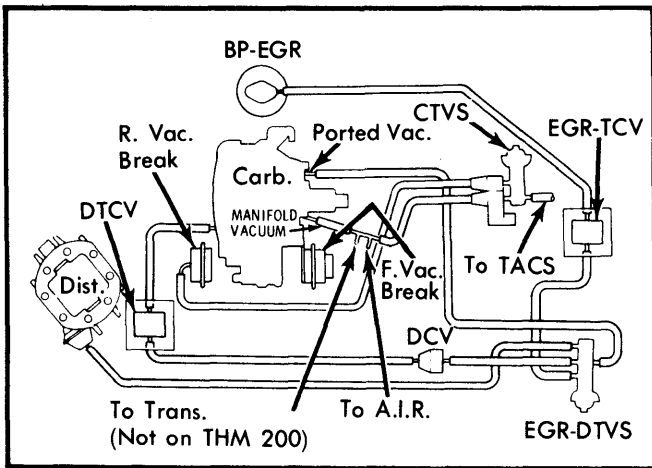


Fig. 50 260"; Auto. Trans.; Calif. (Cutlass)

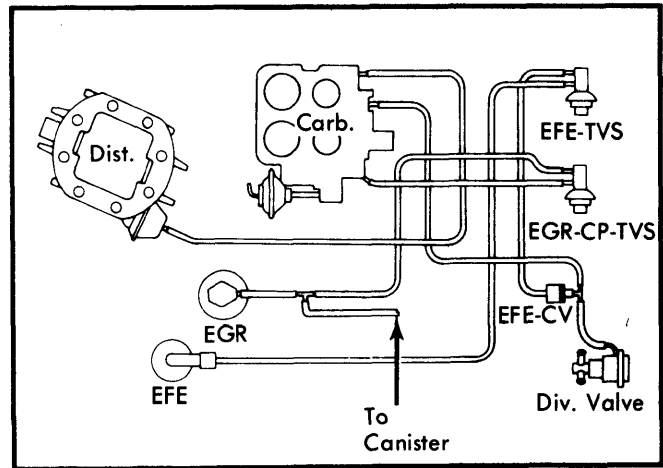


Fig. 51 305"; All Trans.; Federal (Cutlass)

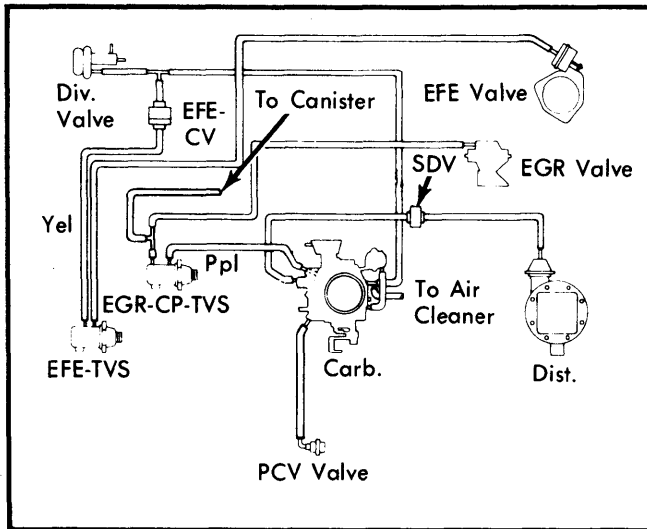


Fig. 52 305"; All Trans.; Calif. & High Alt. (Cutlass)

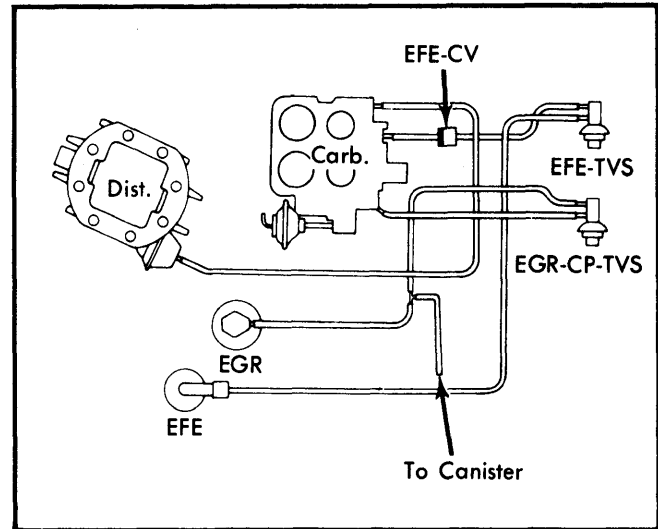


Fig. 53 350" (VIN L); Auto. Trans.; High Alt. (Omega, Cutlass)

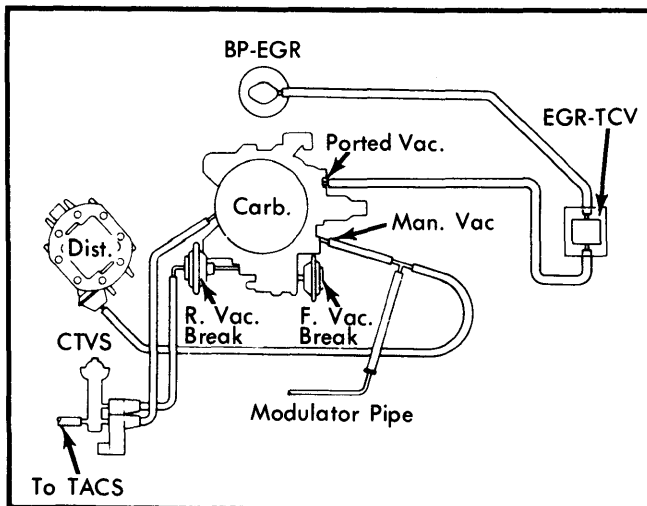


Fig. 54 350" (VIN R) & 403"; Auto. Trans.; Federal (88, 98)

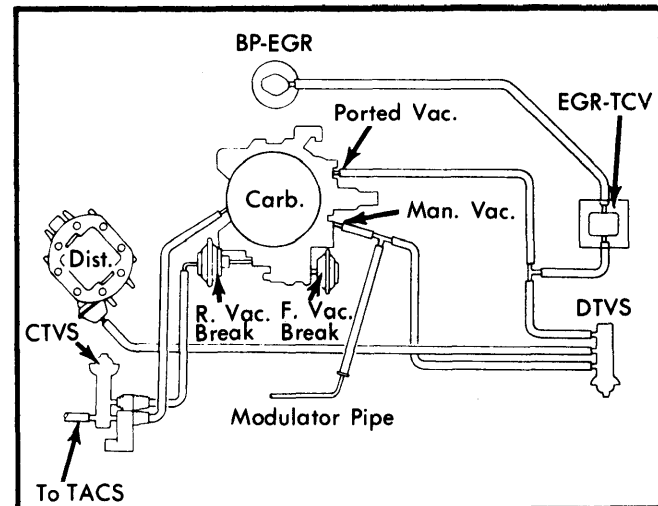


Fig. 55 350" (VIN R) & 403"; Auto. Trans.; High Alt. (88, 98)

1978 EXHAUST EMISSION SYSTEMS Oldsmobile Vacuum Diagrams (Cont.)

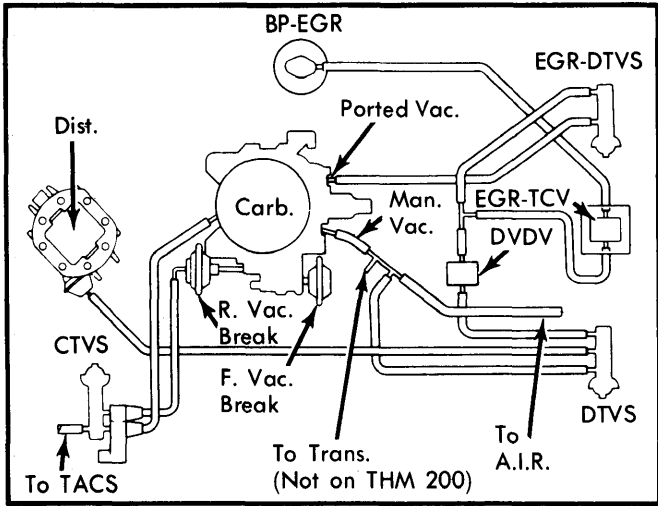


Fig. 56 350" (VIN R) & 403"; Auto. Trans.; Calif. (88, 98)

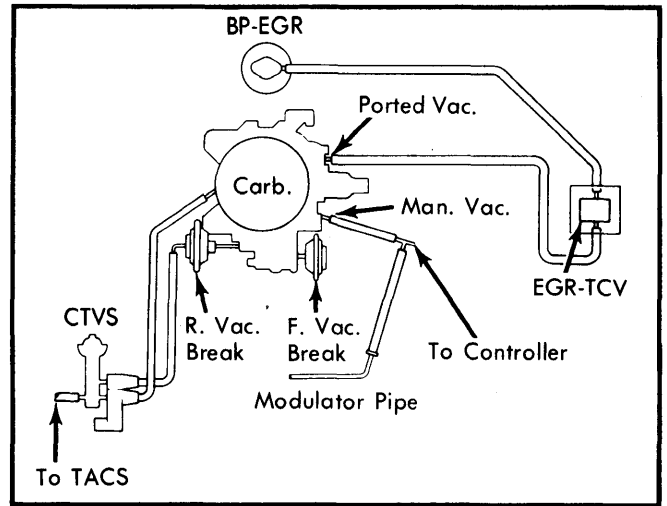


Fig. 57 403"; Auto. Trans.; Federal (Toronto)

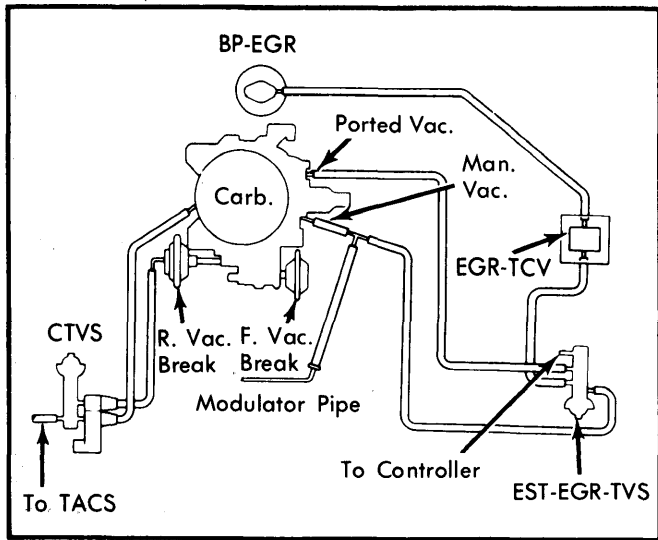


Fig. 58 403"; Auto. Trans.; High Alt. (Toronto)

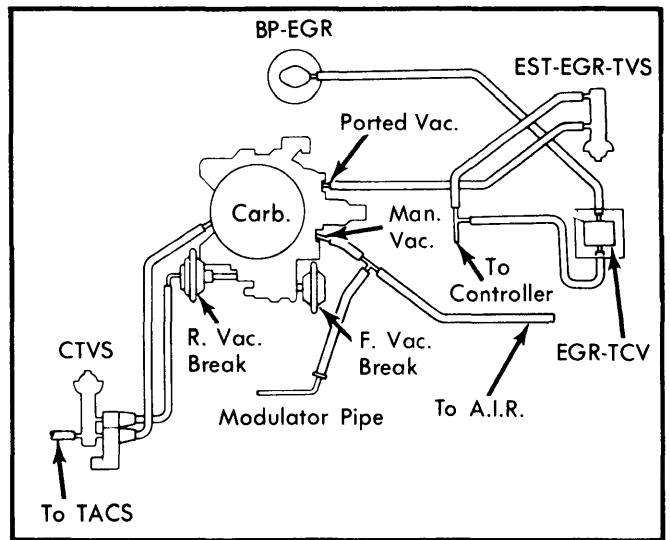


Fig. 59 403"; Auto. Trans.; Calif. (Toronto)

Pontiac Vacuum Diagrams

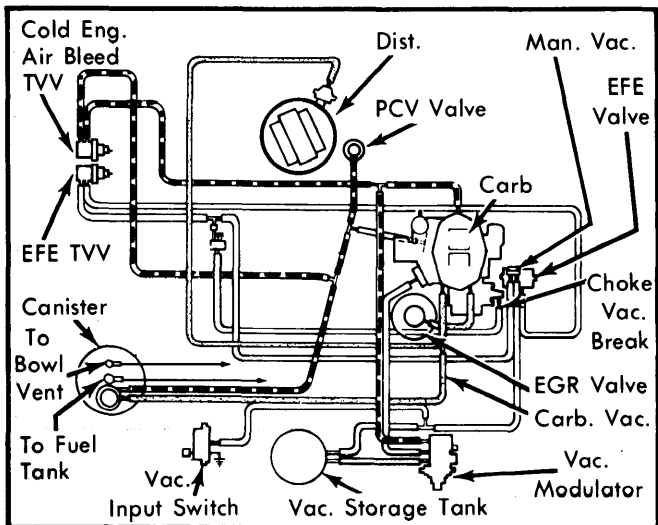


Fig. 60 151" (VIN 1); Calif.; Auto. Trans. (All Models)

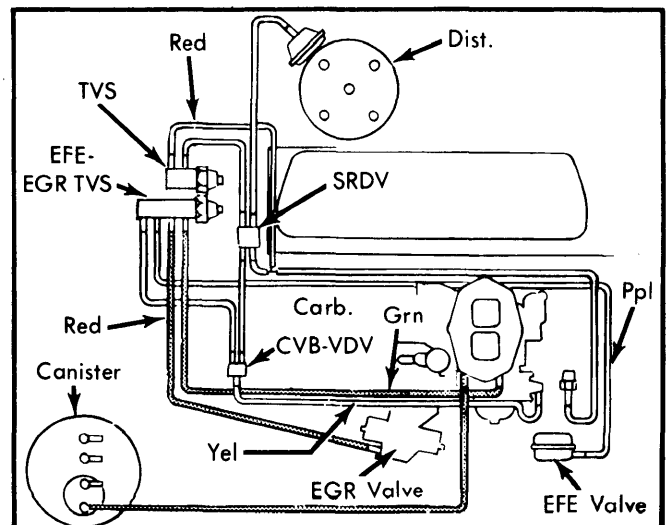


Fig. 61 151" (VIN V); Federal; Non-A/C (All Models)

1978 EXHAUST EMISSION SYSTEMS Pontiac Vacuum Diagrams (Cont.)

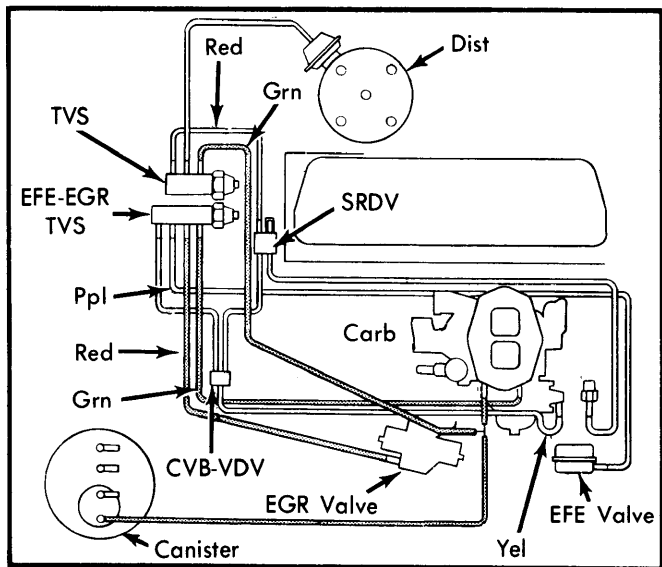


Fig. 62 151" (VIN V); Federal; Auto. Trans.; A/C (All Models)

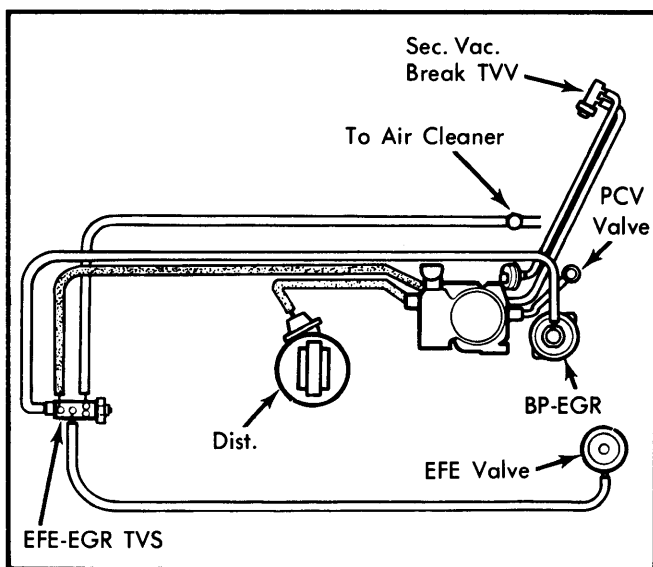


Fig. 63 231" (VIN A); Federal; Auto. Trans. (All Models)

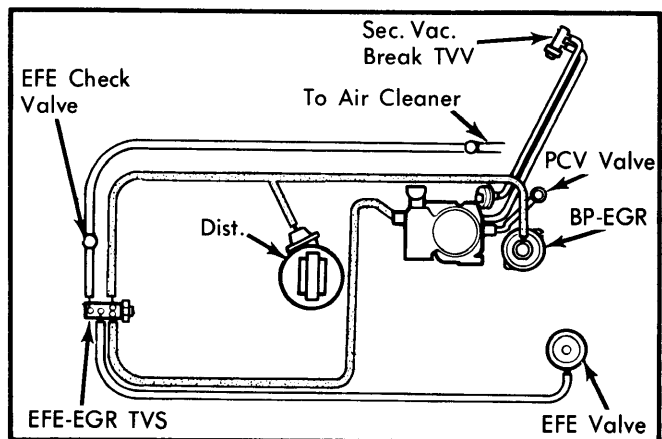


Fig. 64 231" (VIN A); Federal; Man. Trans. (Man. Trans.)

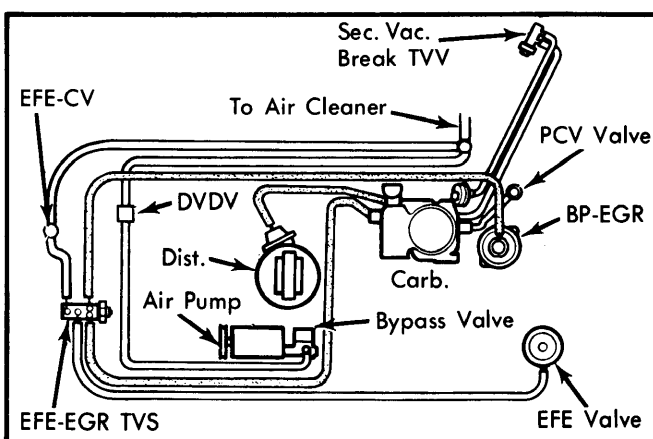


Fig. 65 231" (VIN A); High Alt. (All Models)

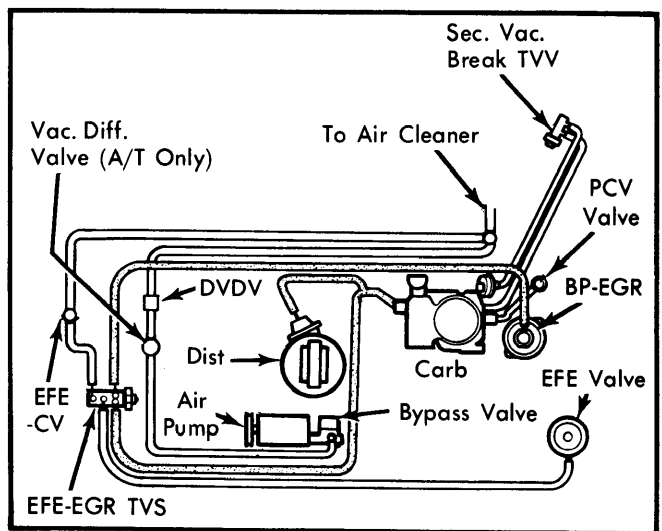


Fig. 66 231" (VIN A); Calif. (All Models)

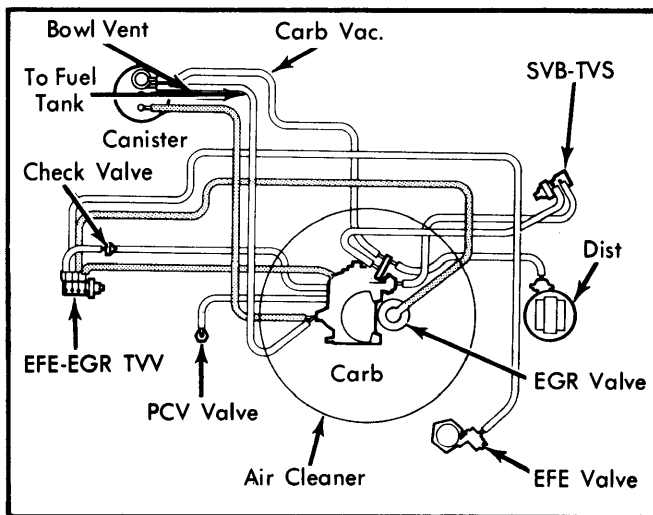


Fig. 67 301" (VIN Y); 2-Bbl.; Federal; Man. Trans.; Non-A/C (All Models)

1978 EXHAUST EMISSION SYSTEMS Pontiac Vacuum Diagrams (Cont.)

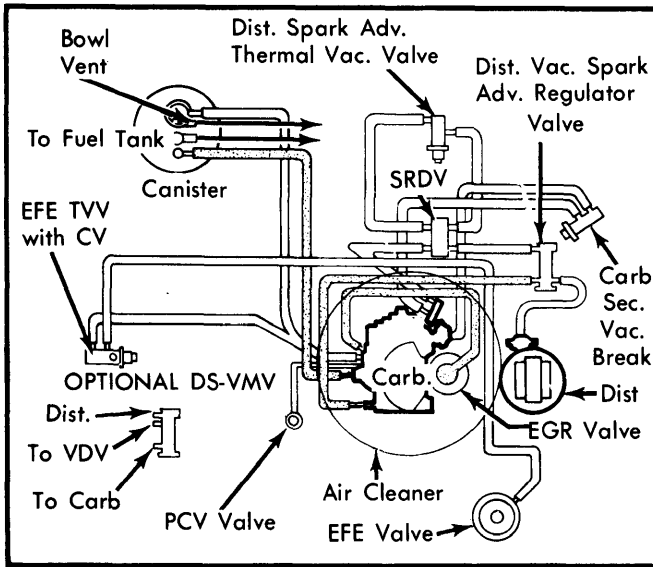


Fig. 68 301" (VIN Y); Federal; Auto. Trans.; Non-A/C (All Models)

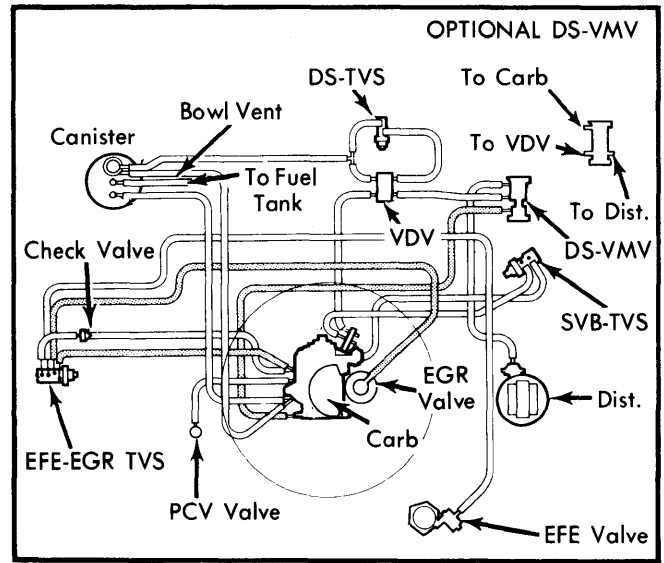


Fig. 69 301" (VIN Y); Federal; Auto. Trans.; A/C (All Models)

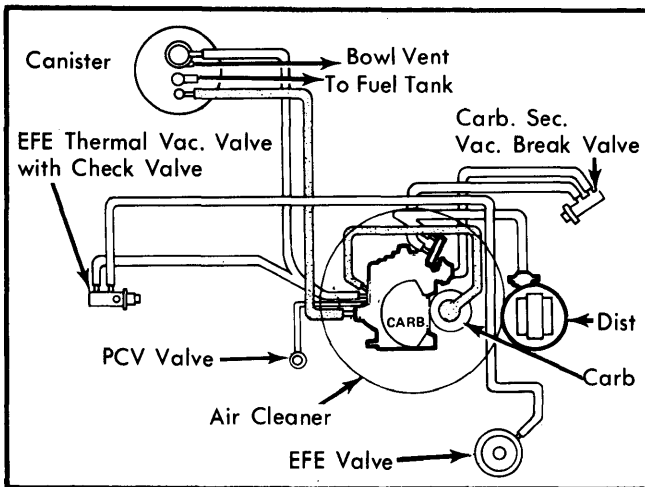


Fig. 70 301" (VIN Y); 2-Bbl.; Federal; Man. Trans.; A/C (All Models)

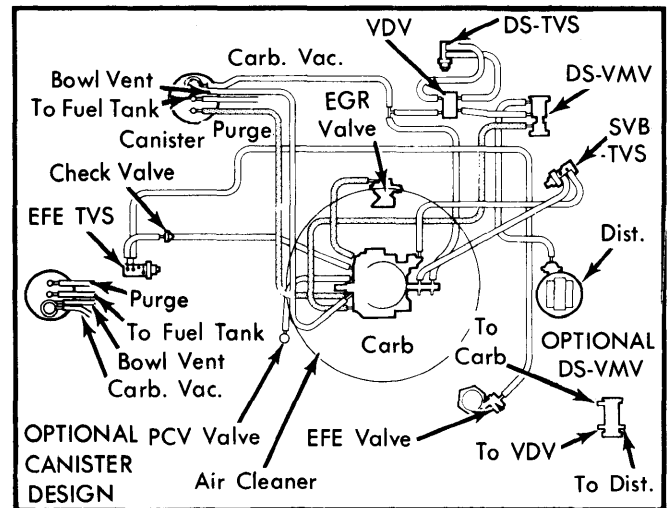


Fig. 71 301" (VIN W); 4-Bbl.; Federal; Auto. Trans. A/C (All Models)

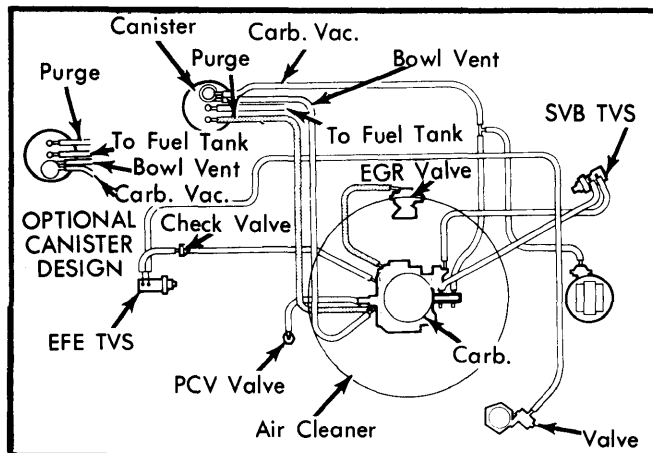


Fig. 72 301" (VIN W); 4-Bbl.; Federal; Non-A/C (All Models)

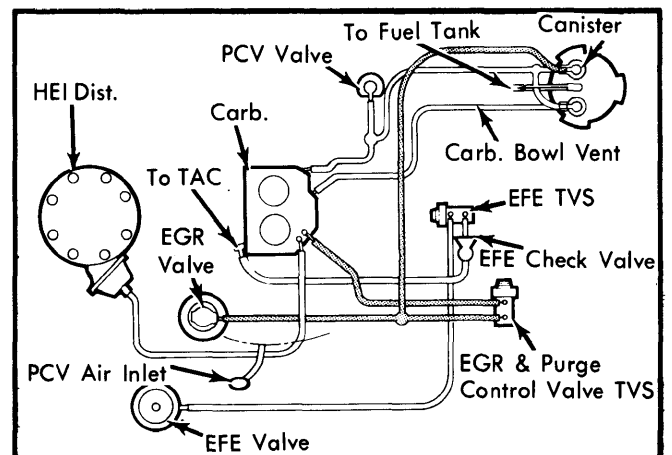


Fig. 73 305" (VIN U); 2-Bbl.; Federal (All Models)

1978 EXHAUST EMISSION SYSTEMS Pontiac Vacuum Diagrams (Cont.)

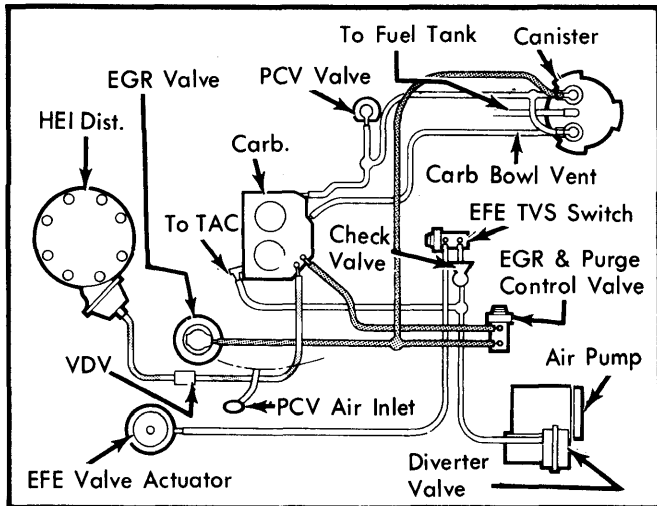


Fig. 74 305" (VIN U); 2-Bbl.; Calif. & High Alt. (All Models)

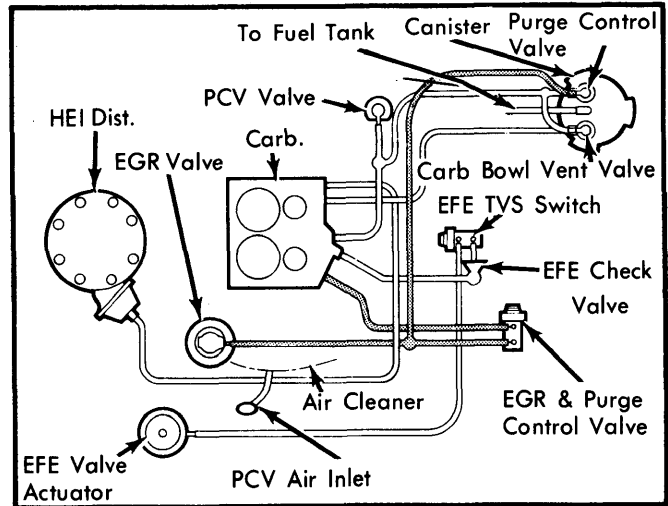


Fig. 75 350" (VIN L); 4-Bbl.; Federal (All Models)

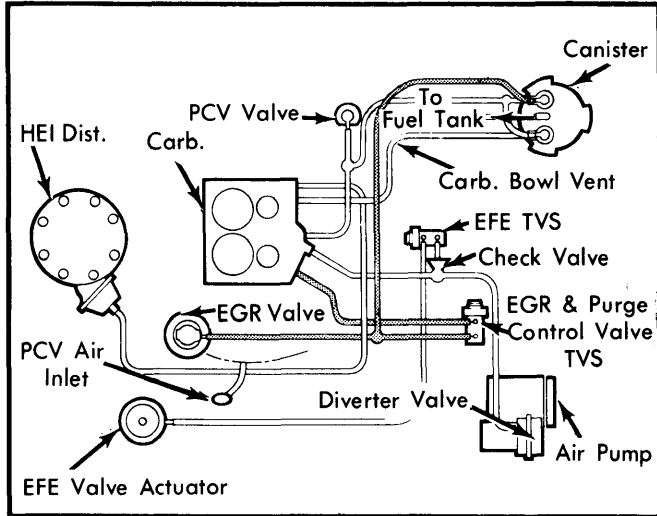


Fig. 76 350" (VIN L); 4-Bbl.; Calif. & High Alt. (All Models)

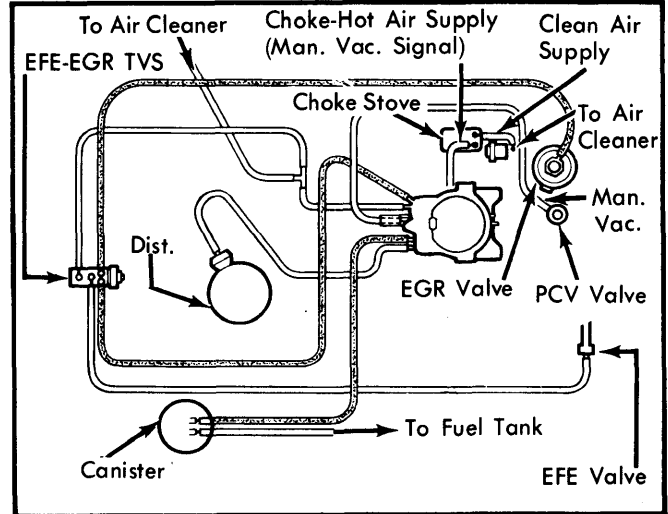


Fig. 77 350" (VIN X); 4-Bbl.; Federal (All Models)

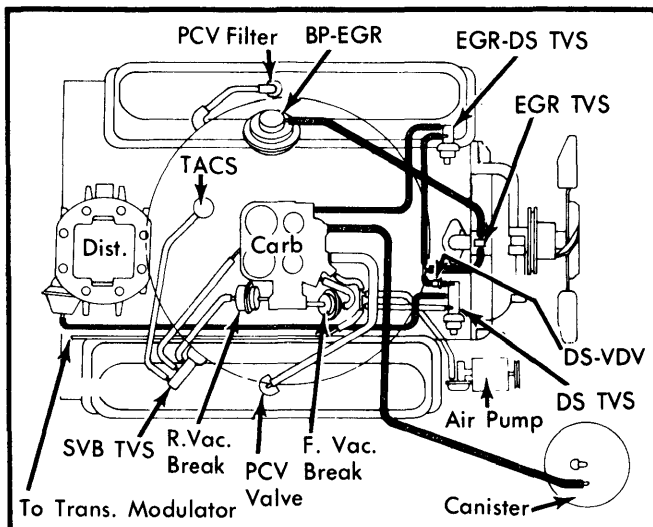


Fig. 78 350" (VIN R) & 403" (VIN K); 4-Bbl.; Calif. (All Models)

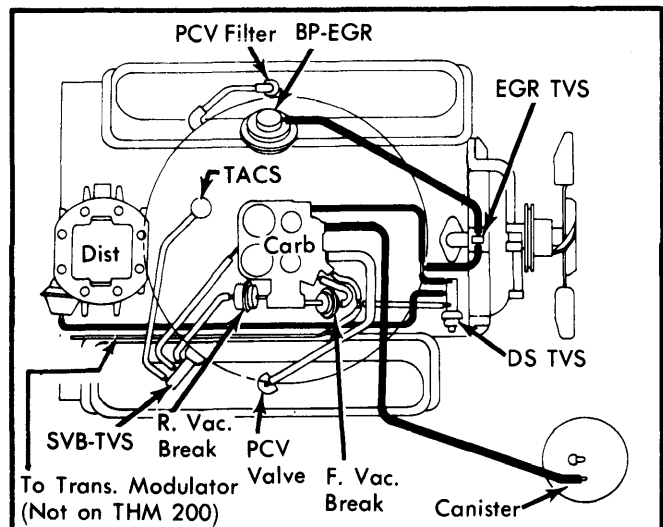


Fig. 79 350" (VIN R) & 403" (VIN K); 4-Bbl.; High Alt. (All Models)

1978 EXHAUST EMISSION SYSTEMS Pontiac Vacuum Diagrams (Cont.)

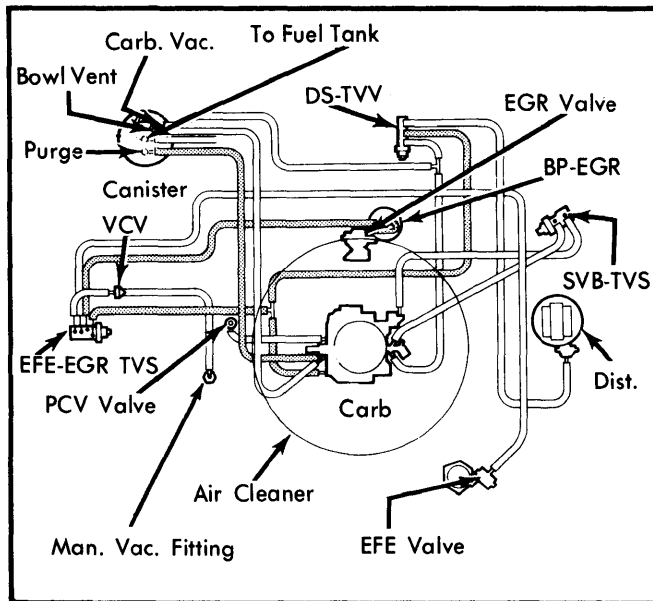


Fig. 80 400" (VIN Z); 4-Bbl.; Man. Trans. (All Models)

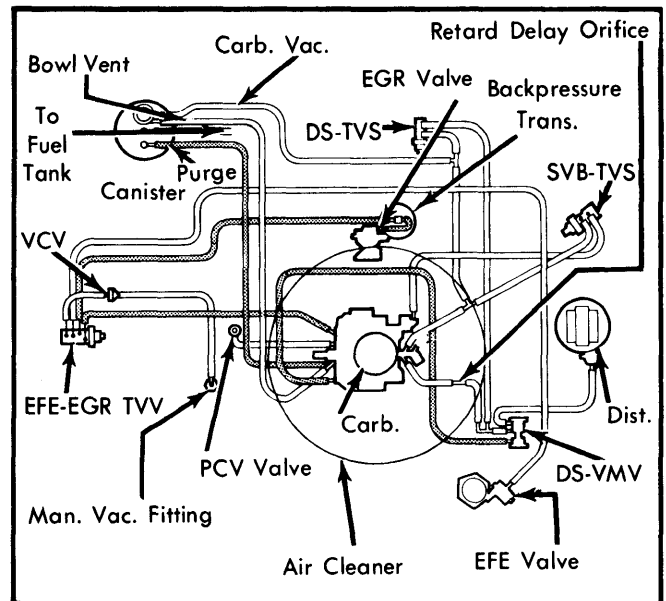


Fig. 81 400" (VIN Z); 4-Bbl.; Auto. Trans.; Single Exhaust (All Models)

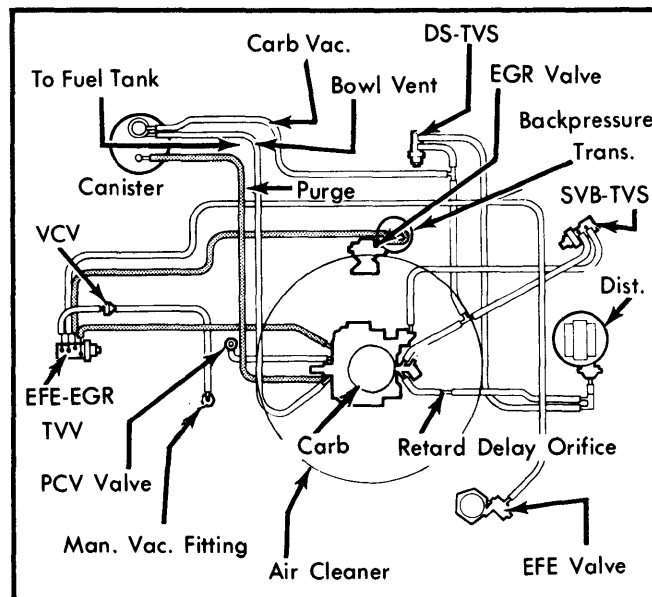


Fig. 82 400" (VIN Z); 4-Bbl.; Auto. Trans.; Dual Exhaust (All Models)