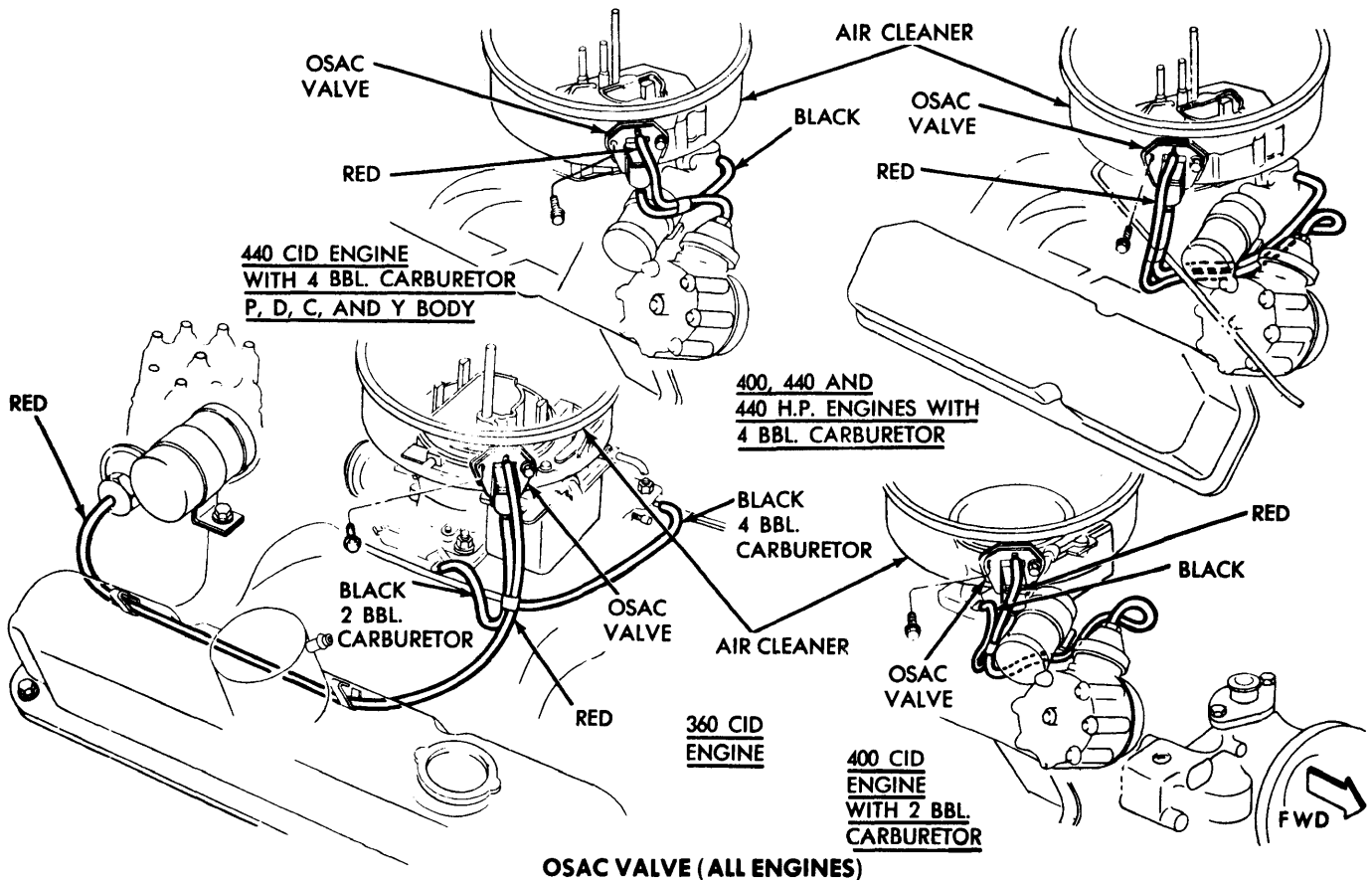
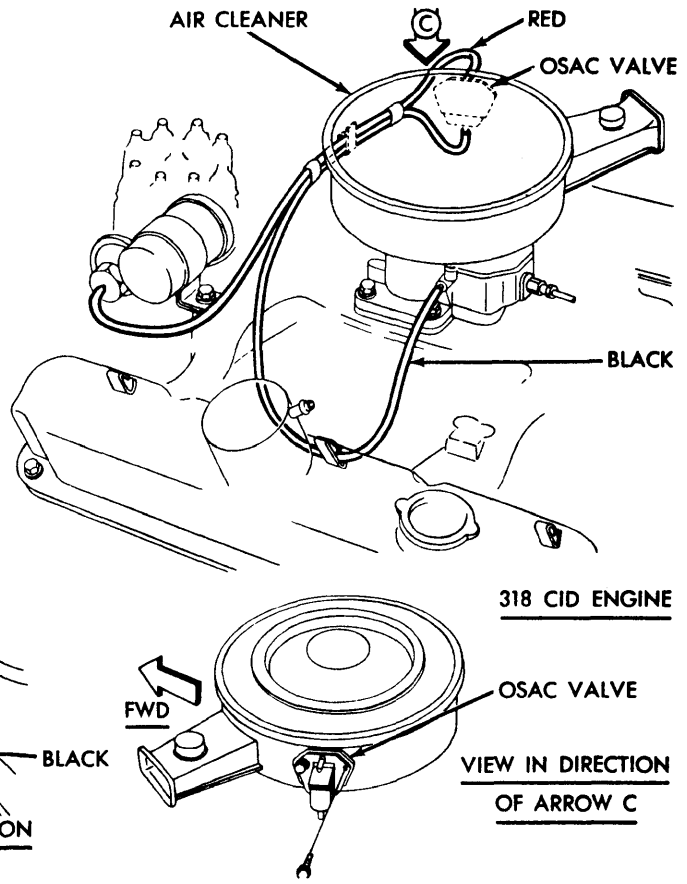
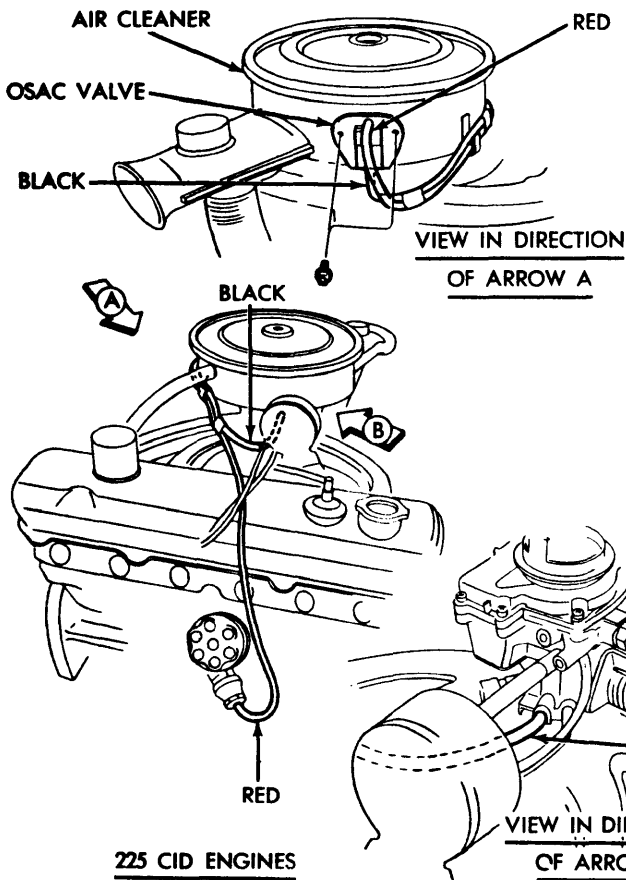
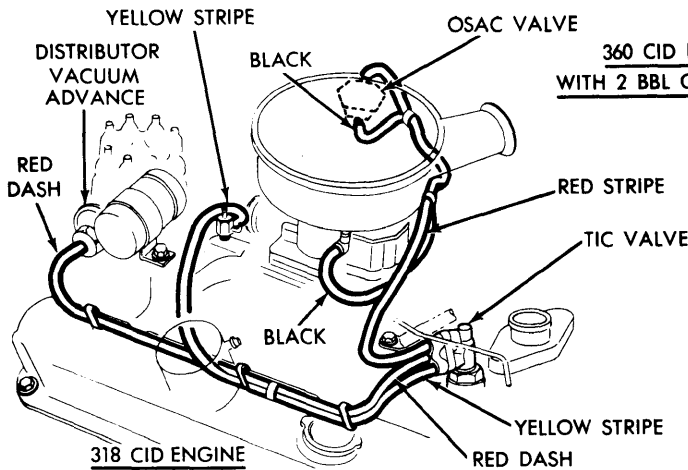
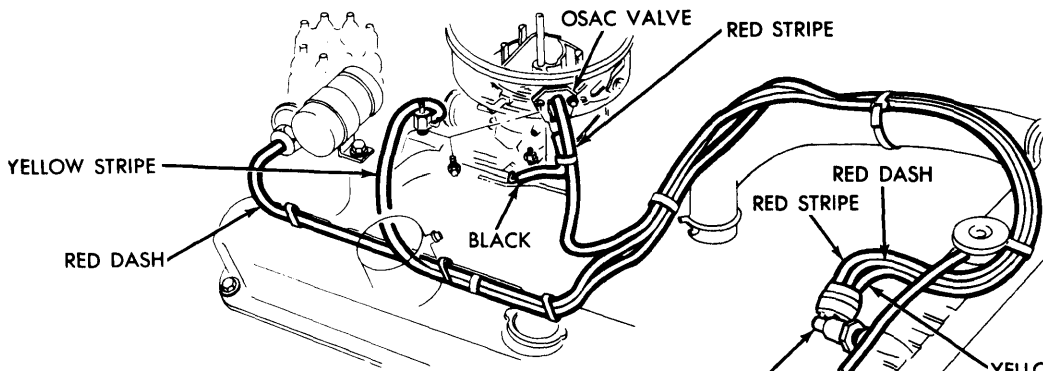


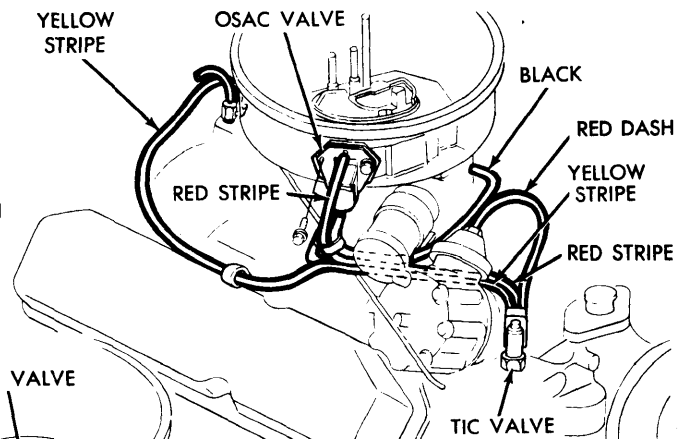
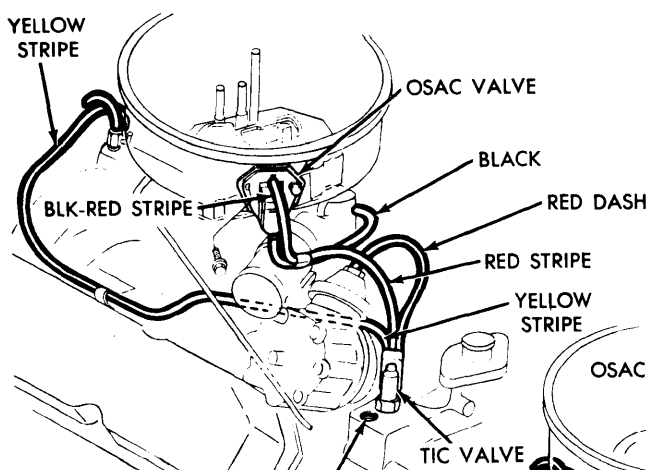
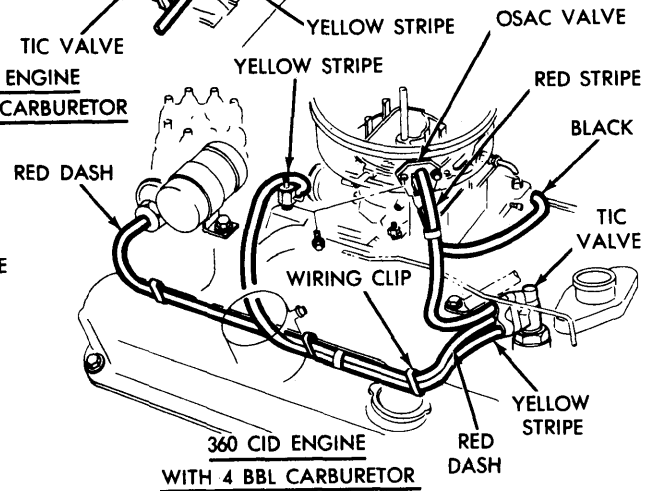
1975 EXHAUST EMISSION SYSTEMS Chrysler Corp. Vacuum Diagrams



1975 EXHAUST EMISSION SYSTEMS Chrysler Corp. Vacuum Diagrams (Cont.)

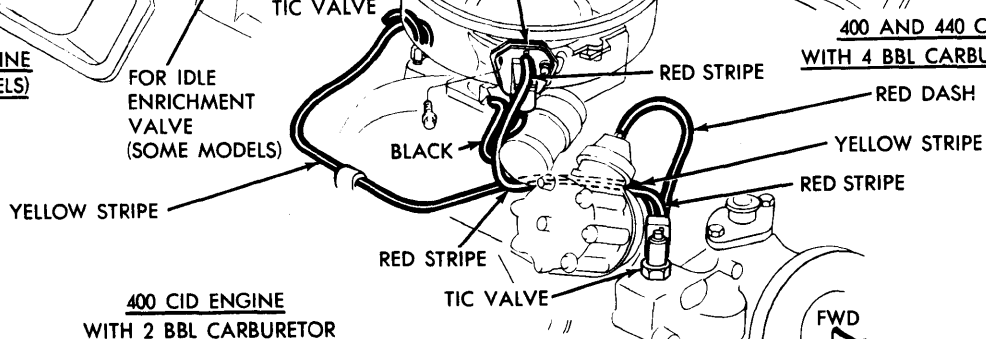


360 CID ENGINE
WITH 2 BBL CARBURETOR



440 CID ENGINE
(SOME MODELS)

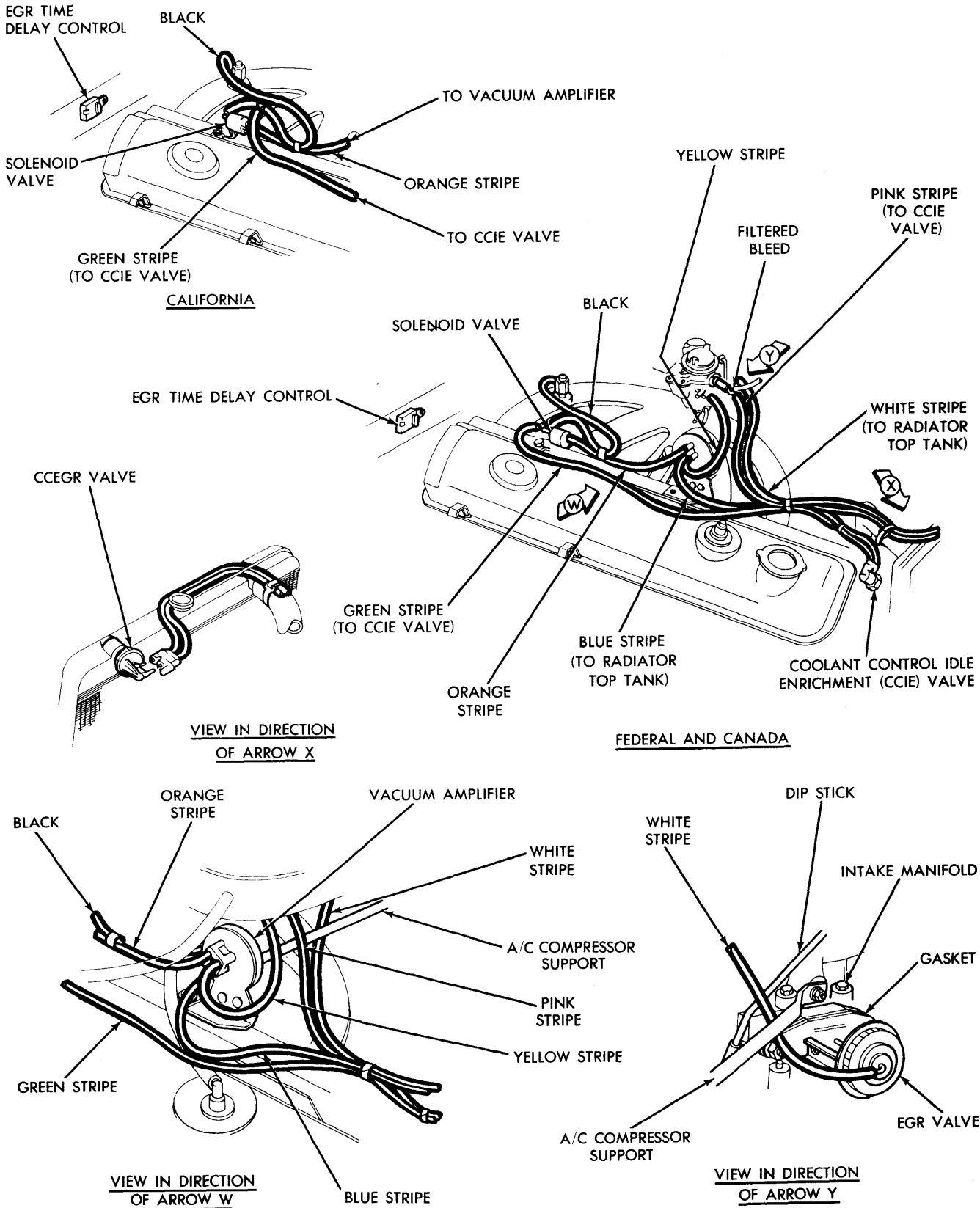
FOR IDLE
ENRICHMENT
VALVE
(SOME MODELS)



FWD

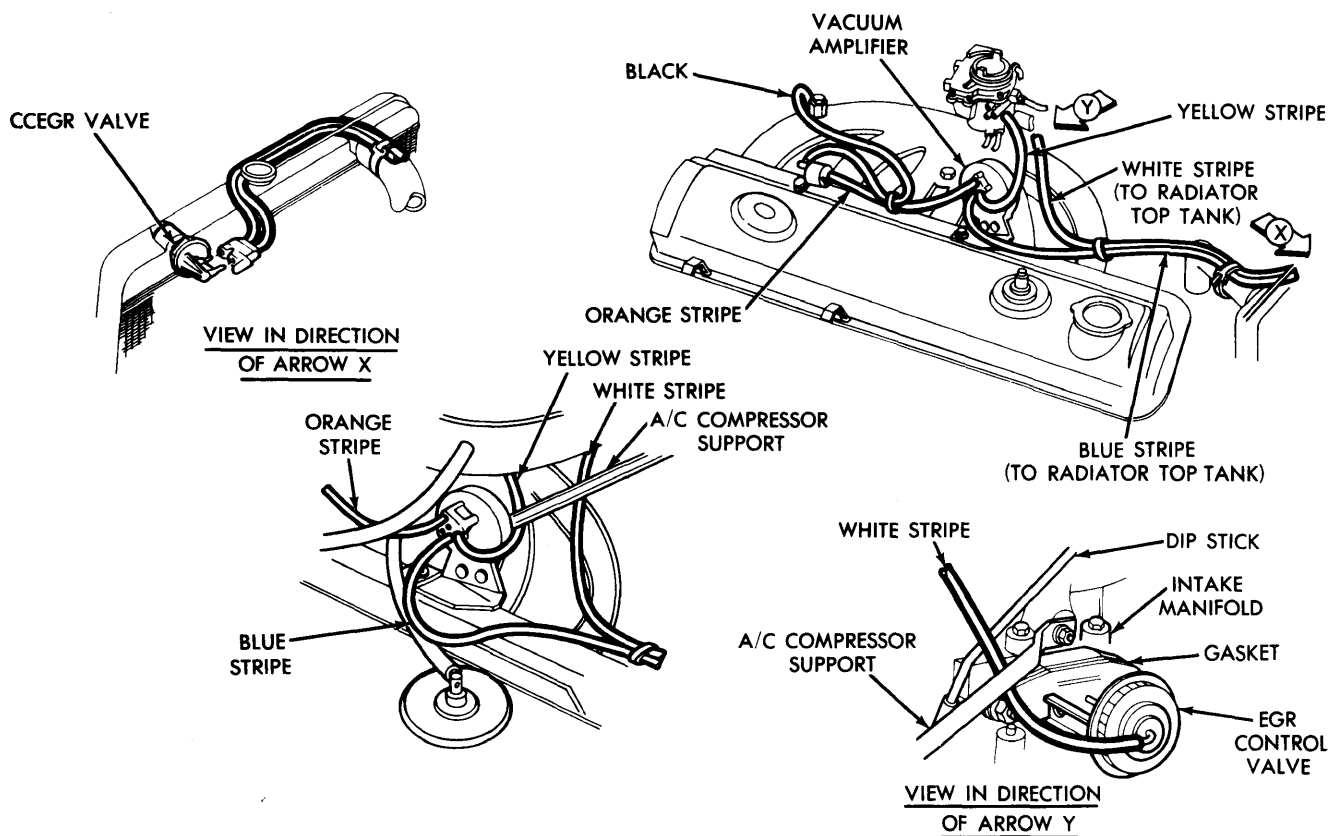
THERMAL IGNITION CONTROL (TIC) VALVE (ALL ENGINES)

1975 EXHAUST EMISSION SYSTEMS Chrysler Corp. Vacuum Diagrams (Cont.)

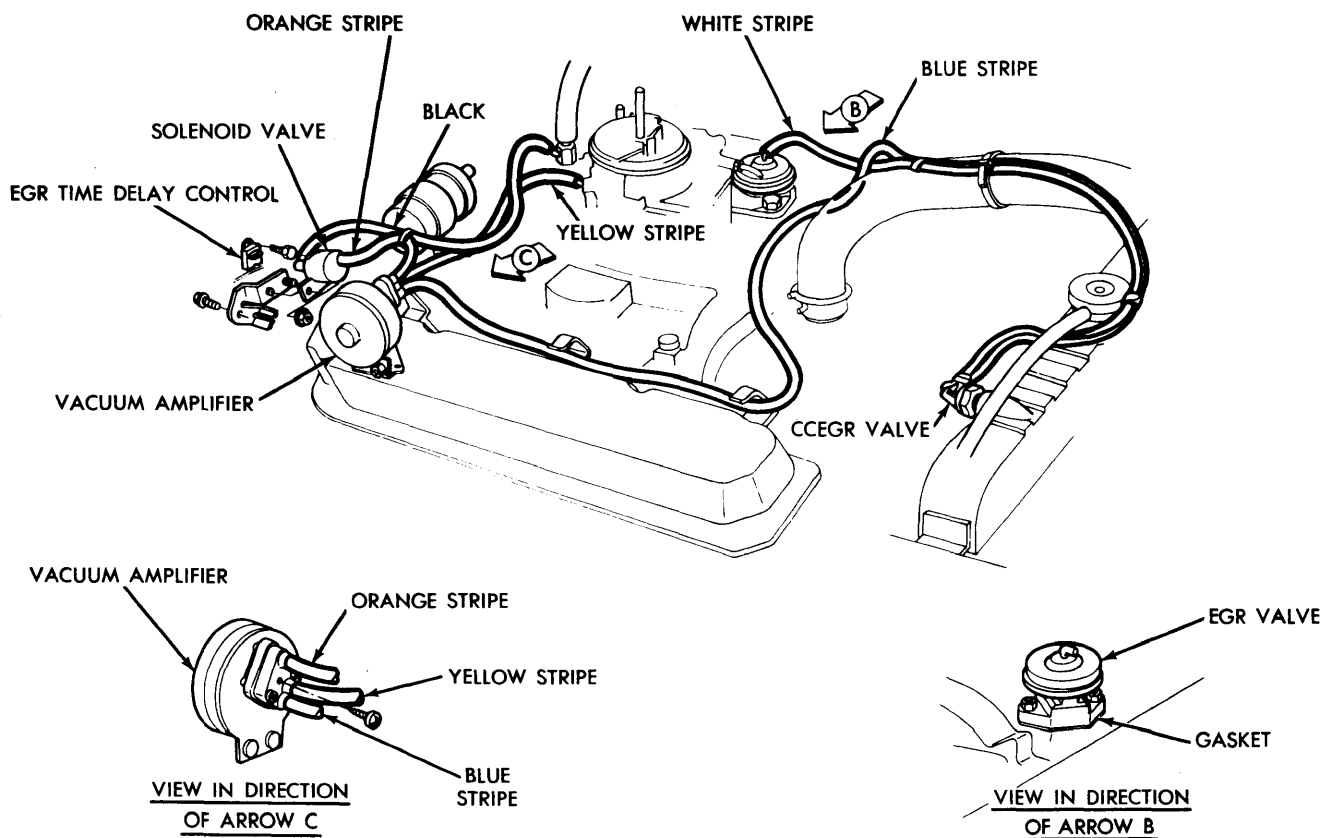


EGR SYSTEM 225" AUTO. TRANS.

1975 EXHAUST EMISSION SYSTEMS Chrysler Corp. Vacuum Diagrams (Cont.)

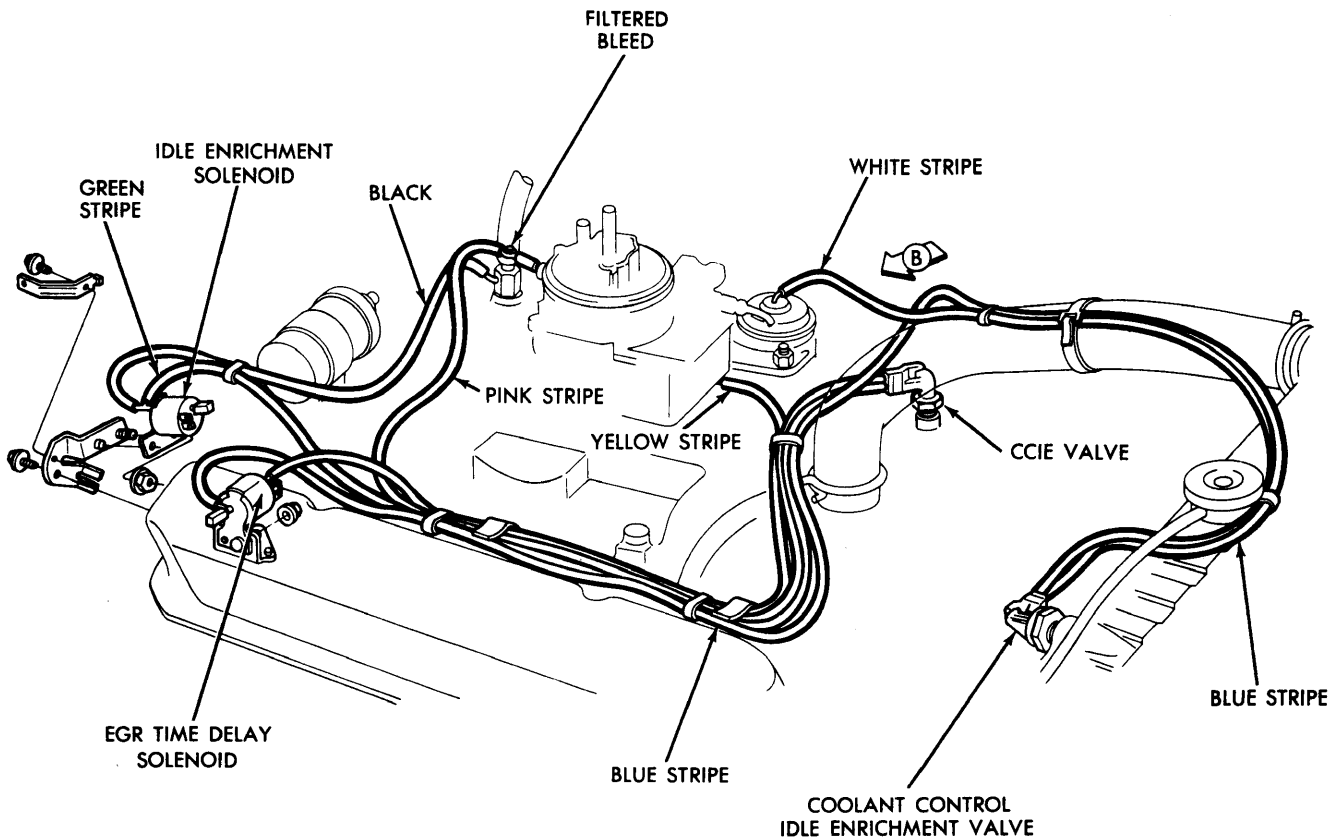


EGR SYSTEM 225" MAN. TRANS.

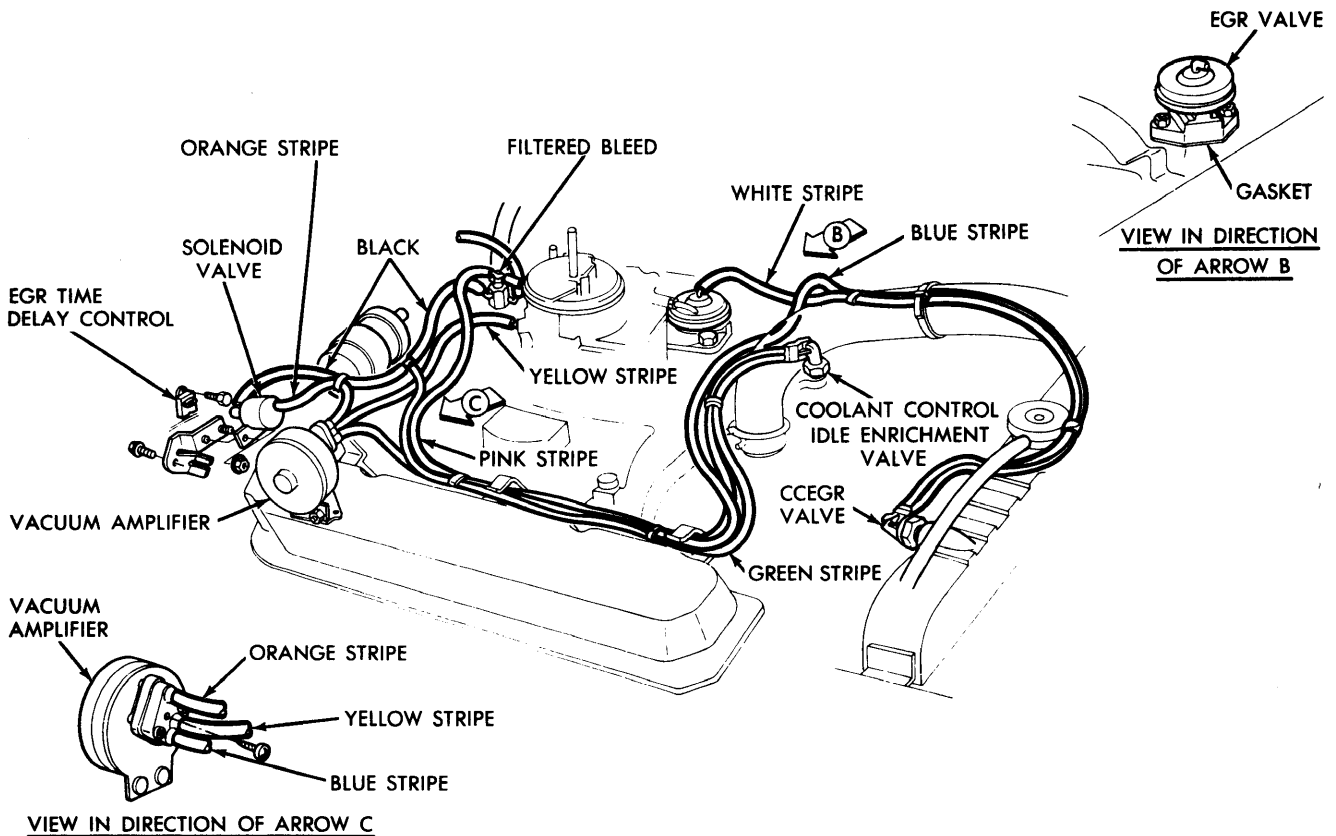


EGR SYSTEM 318" MAN. TRANS. (FEDERAL)

1975 EXHAUST EMISSION SYSTEMS Chrysler Corp. Vacuum Diagrams (Cont.)

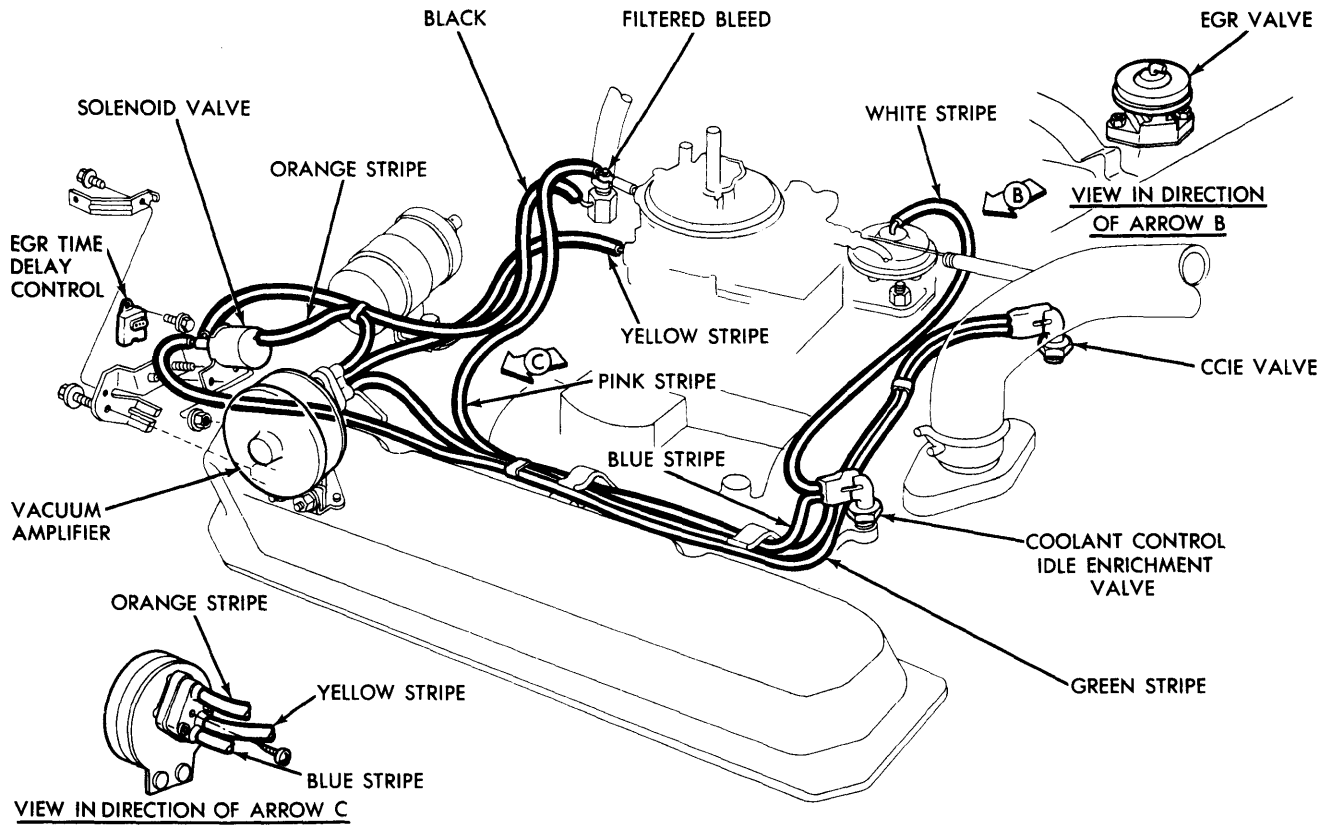


EGR SYSTEM 318" AUTO. TRANS. (FEDERAL)

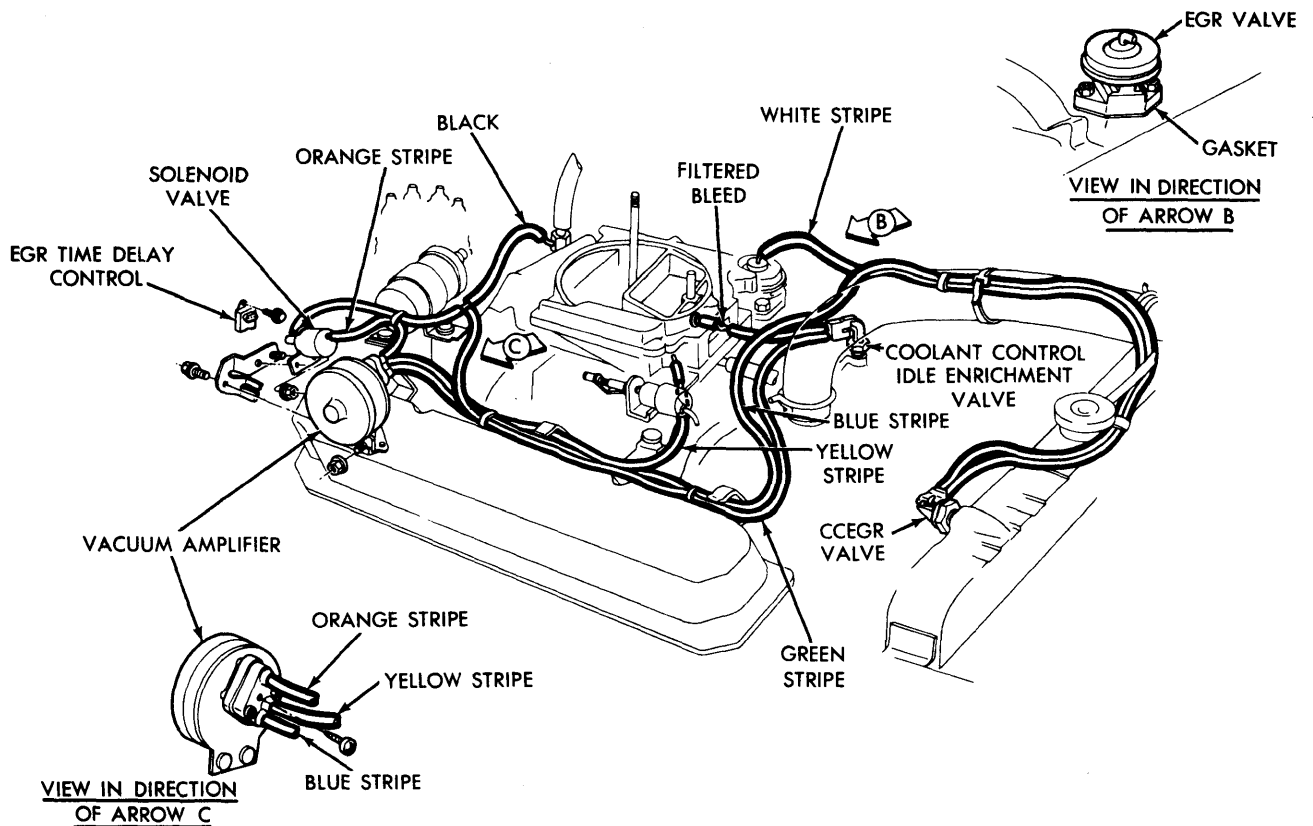


EGR SYSTEM 318" AUTO. TRANS. (CALIFORNIA)

1975 EXHAUST EMISSION SYSTEMS Chrysler Corp. Vacuum Diagrams (Cont.)

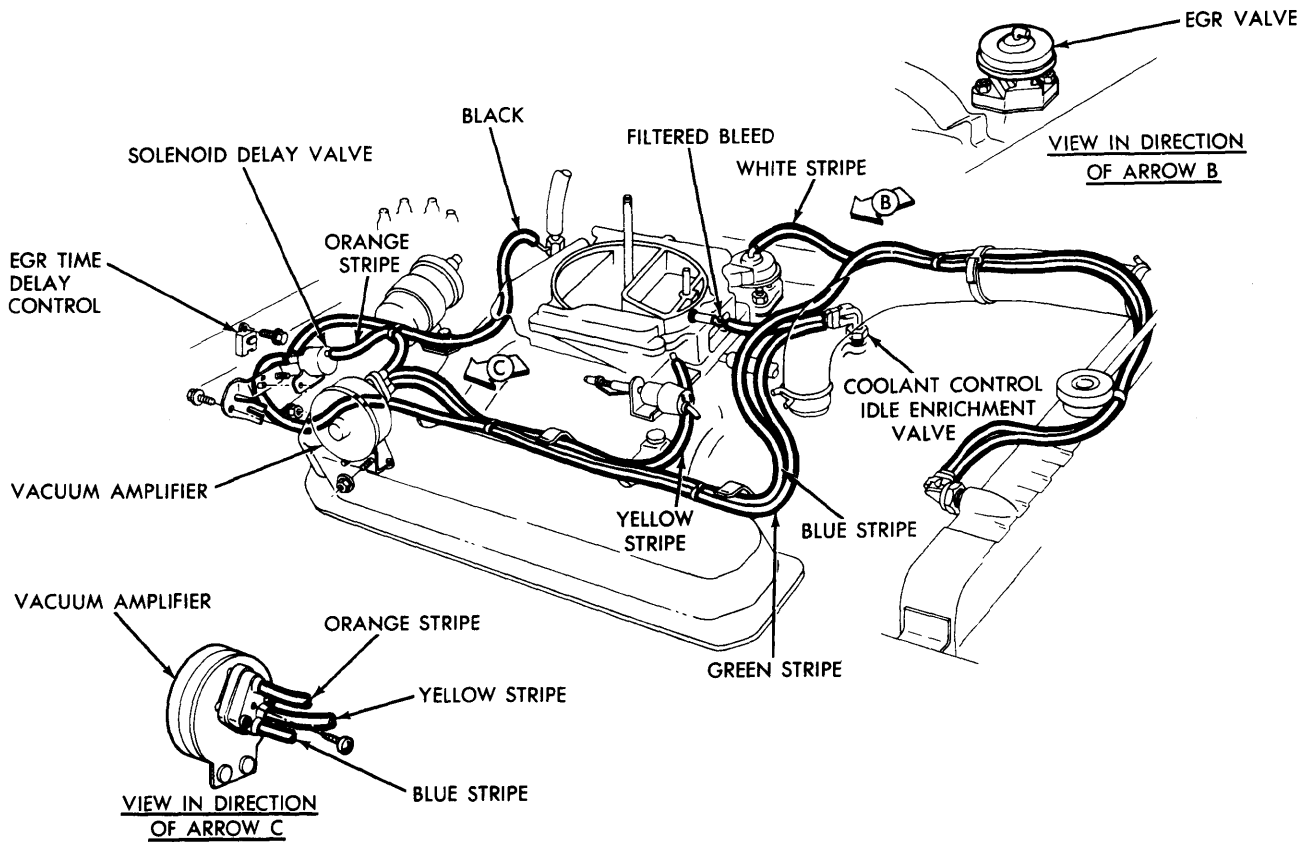


EGR SYSTEM 360" 2-BBL., AUTO. TRANS. (FEDERAL)

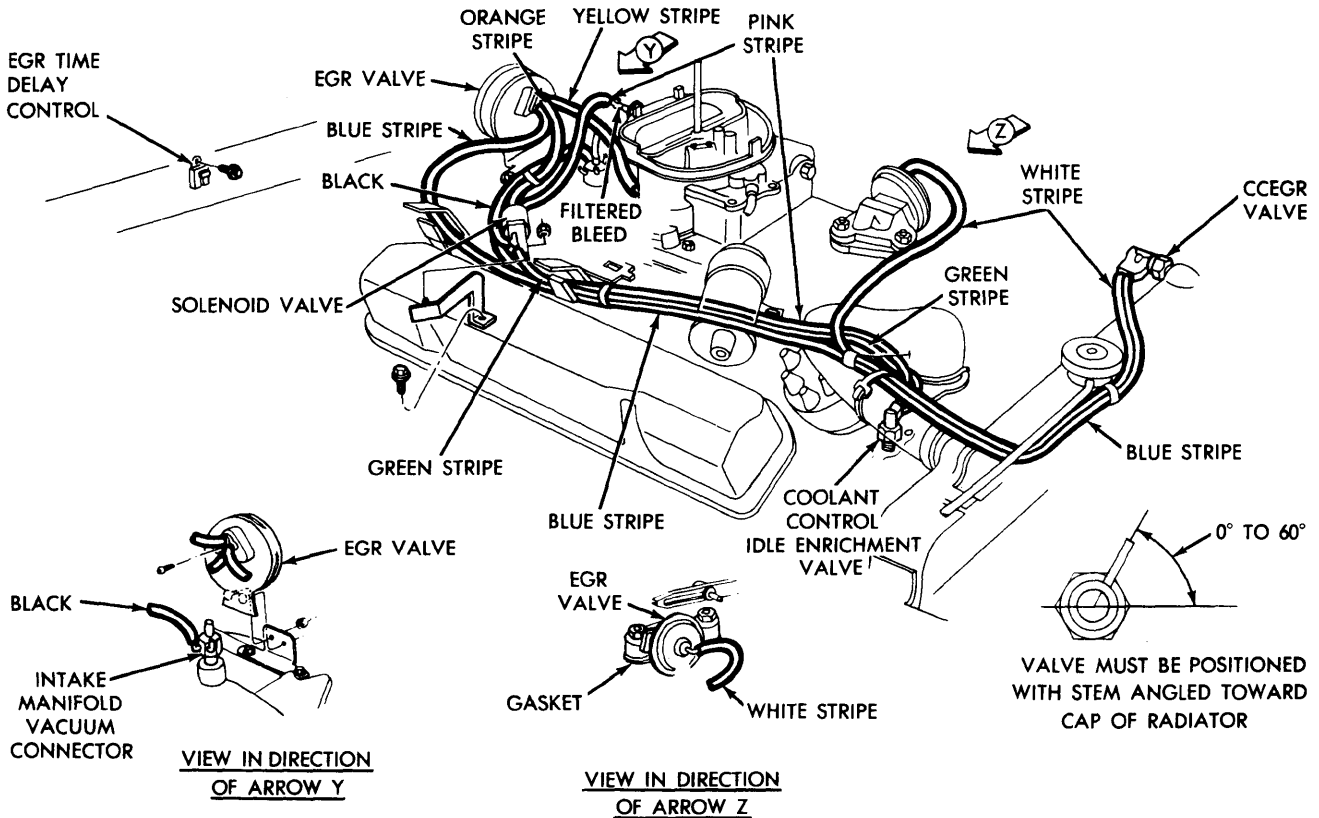


EGR SYSTEM 360" 4-BBL., AUTO. TRANS. (CALIFORNIA)

1975 EXHAUST EMISSION SYSTEMS Chrysler Corp. Vacuum Diagrams (Cont.)

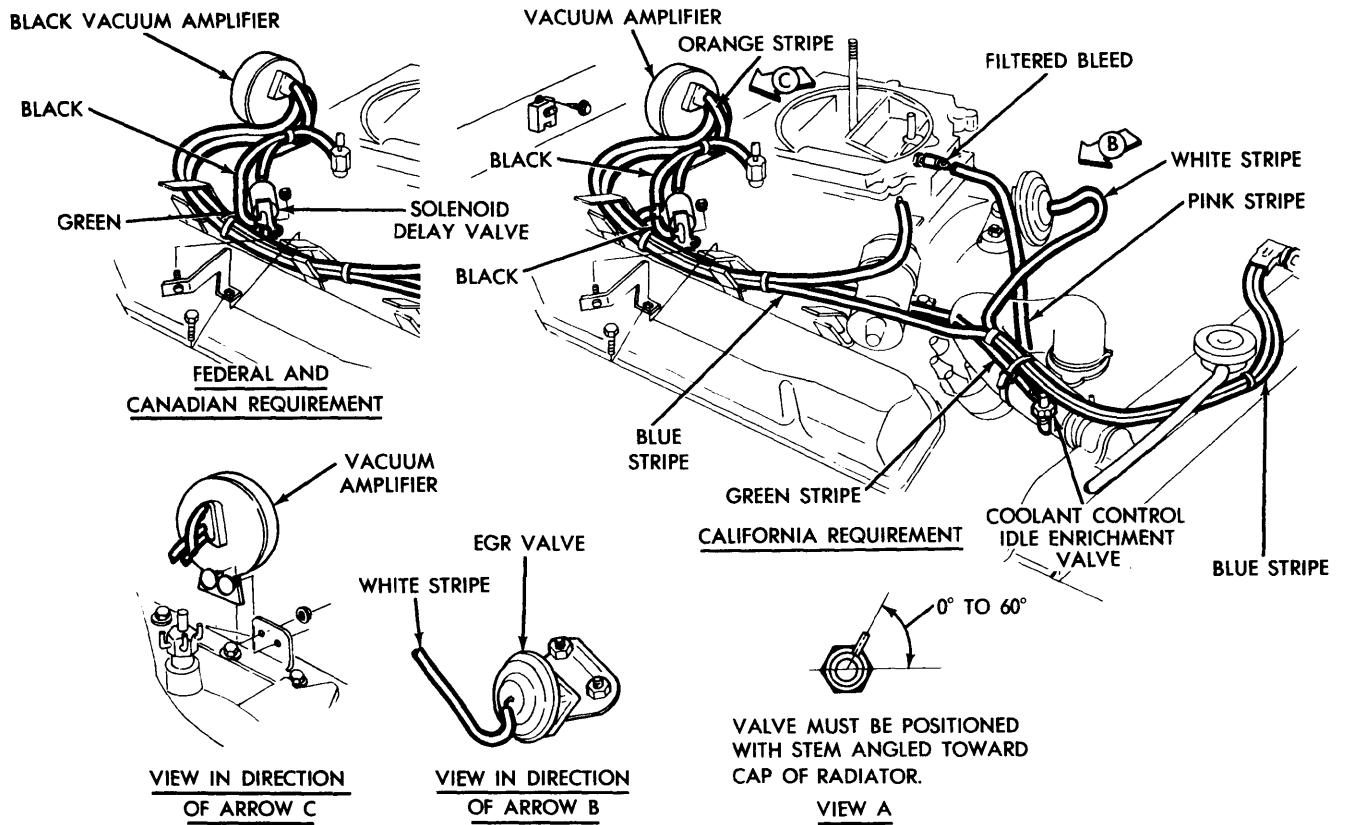


EGR SYSTEM 360" HI PERFORMANCE (FEDERAL)



EGR SYSTEM 400" 2-BBL. (FEDERAL)

1975 EXHAUST EMISSION SYSTEMS Chrysler Corp. Vacuum Diagrams (Cont.)



EGR SYSTEM 400" & 440" 4-BBL.