

1978 EXHAUST EMISSION SYSTEMS American Motors Vacuum Diagrams

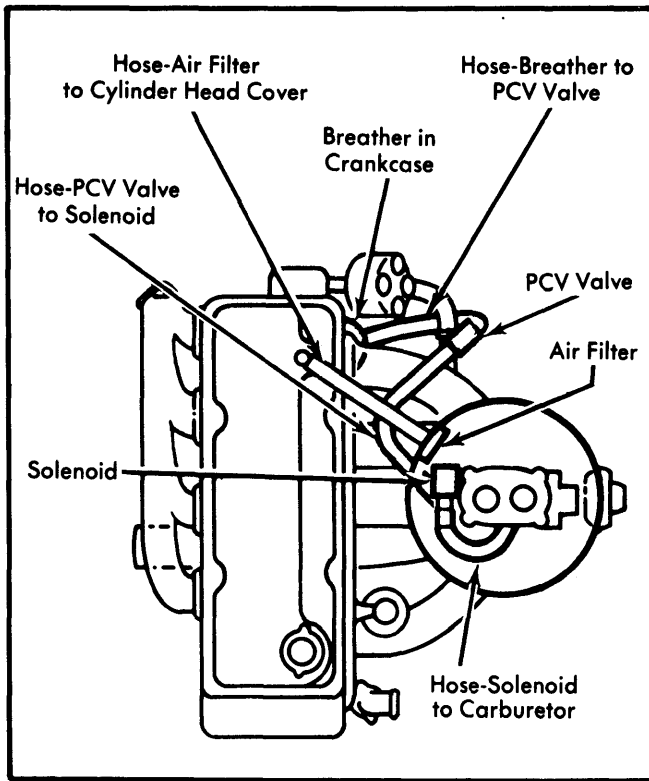


Fig. 1 PCV System for 4 Cylinder Engines

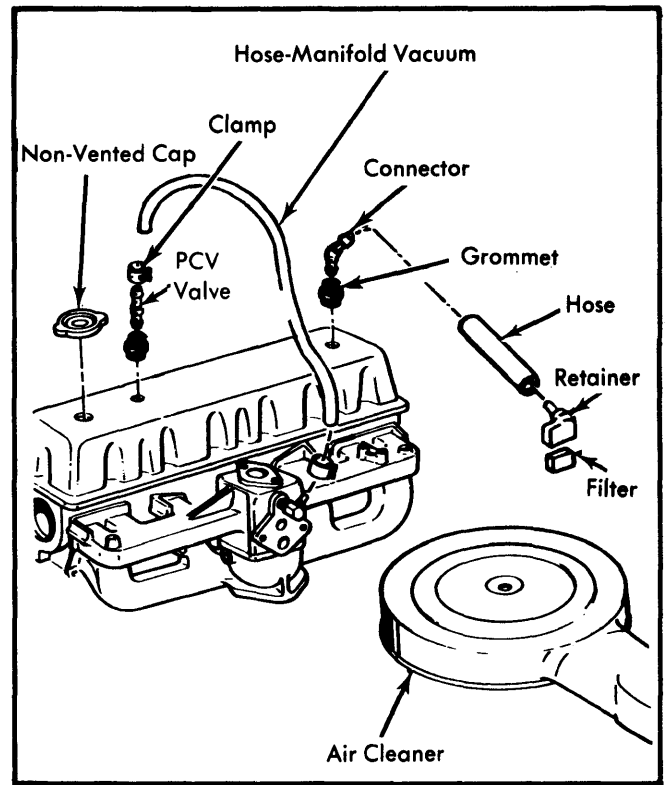


Fig. 2 PCV System for 6 Cylinder Engines

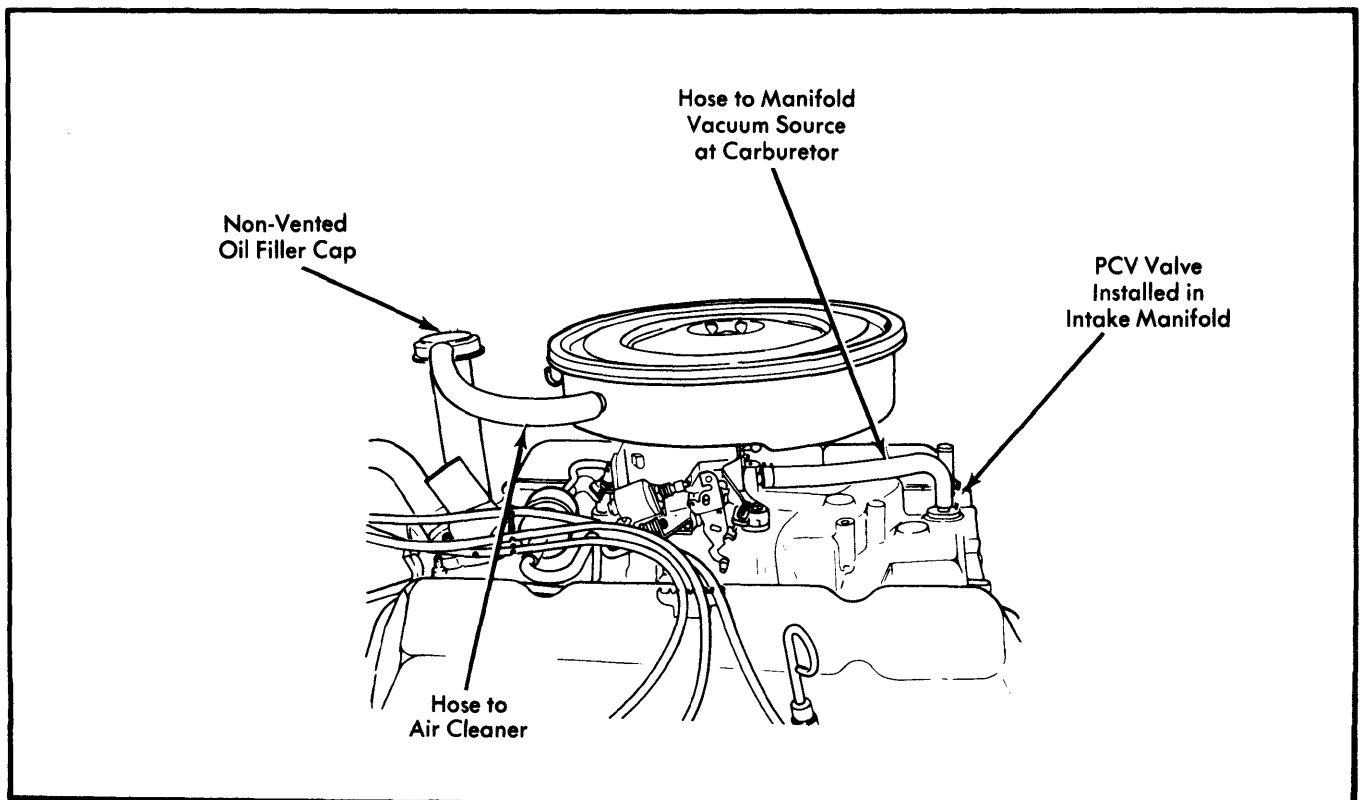


Fig. 3 PCV System for V8 Engines

1978 EXHAUST EMISSION SYSTEMS American Motors Vacuum Diagrams (Cont.)

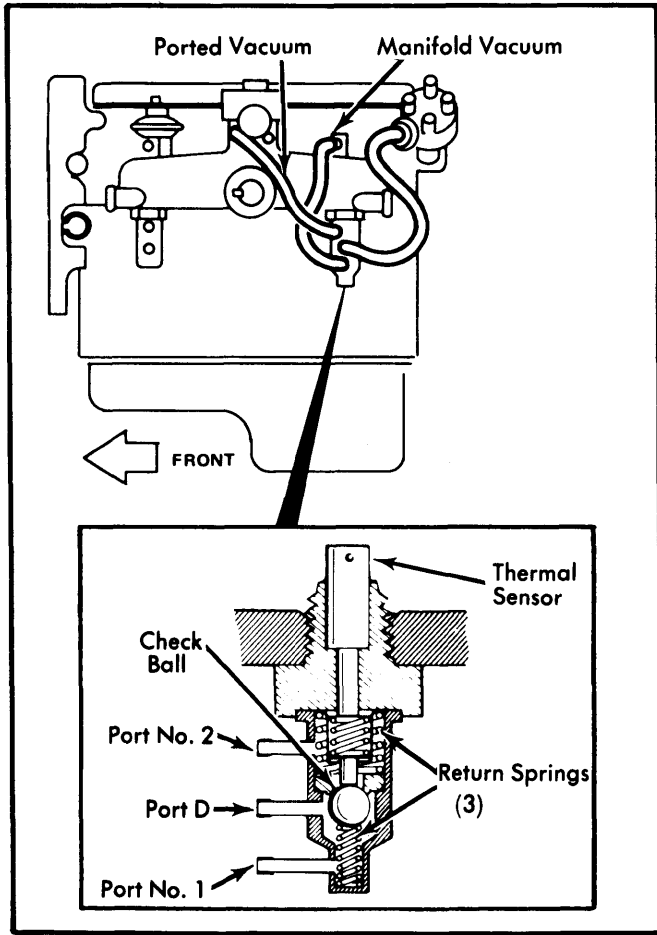


Fig. 4 CTO System for 4 Cylinder Engines

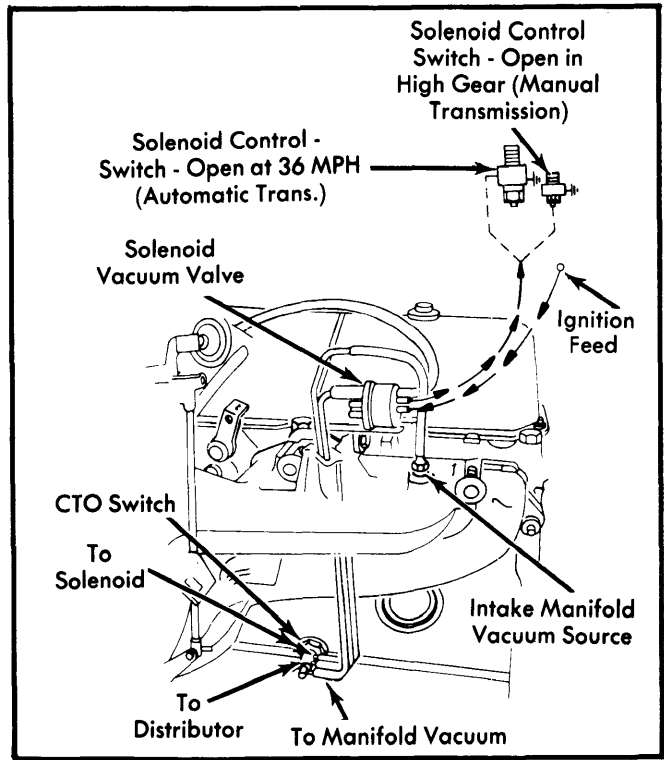


Fig. 5 TCS System for 6 Cylinder Engines

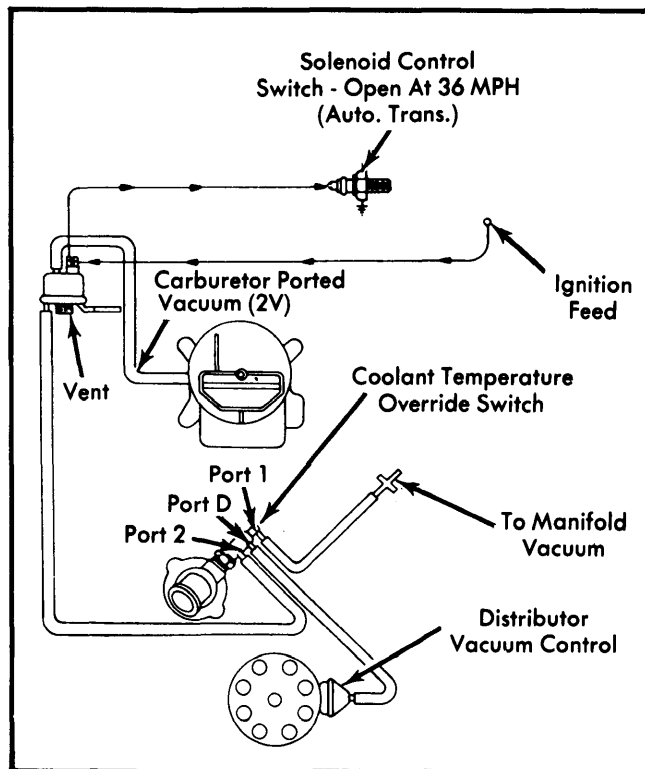


Fig. 6 TCS System for V8 Engines

1978 EXHAUST EMISSION SYSTEMS American Motors Vacuum Diagrams (Cont.)

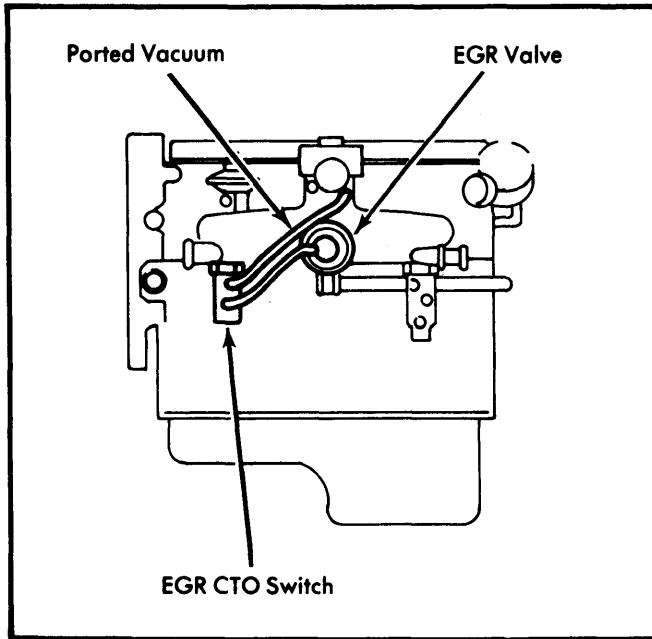


Fig. 7 EGR System for 4 Cylinder Engines

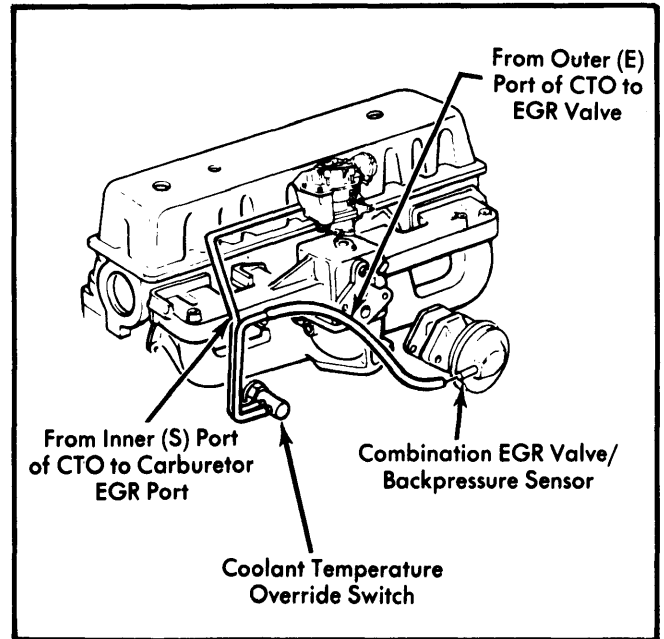


Fig. 8 EGR System for 6 Cylinder Engines

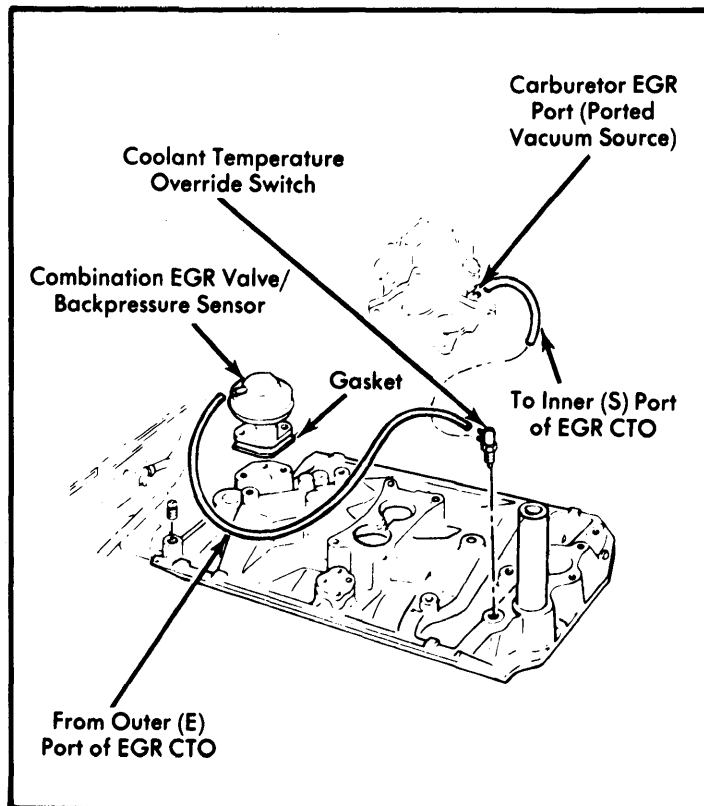


Fig. 9 EGR System for V8 Engines