

1977 EXHAUST EMISSION SYSTEMS American Motors Vacuum Diagrams

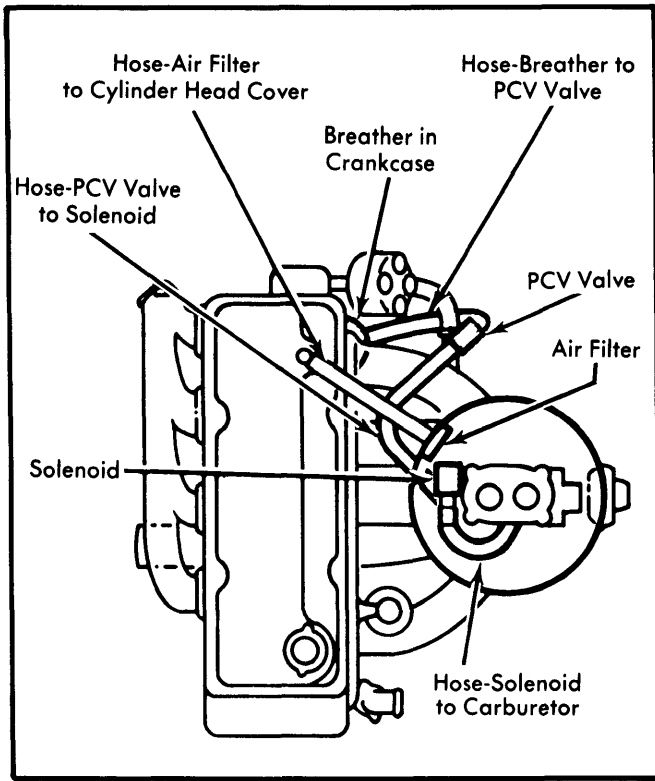


Fig. 1 PCV System 4 Cyl.

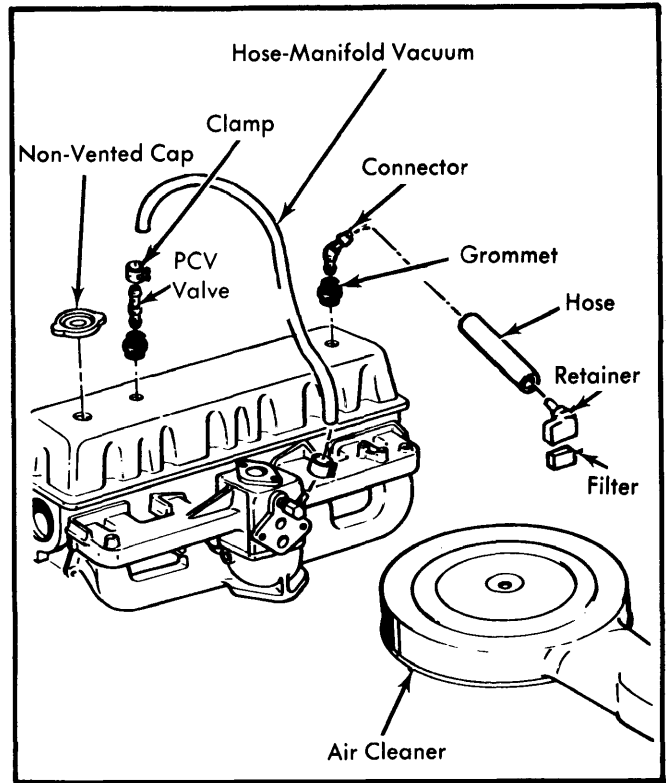


Fig. 2 PCV System 6 Cyl.

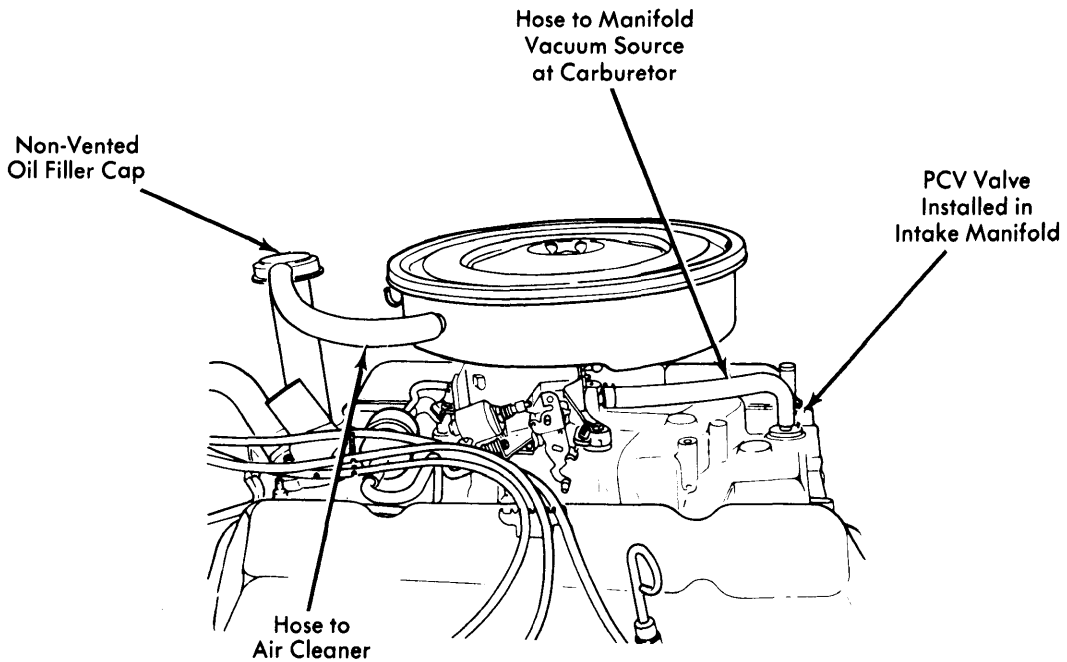


Fig. 3 PCV System V8

1977 EXHAUST EMISSION SYSTEMS American Motors Vacuum Diagrams (Cont.)

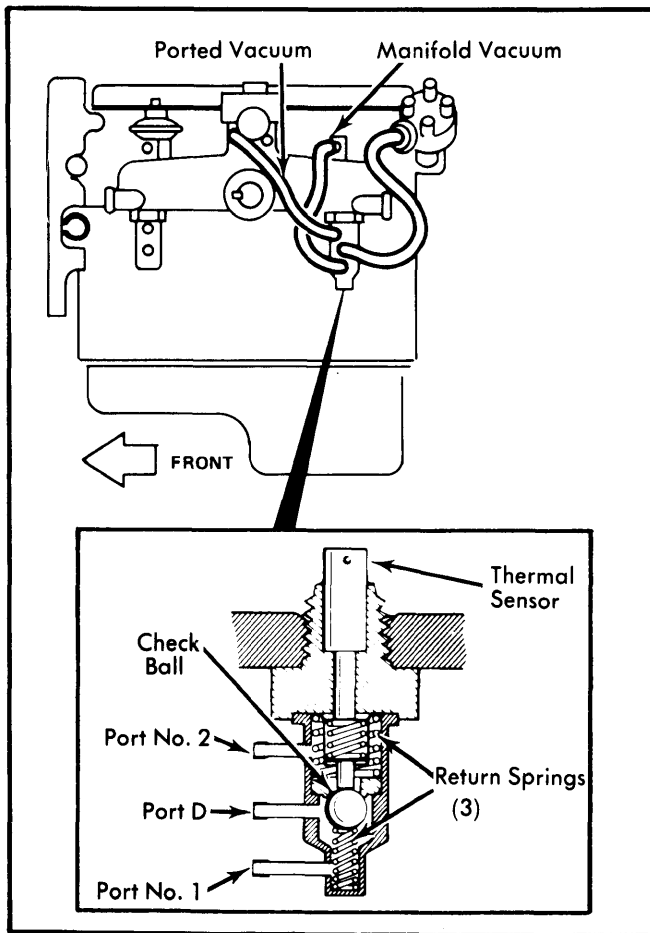


Fig. 4 CTO System 4-Cyl.

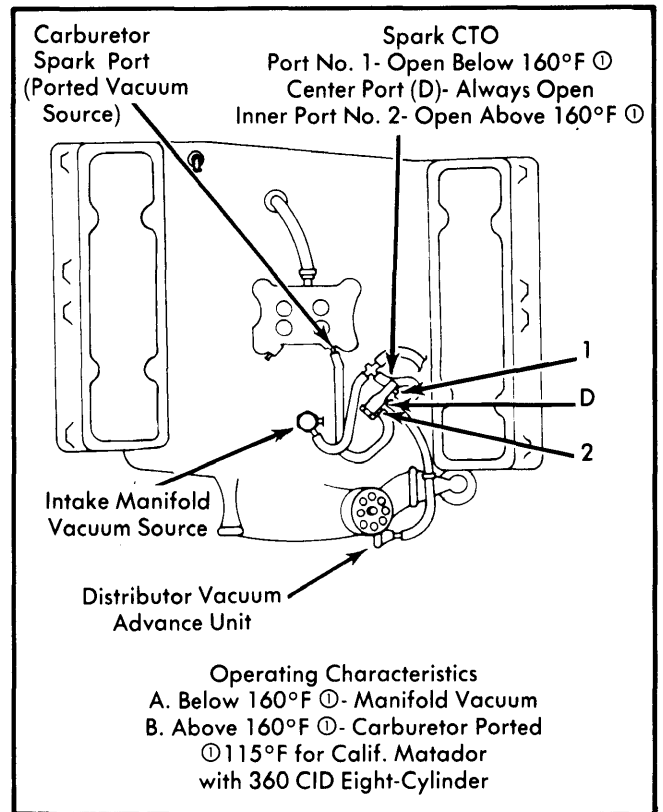


Fig. 6 Spark CTO System V8 (Federal)

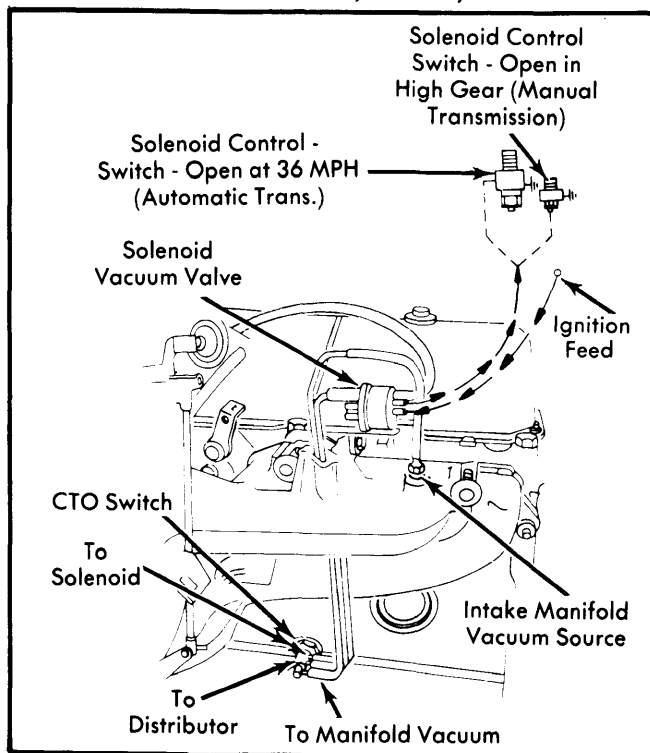


Fig. 5 TCS System 6-Cyl.

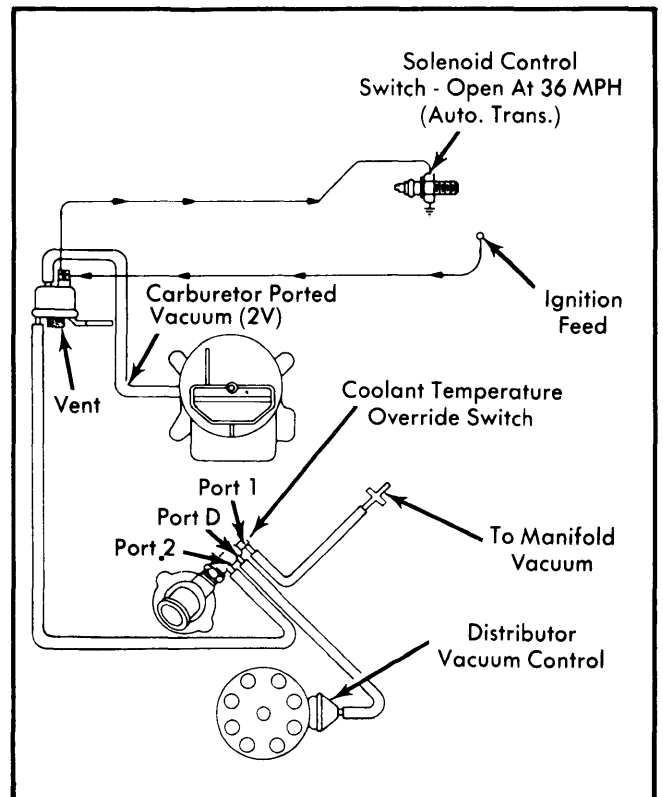


Fig. 7 TCS System V8

1977 EXHAUST EMISSION SYSTEMS American Motors Vacuum Diagrams (Cont.)

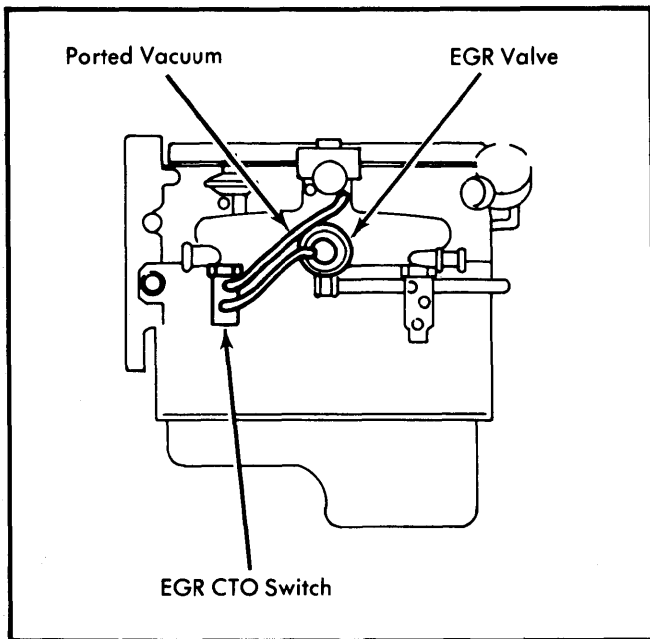


Fig. 8 EGR System 4-Cyl.

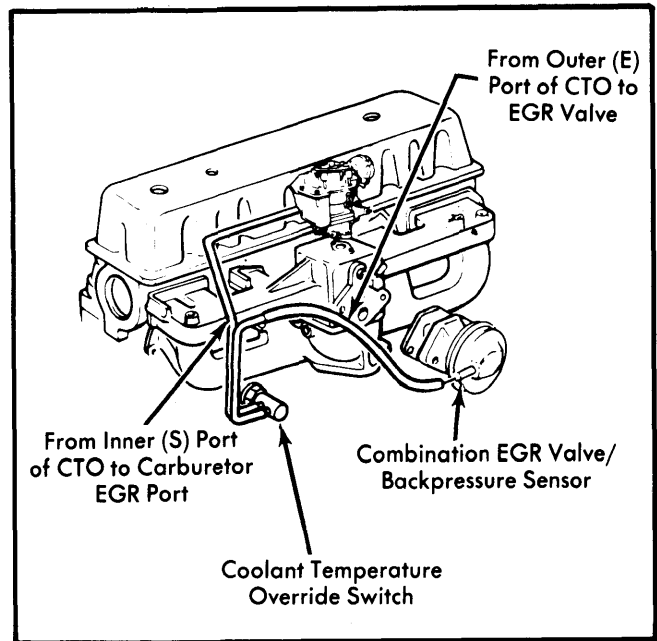


Fig. 9 EGR System 6-Cyl.

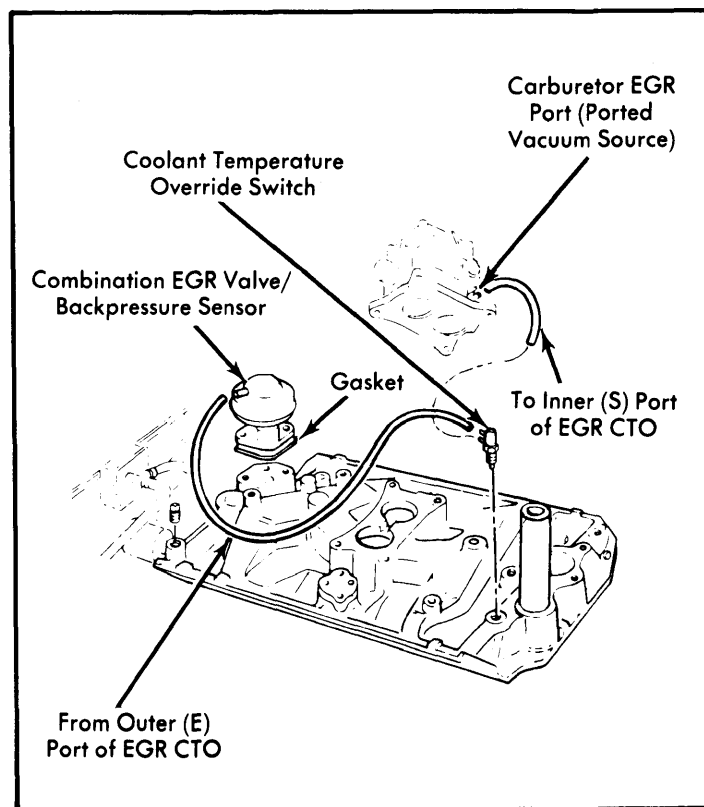


Fig. 10 EGR System V8