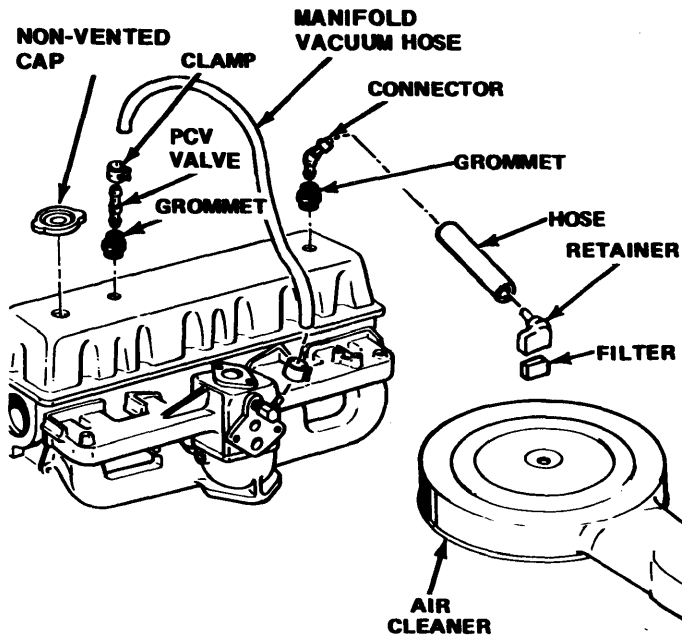
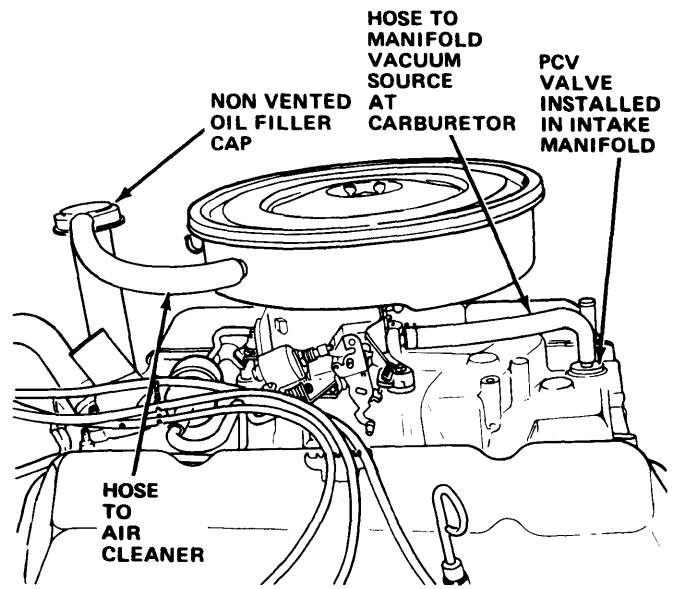


# 1975 EXHAUST EMISSION SYSTEMS

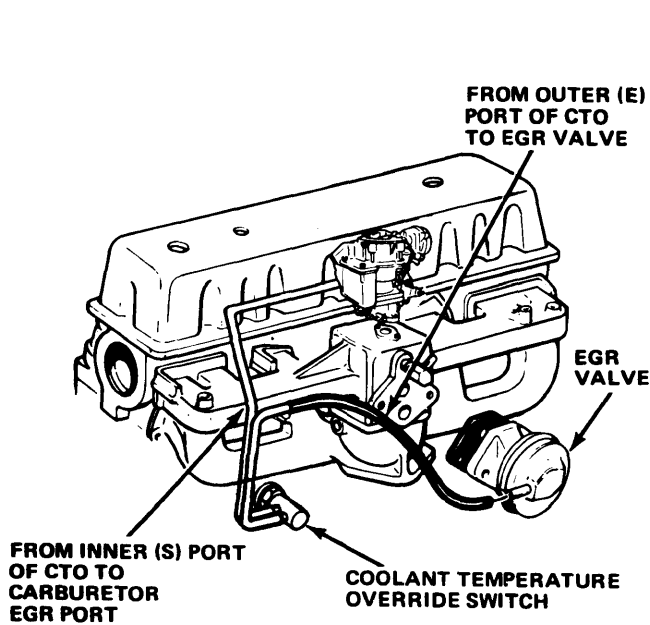
## American Motors Vacuum Diagrams



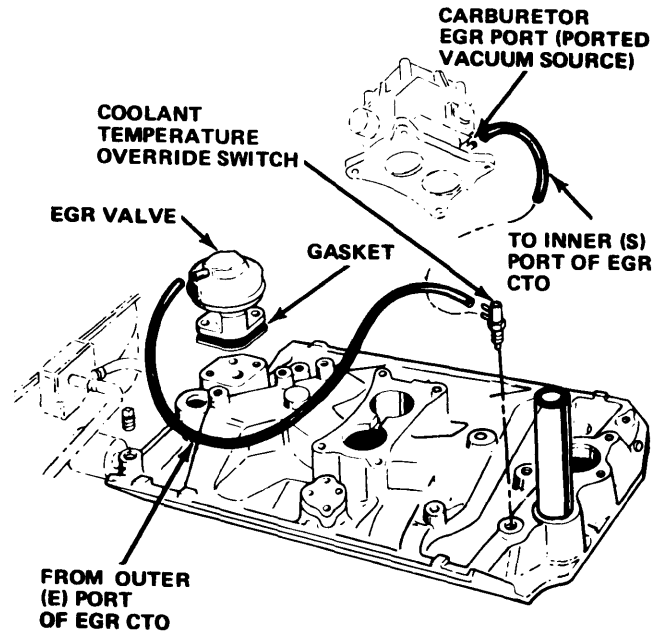
PCV SYSTEM (6-CYL.)



PCV SYSTEM (V8)

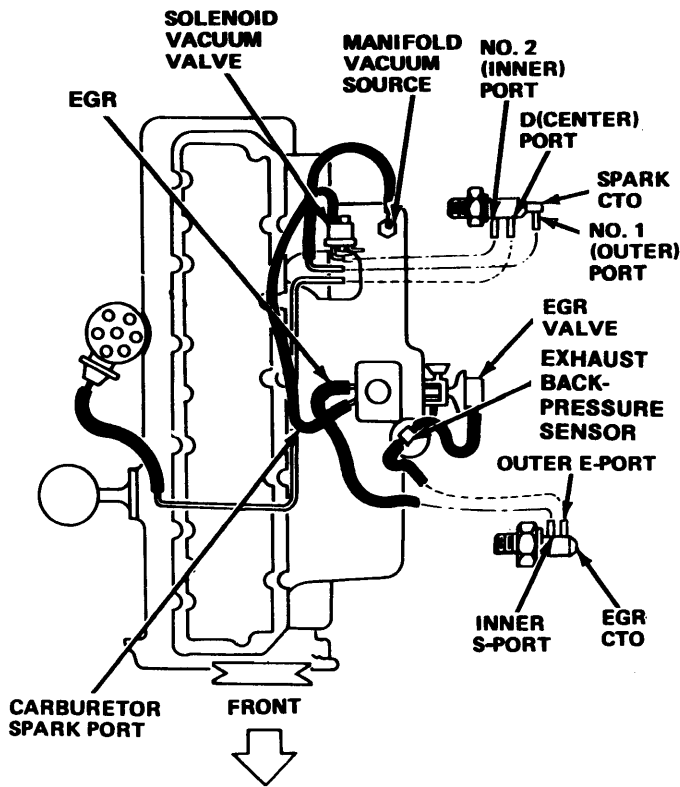


EGR SYSTEM (6-CYL. FEDERAL)

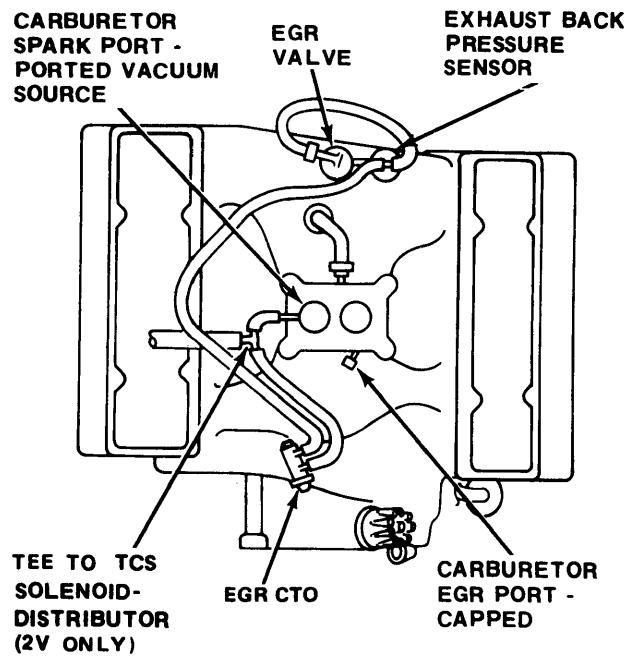


EGR SYSTEM (V8 FEDERAL)

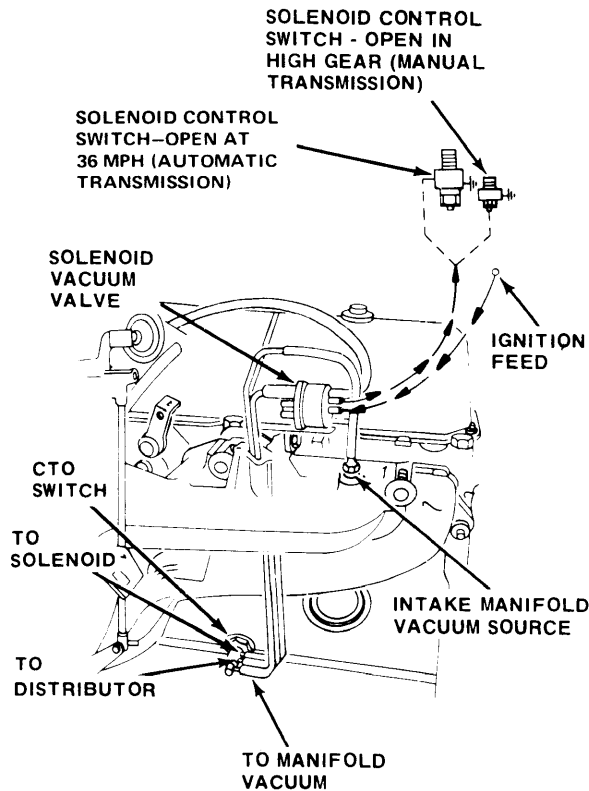
# 1975 EXHAUST EMISSION SYSTEMS American Motors Vacuum Diagrams (Cont.)



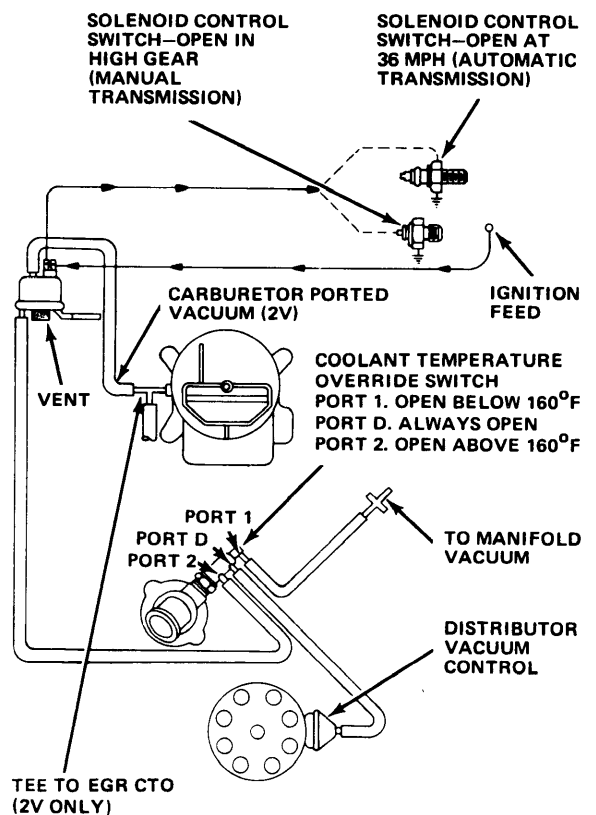
EGR SYSTEM (6-CYL. CALIFORNIA)



EGR SYSTEM (V8 CALIFORNIA)



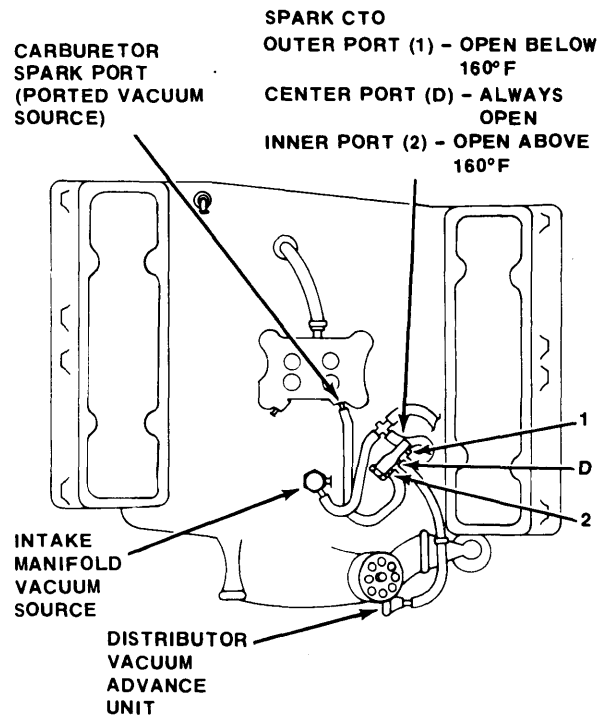
TCS SYSTEM (6-CYL.)



TCS SYSTEM (V8)

# 1975 EXHAUST EMISSION SYSTEMS American Motors Vacuum Diagrams (Cont.)

3-67



---

OPERATING CHARACTERISTICS  
A. BELOW 160°F - MANIFOLD VACUUM  
B. ABOVE 160°F - CARBURETOR PORTED

---

SPARK CTO SYSTEM (V8 FEDERAL)