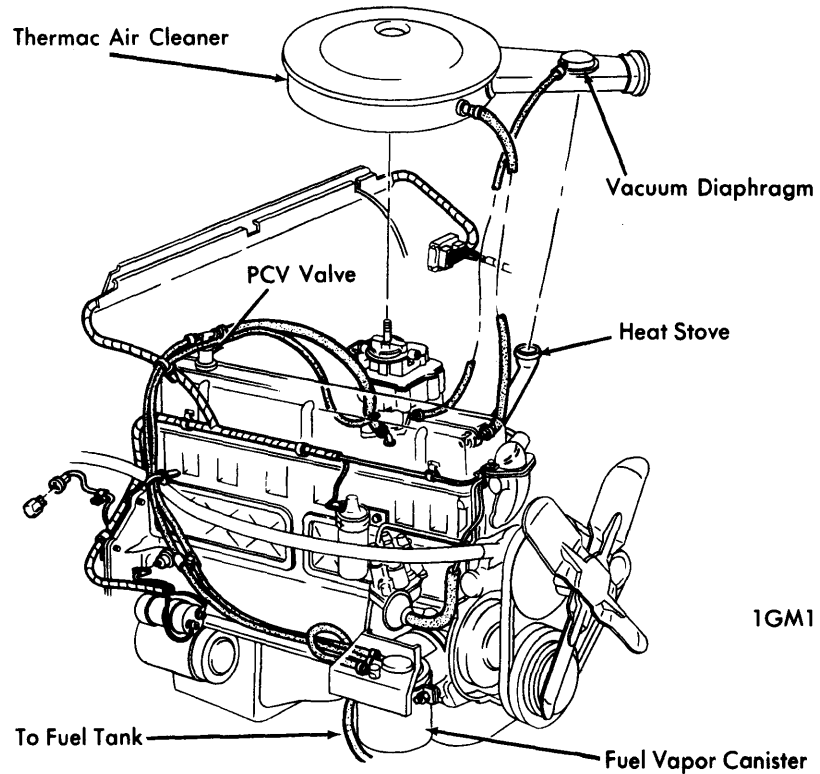
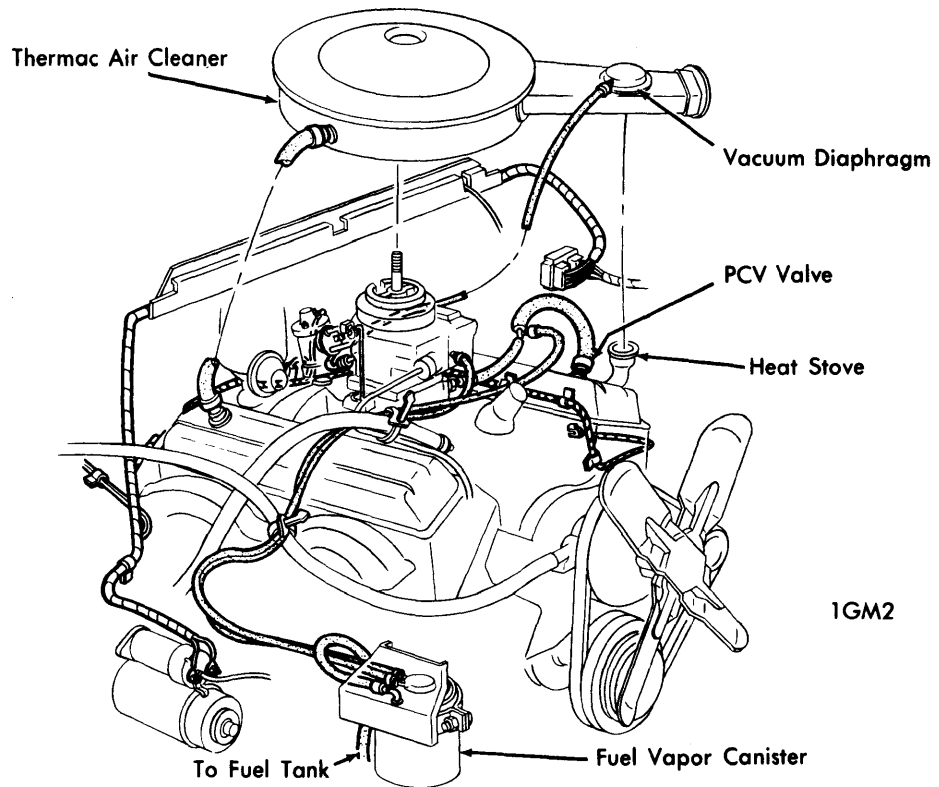


## GENERAL MOTORS VACUUM DIAGRAMS



1GM1

**1971 COMBINATION EMISSION CONTROL SYSTEM ROUTING (6-Cylinder)**



1GM2

**1971 COMBINATION EMISSION CONTROL SYSTEM ROUTING (V8)**