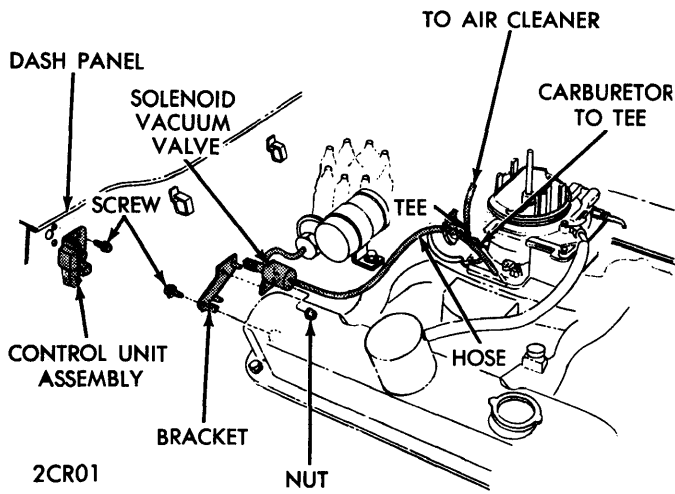
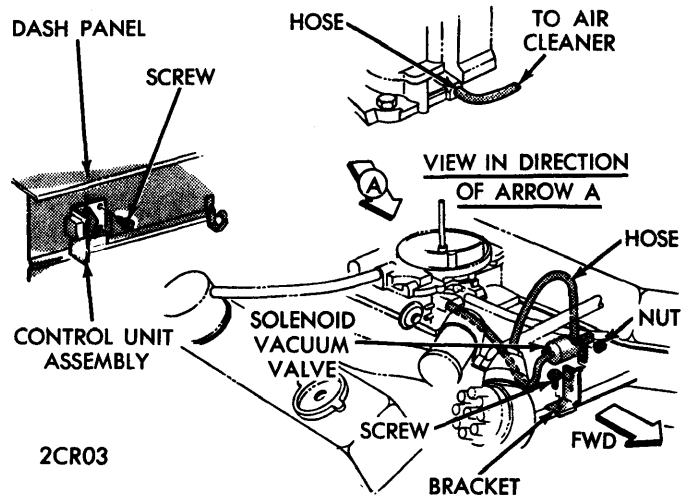


Exhaust Emission Systems

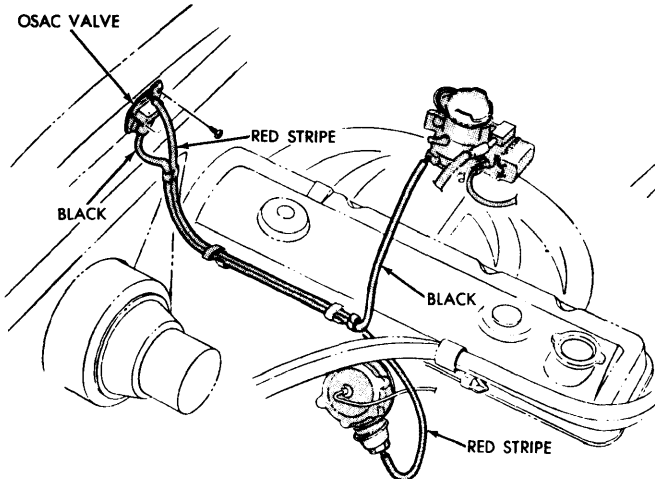
CHRYSLER CORP. VACUUM DIAGRAMS



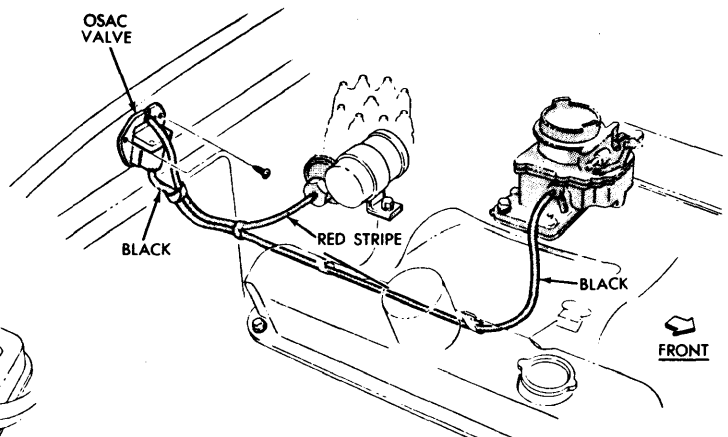
**NO_x SOLENOID VACUUM VALVE
(1972 8 CYL. ENGINE)**



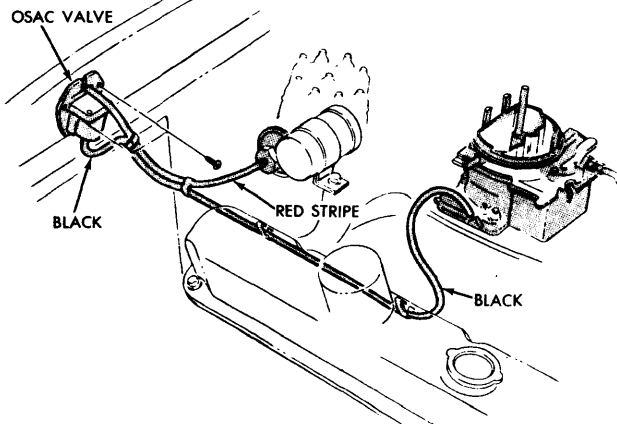
**NO_x SOLENOID VACUUM VALVE
(1972 8 CYL. ENGINE
WITH FRONT MOUNTED DISTRIBUTOR)**



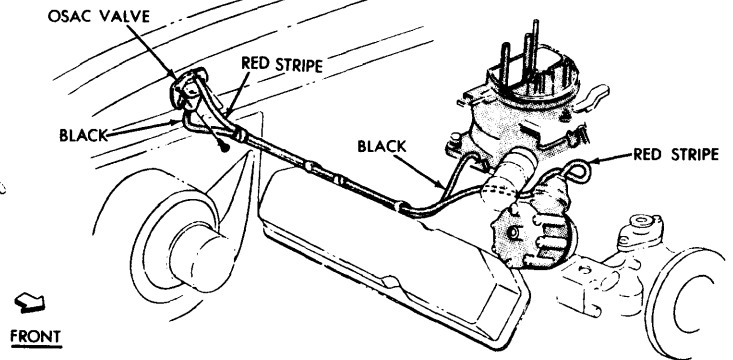
D100 AND W100 WITH 225 CID ENGINE



D100 AND W100 WITH 318 CID ENGINE



D100 AND W100 WITH 360 CID ENGINE



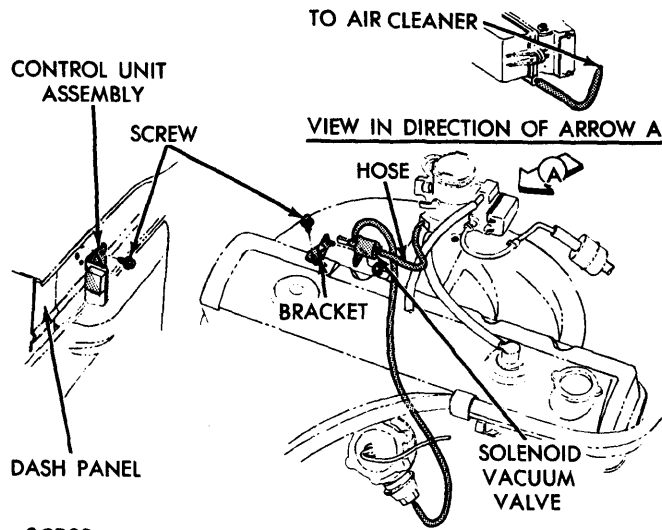
D100 WITH 400 CID ENGINE

3CR04

OSAC SYSTEM (1973, EXC. D100 MODEL WITH 440"-1 ENGINE)

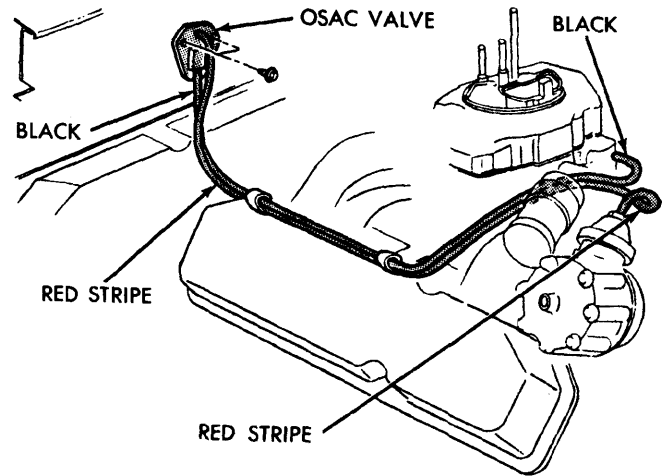
Exhaust Emission Systems

CHRYSLER CORP. VACUUM DIAGRAMS (Cont.)



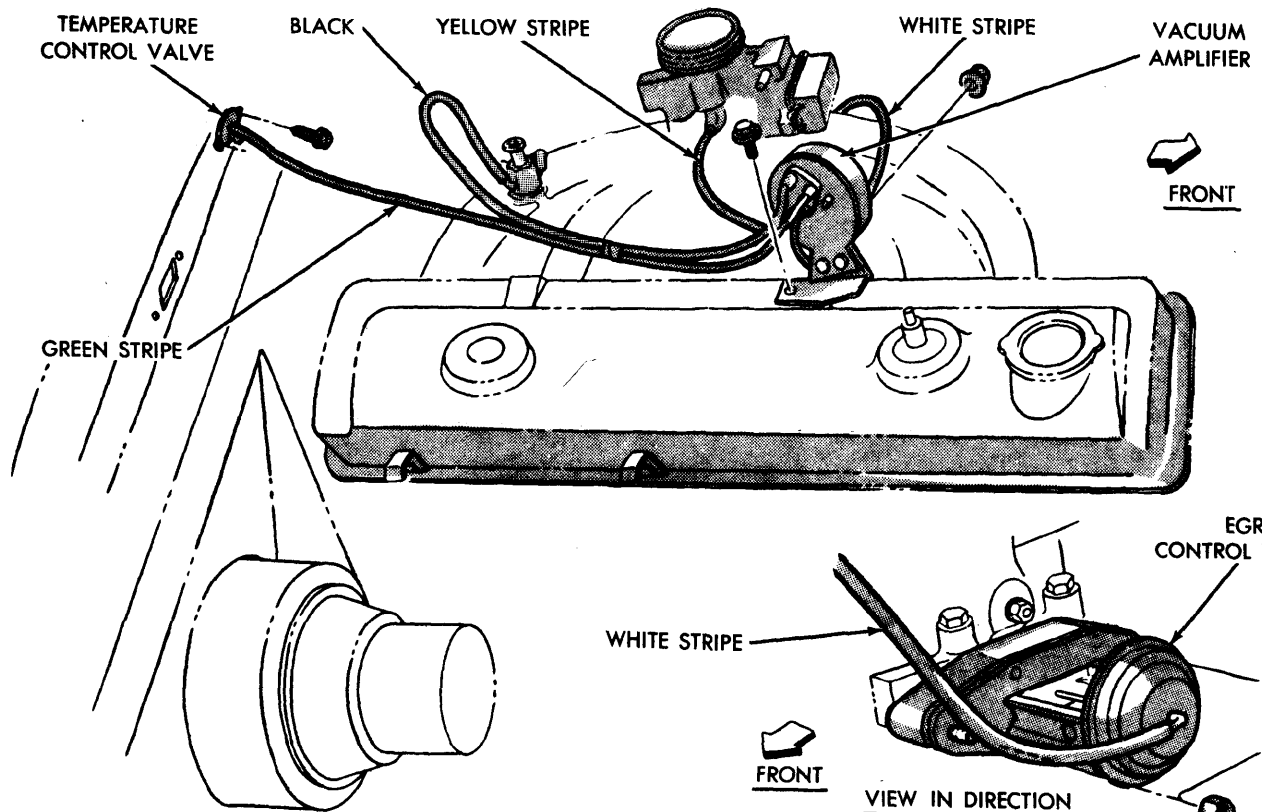
2CR02

**NOx SOLENOID VACUUM VALVE
(1972 6 CYL. ENGINE)**



3CR05

**OSAC SYSTEM
(1973 D100 MODEL WITH 440"-1 ENGINE)**

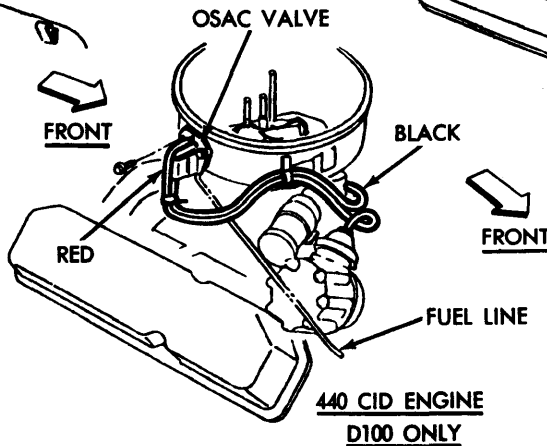
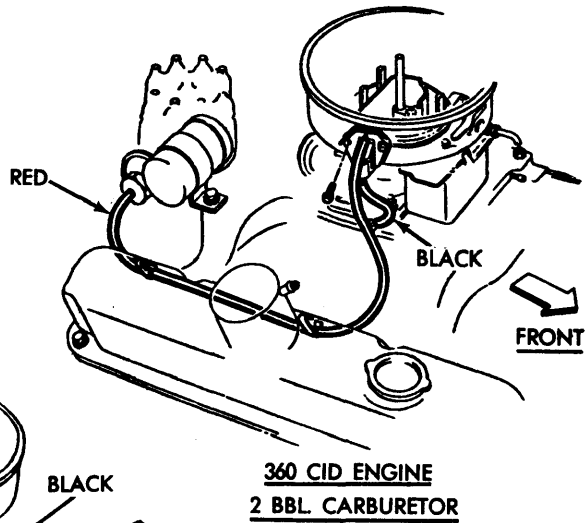
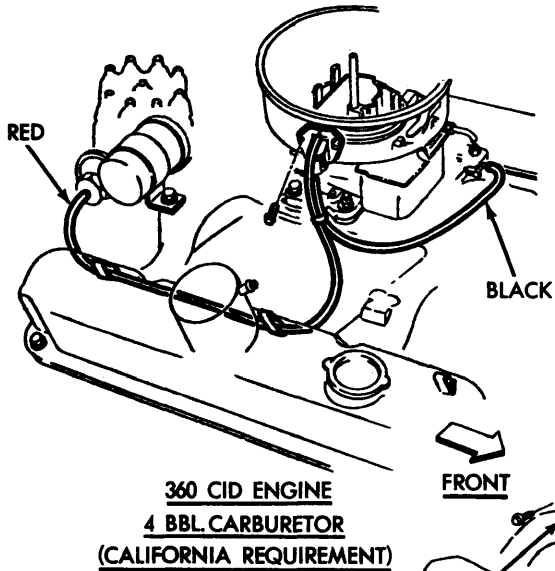
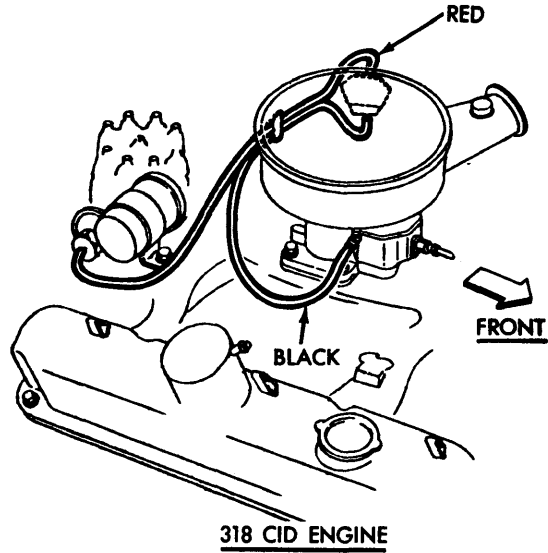
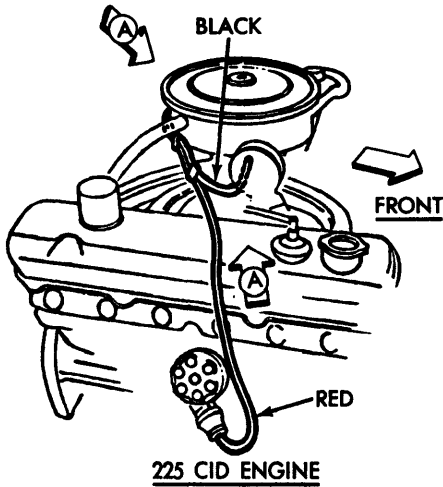
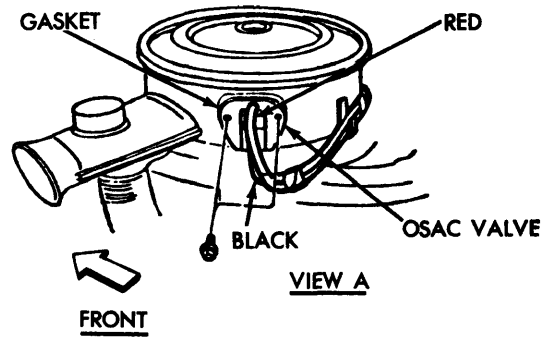
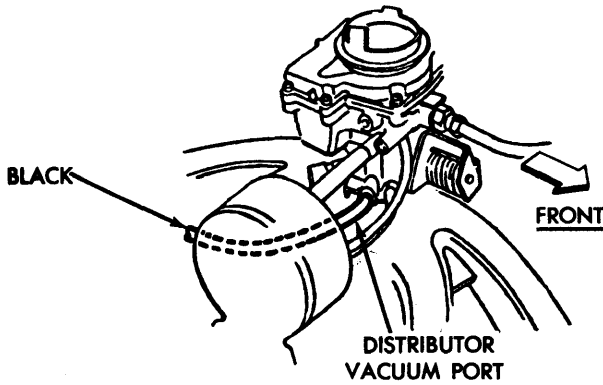


3CR07

**EGR VENTURI SYSTEM
(1973 D100 & W100 MODELS WITH 225" ENGINE)**

Exhaust Emission Systems

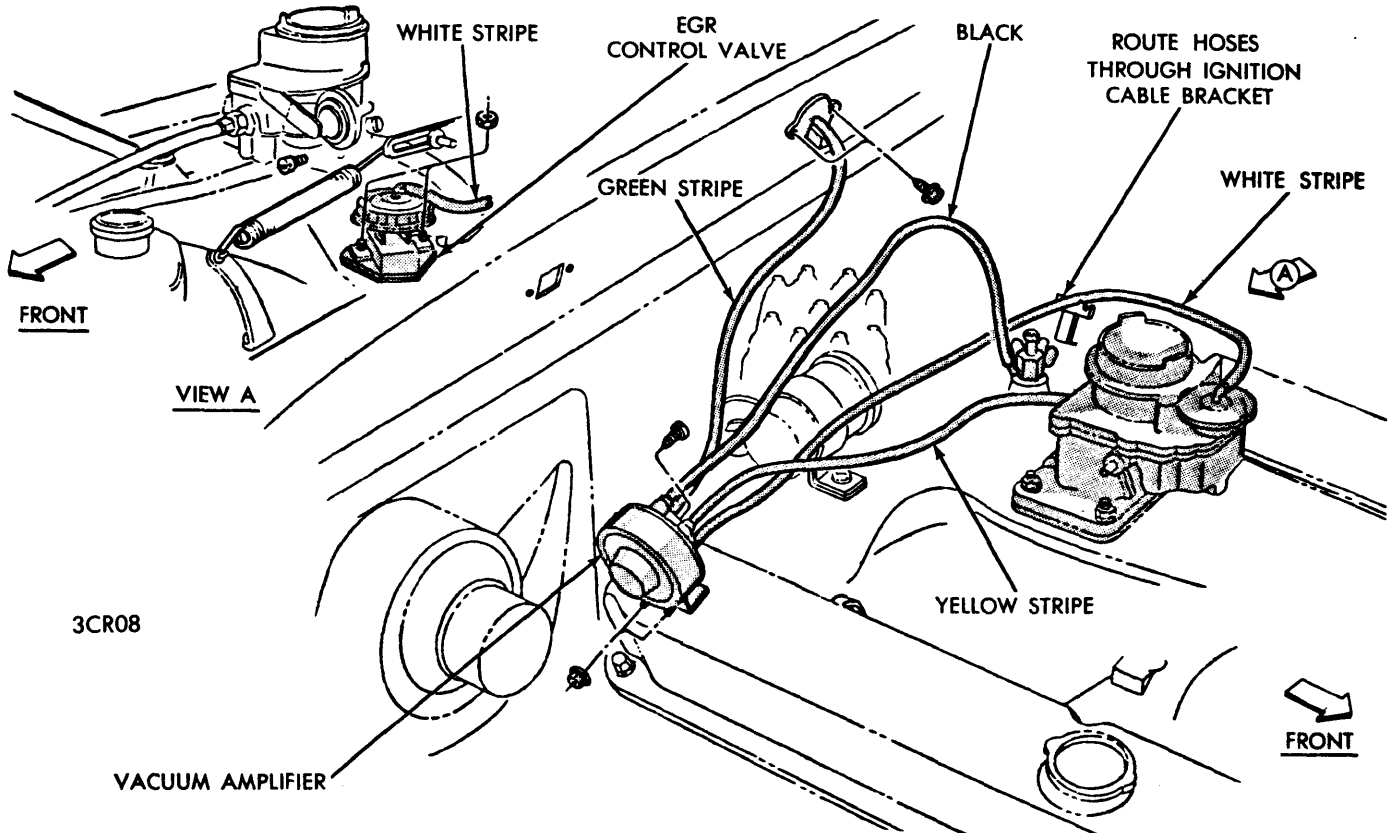
CHRYSLER CORP. VACUUM DIAGRAMS(Cont.)



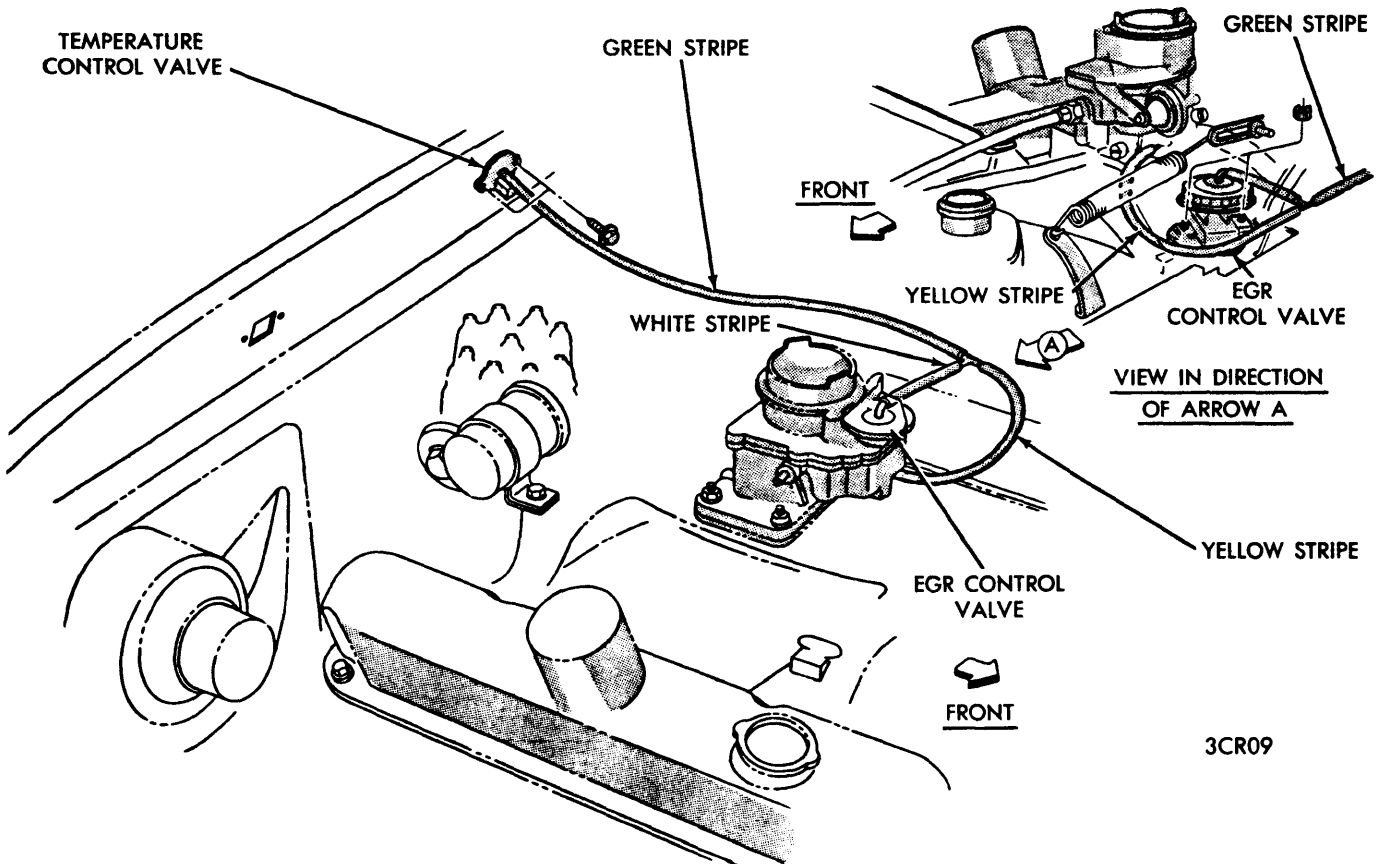
4CR06

OSAC SYSTEM (1974 D100 & W100 MODELS)

CHRYSLER CORP. VACUUM DIAGRAMS (Cont.)



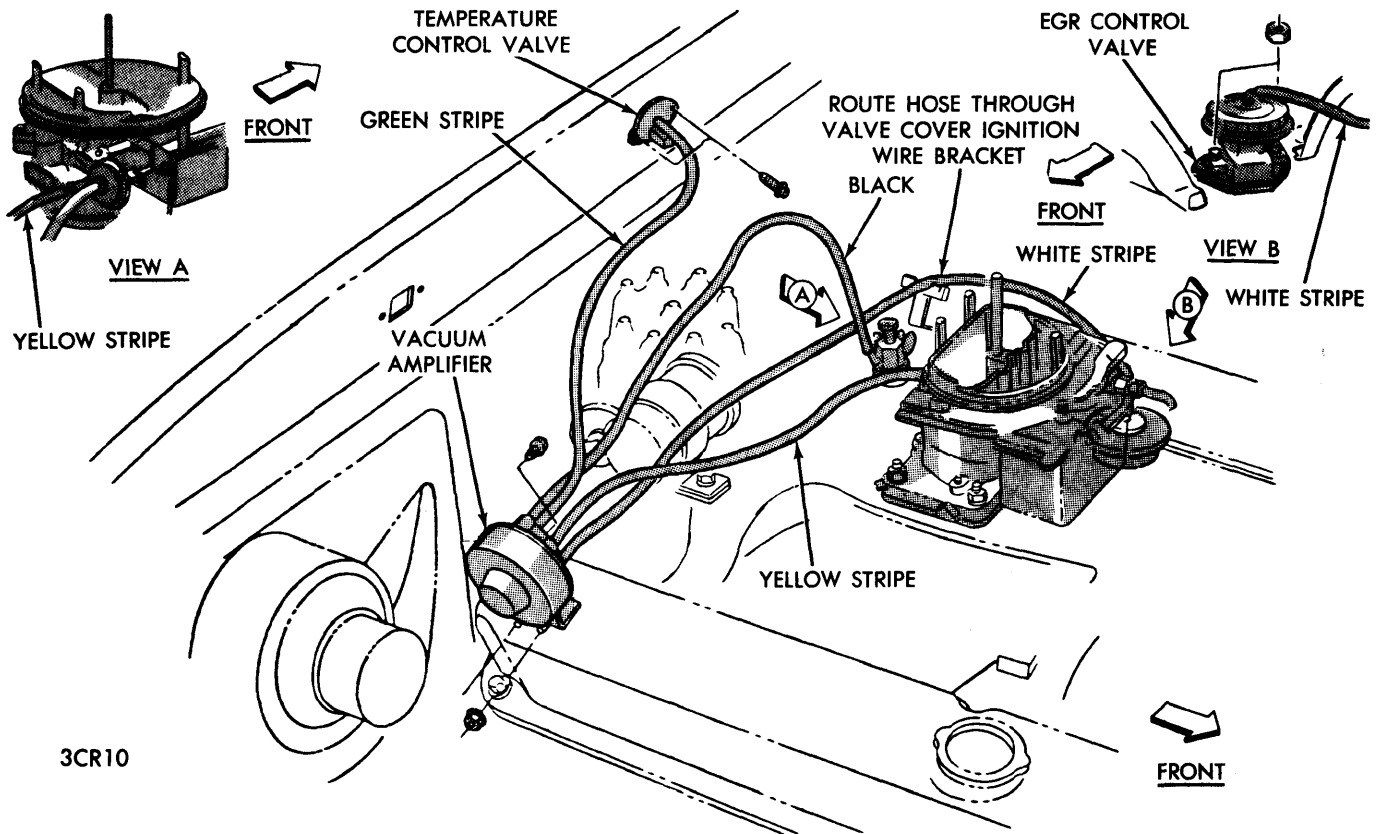
EGR VENTURI SYSTEM (1973 D100 & W100 MODELS WITH 318" ENGINE CALIF. & AUTOMATIC TRANSMISSION)



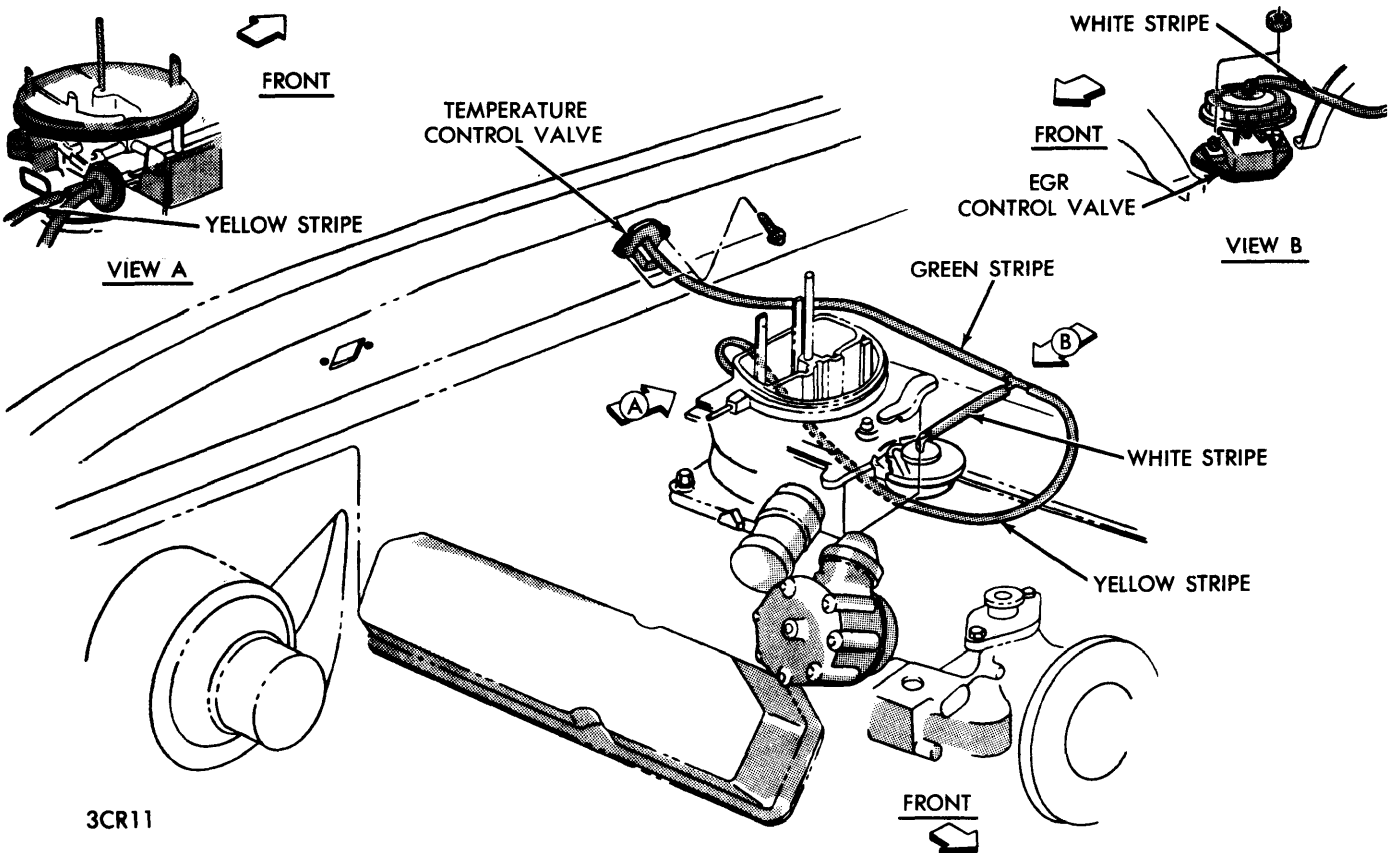
EGR PORTED SYSTEM (1973 D100 & W100 MODELS WITH 318" ENGINE)

Exhaust Emission Systems

CHRYSLER CORP. VACUUM DIAGRAMS (Cont.)



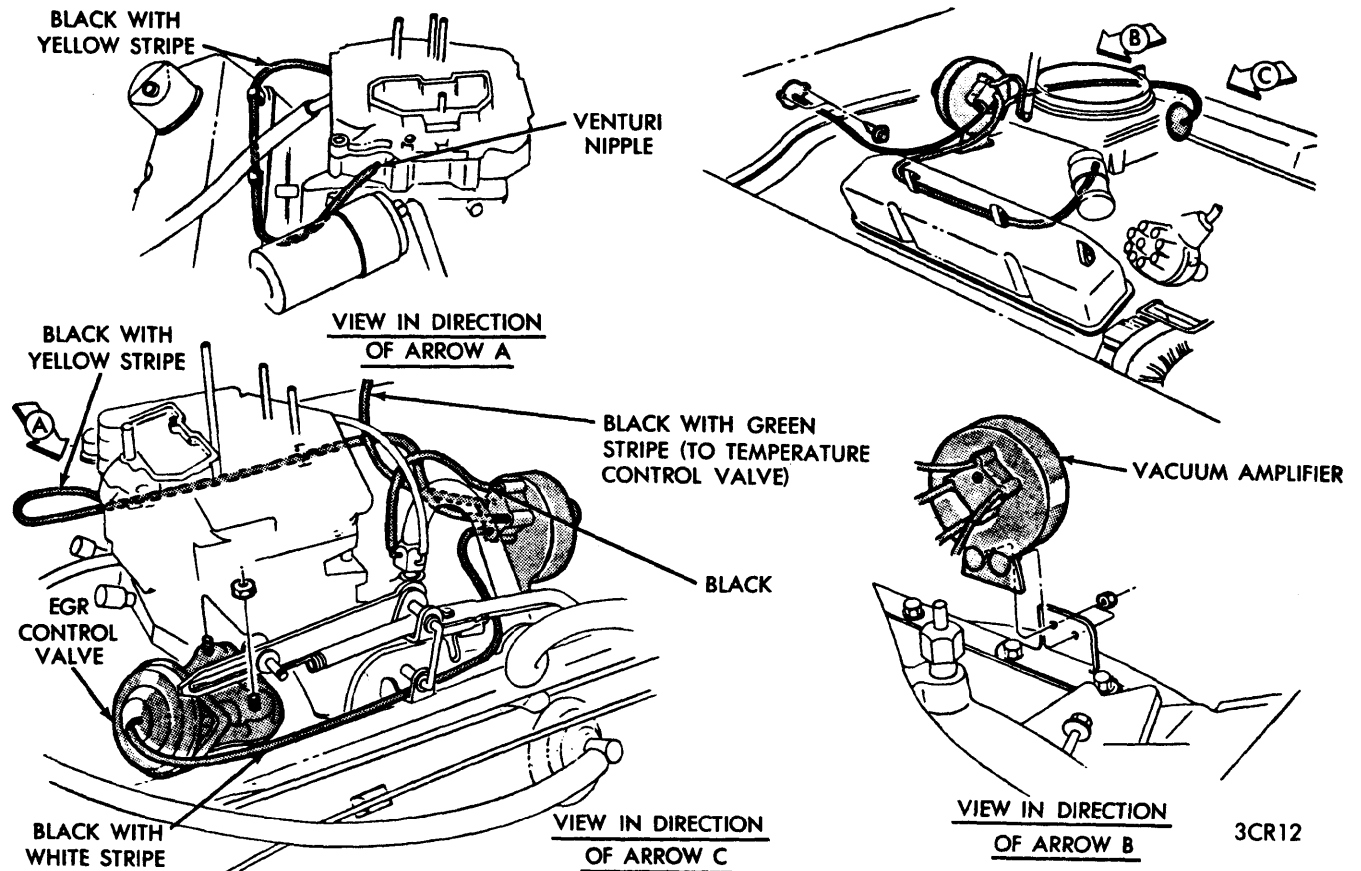
EGR PORTED SYSTEM (1973 D100 & W100 MODELS WITH 360" ENGINE)



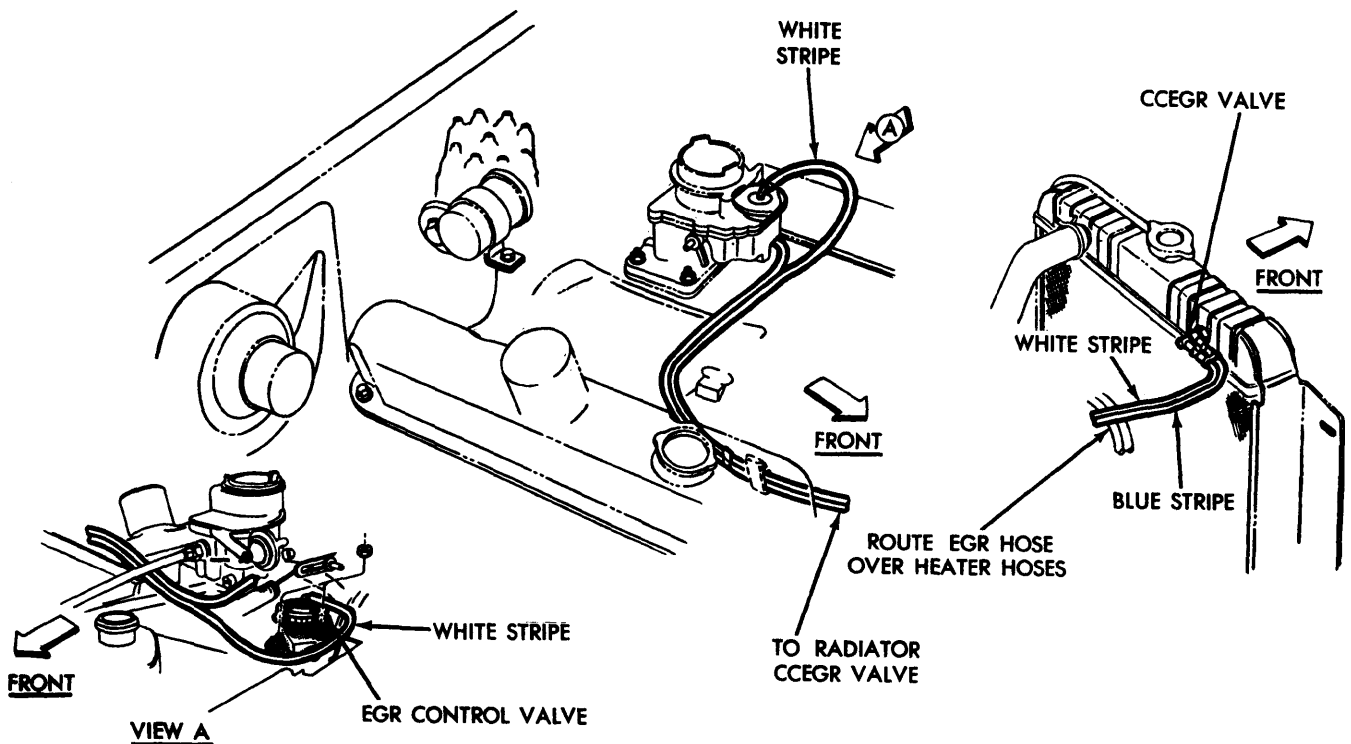
EGR PORTED SYSTEM (1973 D100 MODELS WITH 400" ENGINE)

Exhaust Emission Systems

CHRYSLER CORP. VACUUM DIAGRAMS (Cont.)



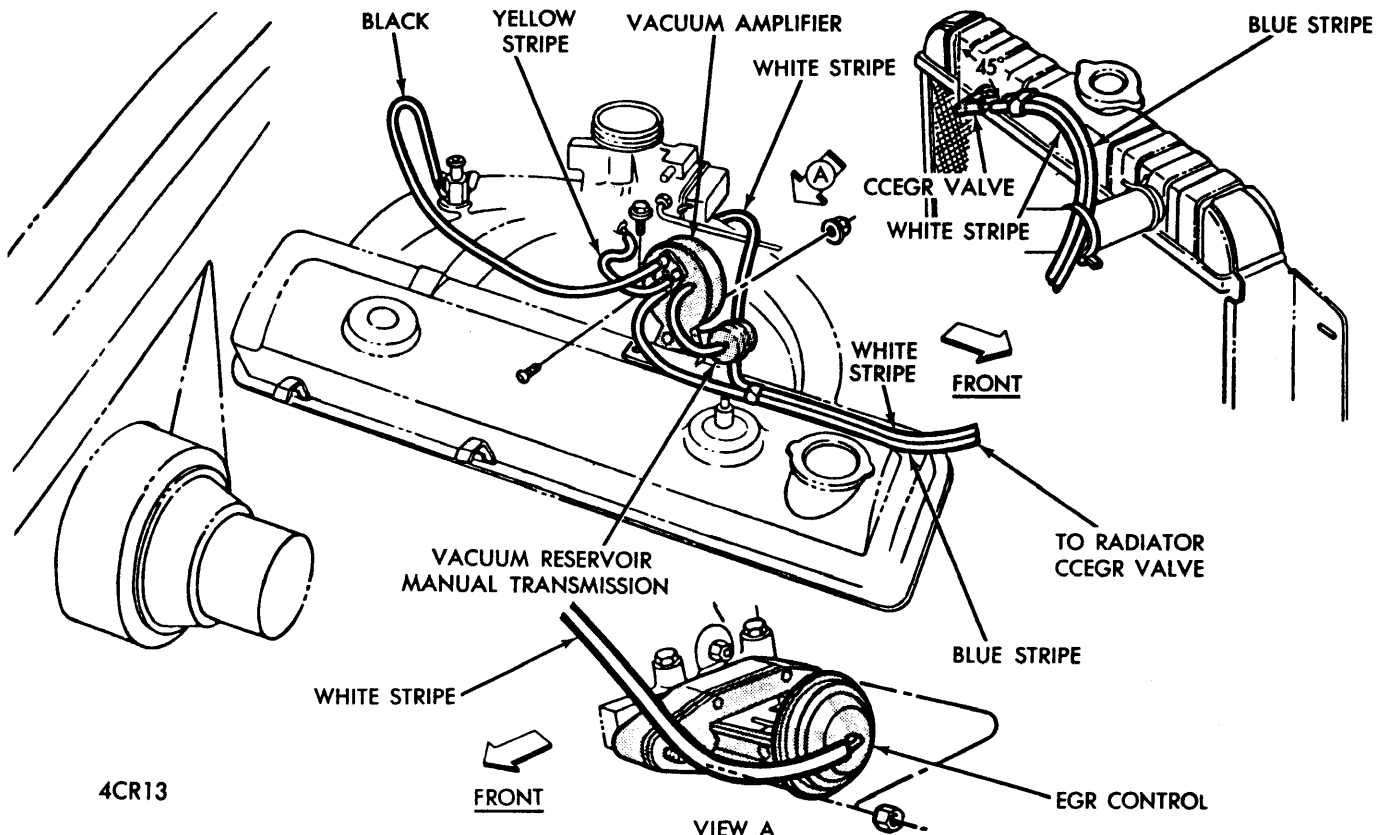
EGR VENTURI SYSTEM (1973 D100 MODELS WITH 440-1 ENGINE)



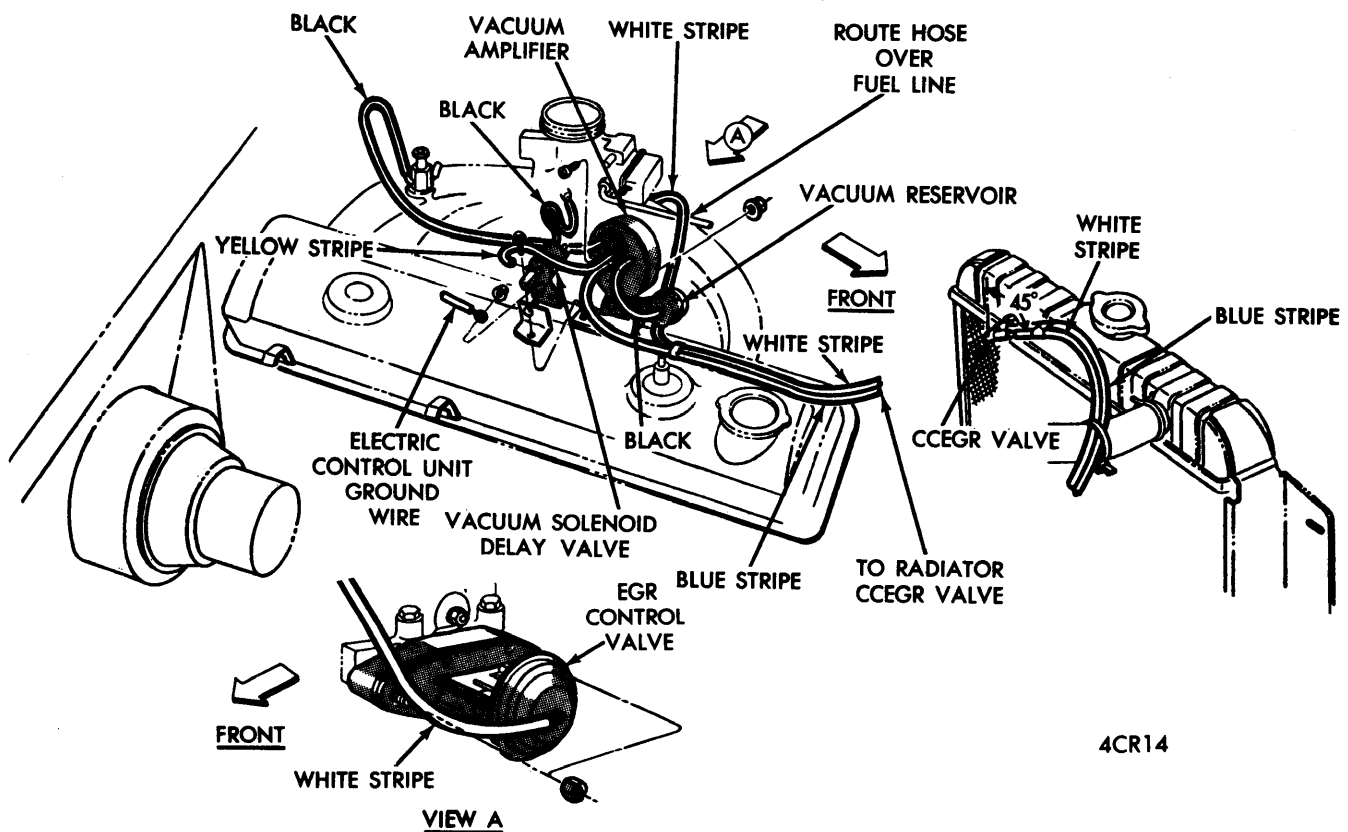
EGR PORTED SYSTEM (1974 D100 & W100 MODELS WITH 318" ENGINE FEDERAL)

Exhaust Emission Systems

CHRYSLER CORP. VACUUM DIAGRAMS (Cont.)



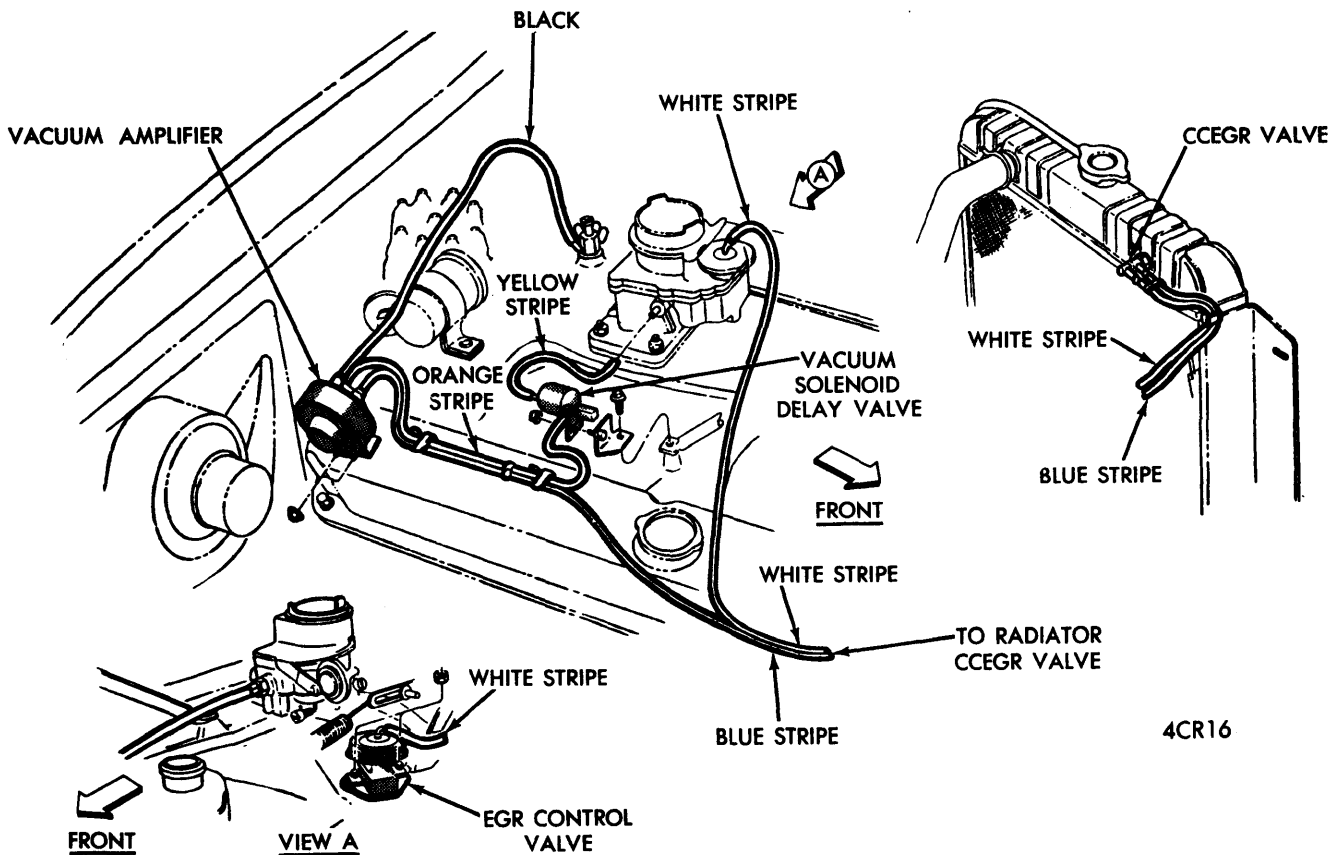
EGR VENTURI SYSTEM (1974 D100 & W100 MODELS WITH 225" ENGINE FEDERAL)



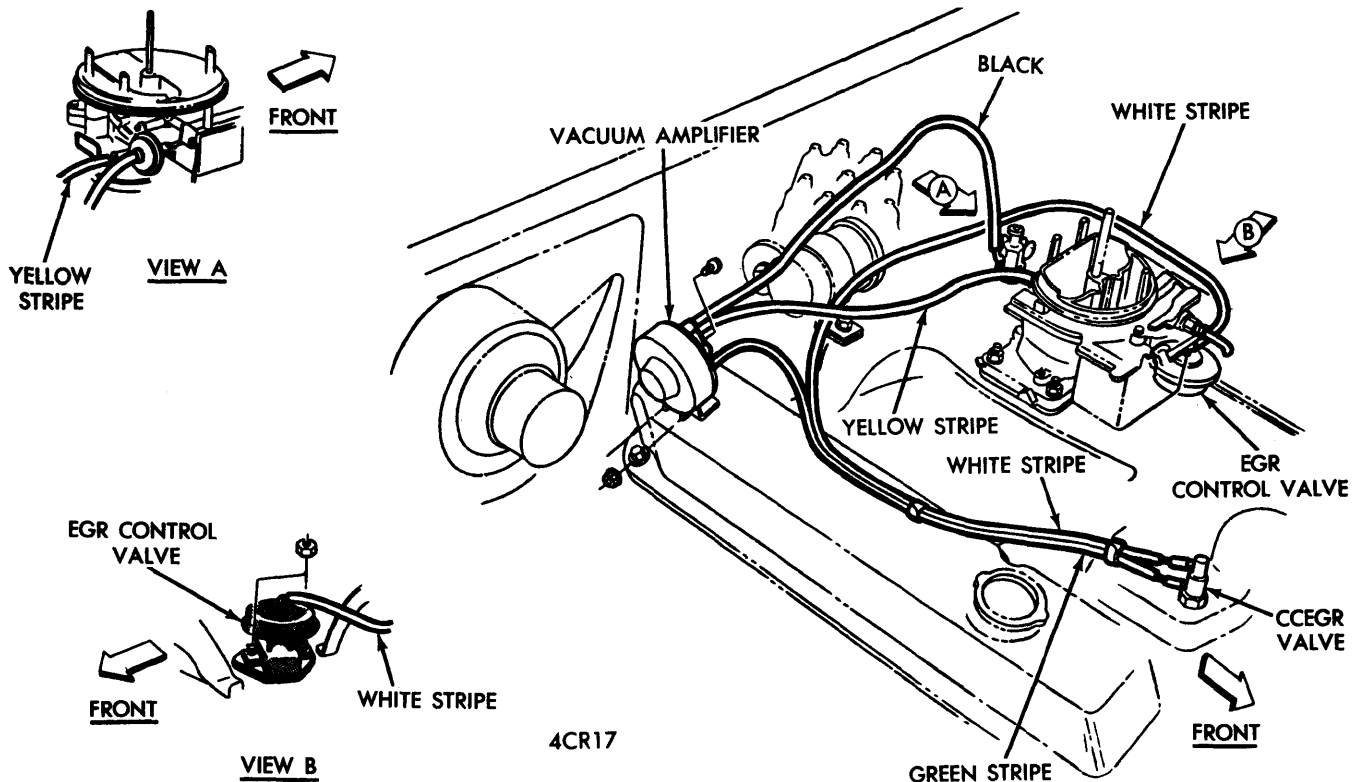
EGR VENTURI SYSTEM (1974 D100 & W100 MODELS WITH 225" ENGINE CALIF.)

Exhaust Emission Systems

CHRYSLER CORP. VACUUM DIAGRAMS (Cont.)



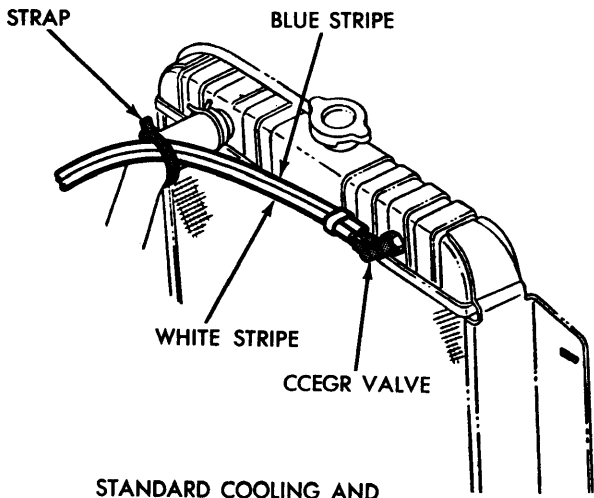
EGR VENTURI SYSTEM (1974 D100 & W100 MODELS WITH 318" ENGINE CALIF.)



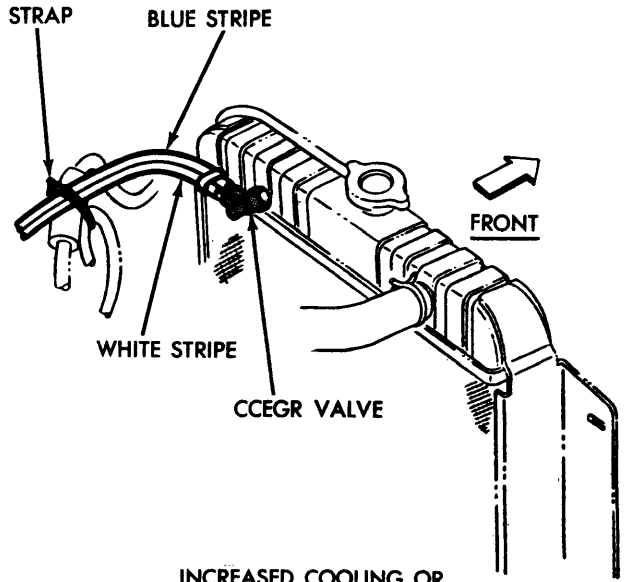
EGR VENTURI SYSTEM (1974 D100 & W100 MODELS WITH 360" ENGINE FEDERAL)

Exhaust Emission Systems

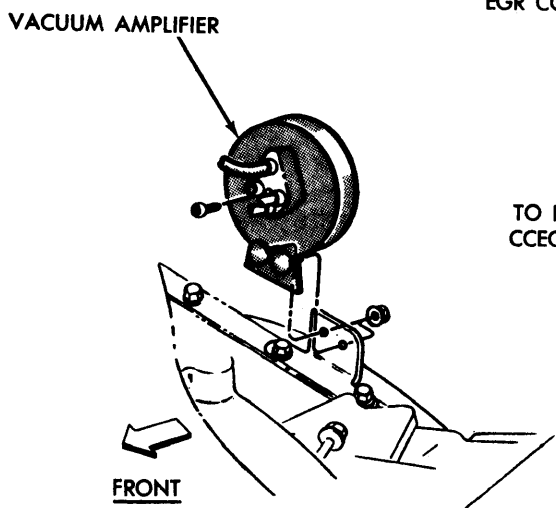
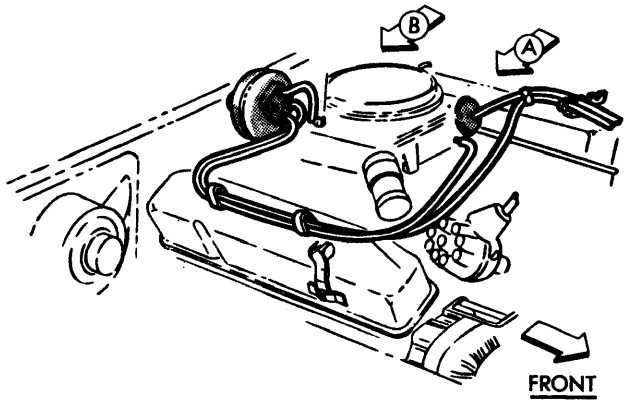
CHRYSLER CORP. VACUUM DIAGRAMS (Cont.)



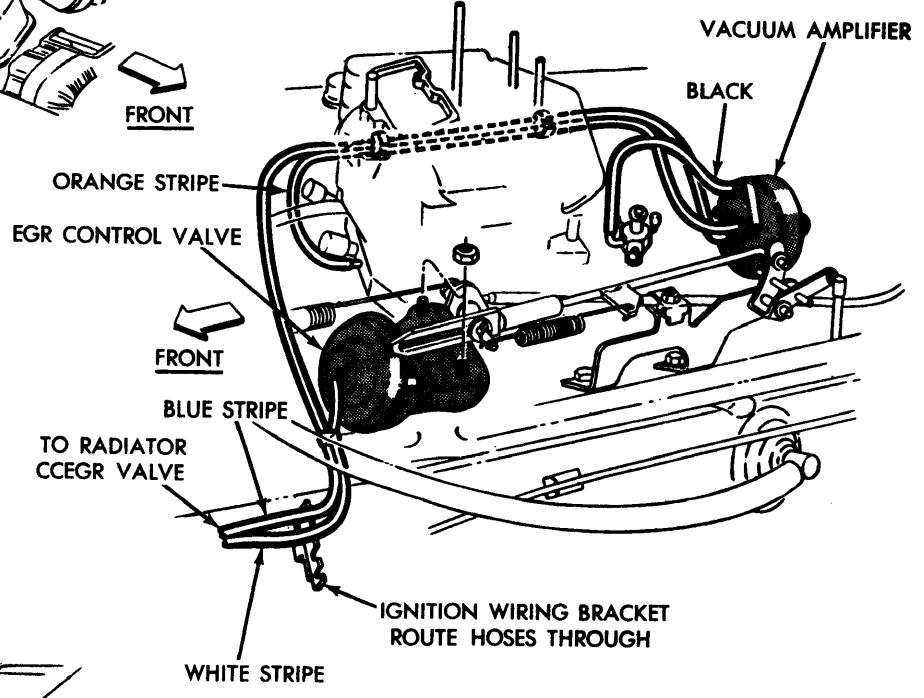
STANDARD COOLING AND WITHOUT AIR CONDITIONING



INCREASED COOLING OR AIR CONDITIONING



VIEW B



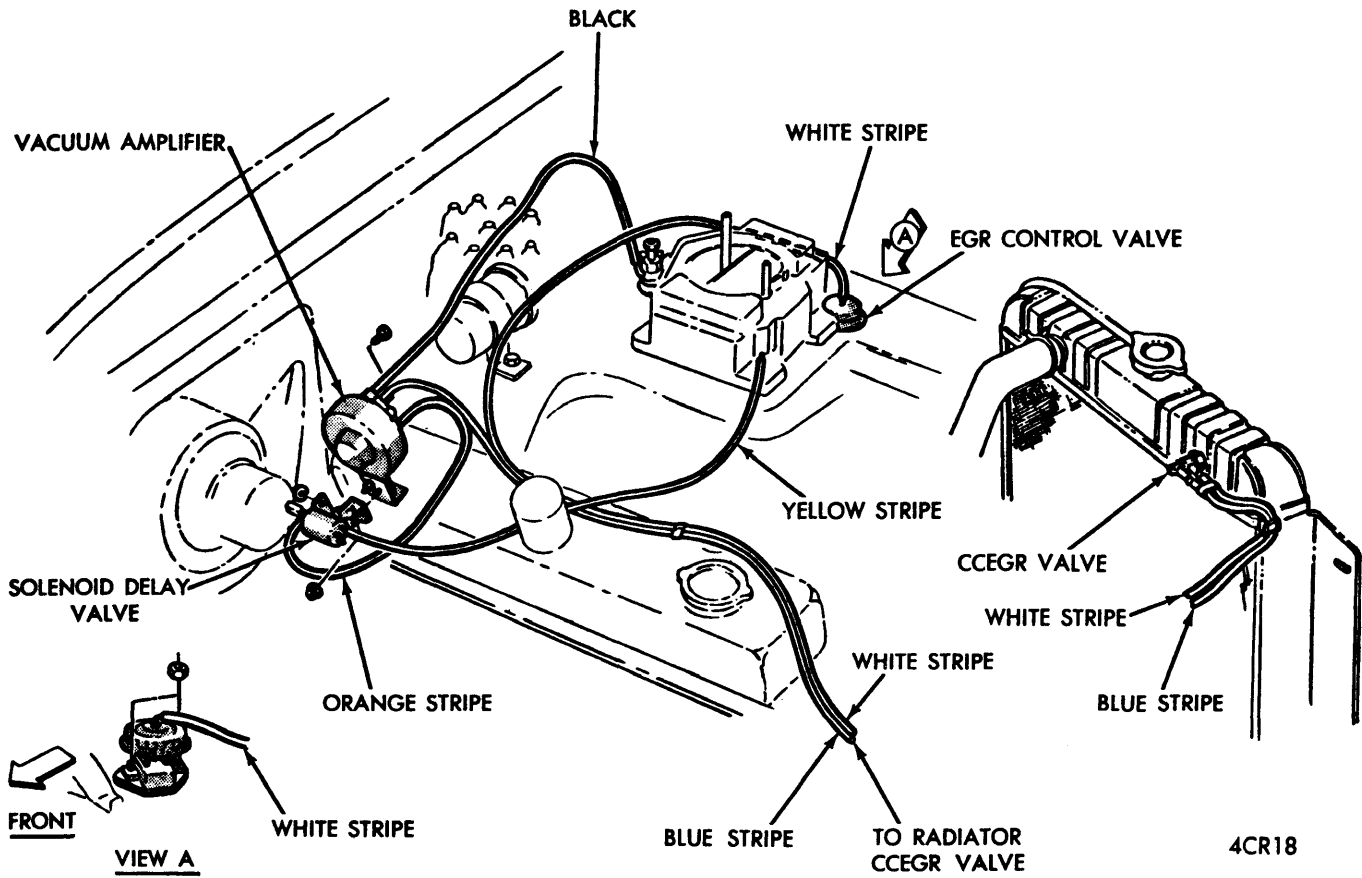
VIEW A

4CR19

EGR VENTURI SYSTEM (1974 D100 MODELS WITH 400" & 440" ENGINE FEDERAL)

Exhaust Emission Systems

CHRYSLER CORP. VACUUM DIAGRAMS (Cont.)



EGR VENTURI SYSTEM (1974 D100 & W100 MODELS WITH 360" ENGINE CALIF.)