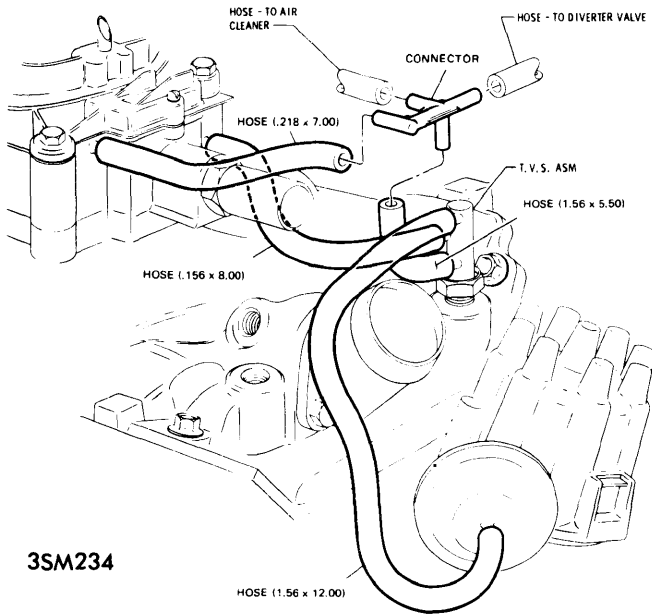
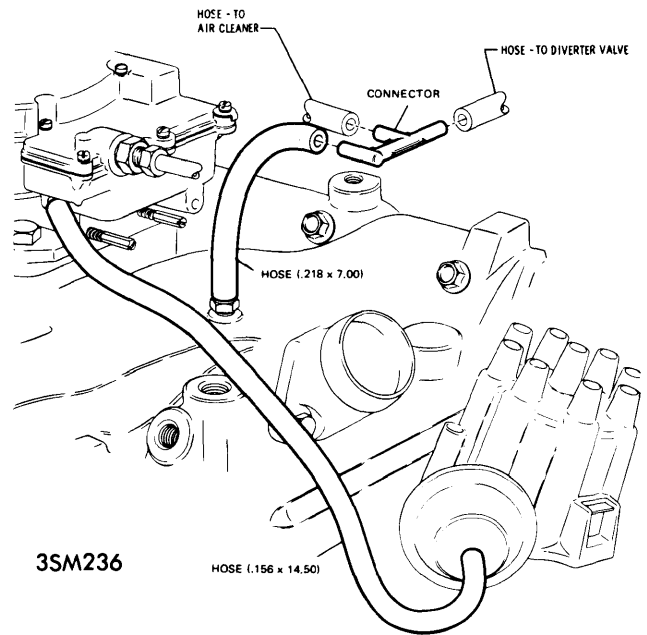


## GENERAL MOTORS VACUUM DIAGRAMS



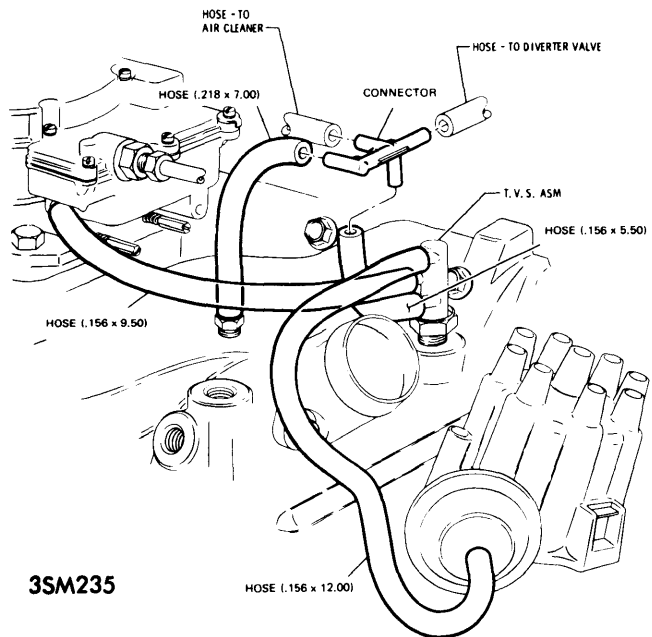
**3SM234**

**BUICK 350" 4-BBL. WITH A/C  
455" EXC. STAGE 1  
(AUTO. TRANS.)**



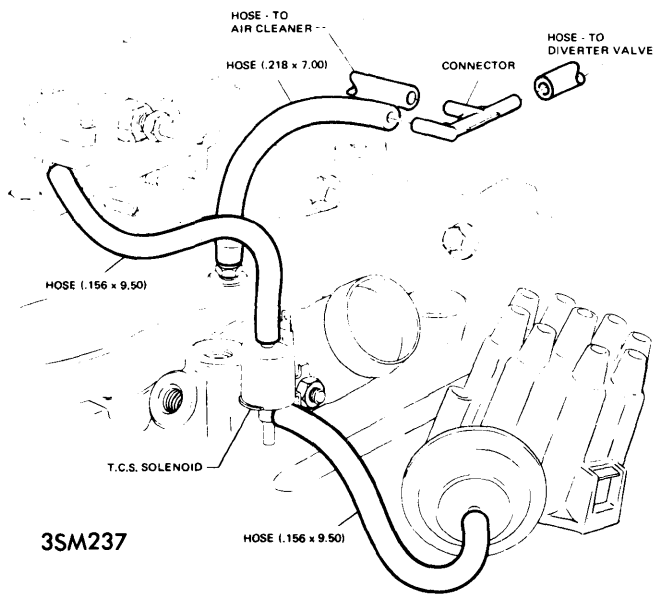
**3SM236**

**BUICK 350" 2-BBL. WITHOUT A/C  
(AUTO. TRANS.)**



**3SM235**

**BUICK 350" 2-BBL. WITH A/C  
(AUTO. TRANS.)**

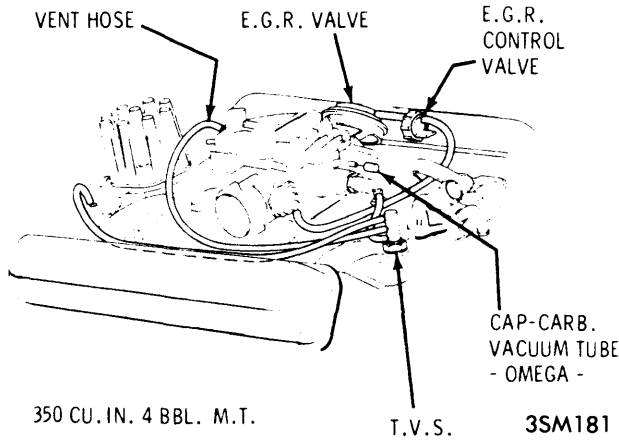


**3SM237**

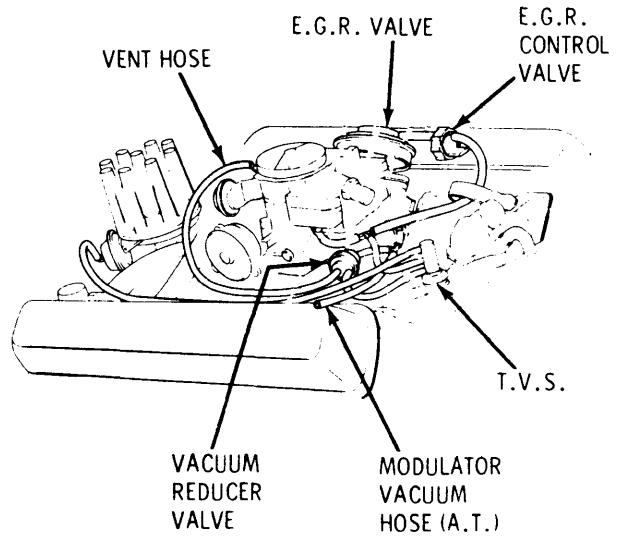
**BUICK 350" 2-BBL.  
(MAN. TRANS.)**

# Exhaust Emission Systems

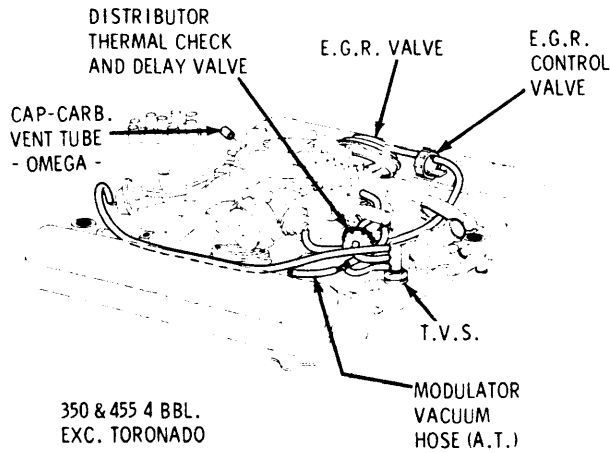
## GENERAL MOTORS VACUUM DIAGRAMS (Cont.)



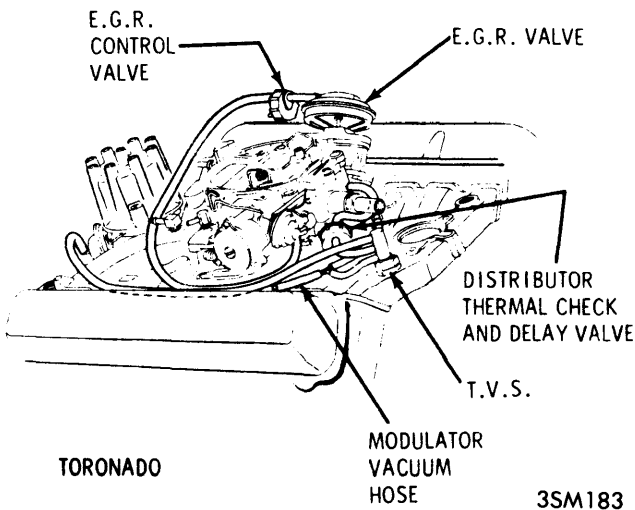
**OLDSMOBILE 350" 4-BBL. (MAN. TRANS.)**



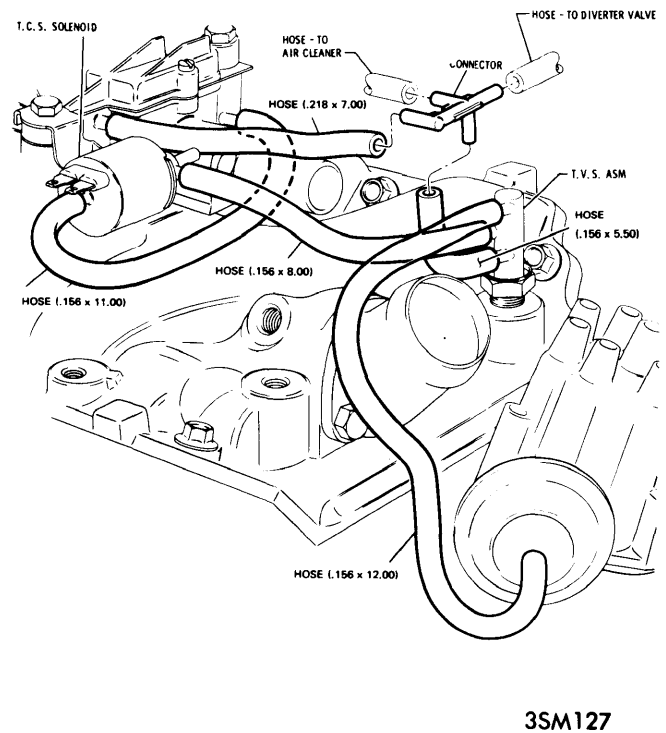
**OLDSMOBILE 350" 2-BBL.**



**OLDSMOBILE 350" & 455" 4-BBL. (AUTO. TRANS. EXC. TORONADO)**

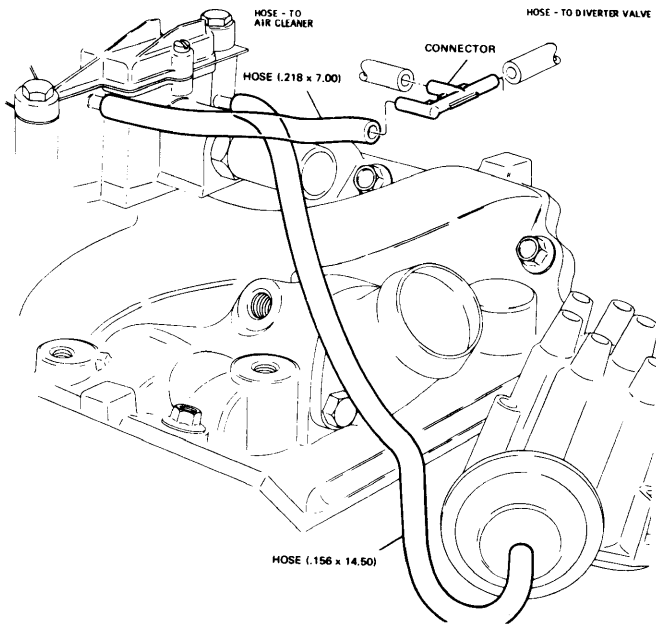


**OLDSMOBILE TORONADO**



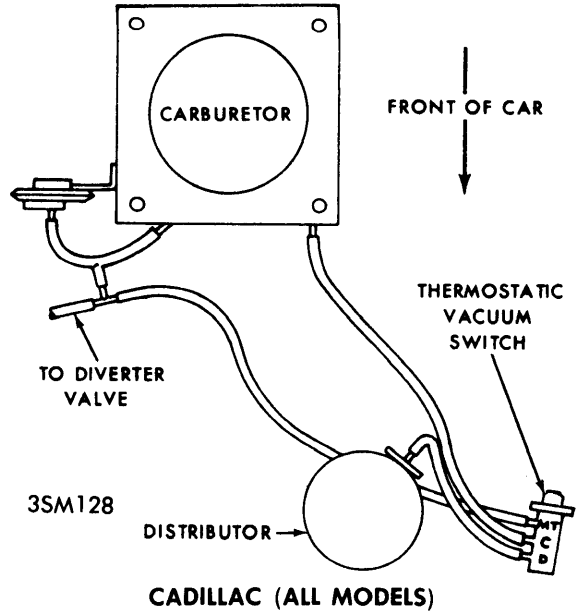
**BUICK 455" (MAN. TRANS.)  
BUICK 455" STAGE 1 (AUTO. TRANS.)**

## GENERAL MOTORS VACUUM DIAGRAMS (Cont.)

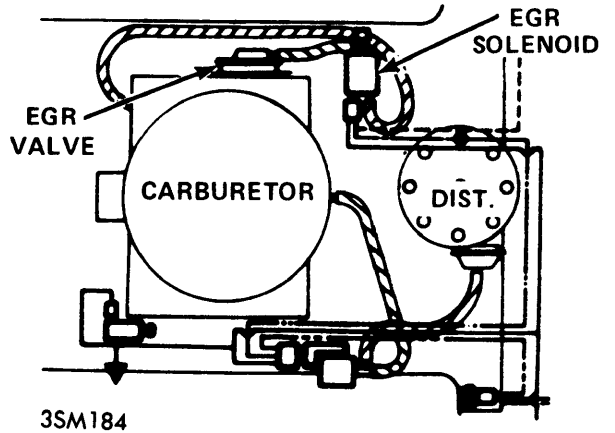


3SM125

**BUICK 350" 4-BBL. WITHOUT A/C  
(AUTO. TRANS.)**

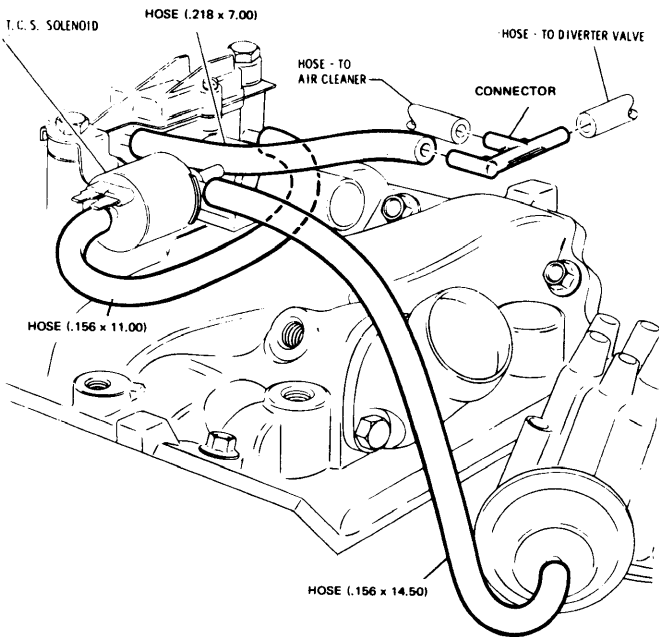


**CADILLAC (ALL MODELS)**



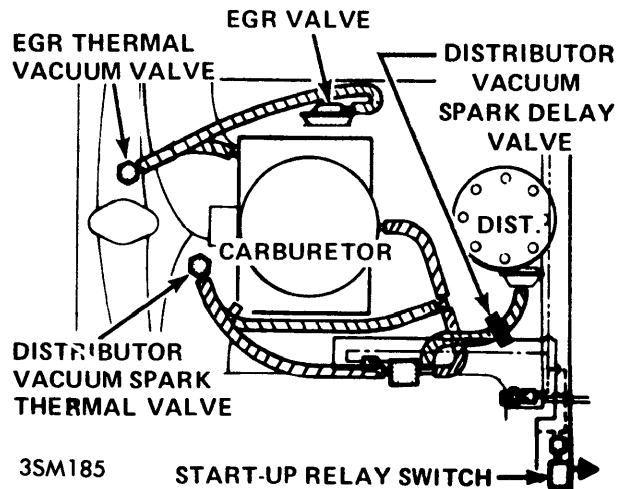
3SM184

**PONTIAC - TYPICAL  
(PRIOR TO MARCH 15, 1973)**



3SM124

**BUICK 350" 4-BBL.  
(MAN. TRANS.)**



3SM185

**PONTIAC - TYPICAL  
(AFTER MARCH 15, 1973)**