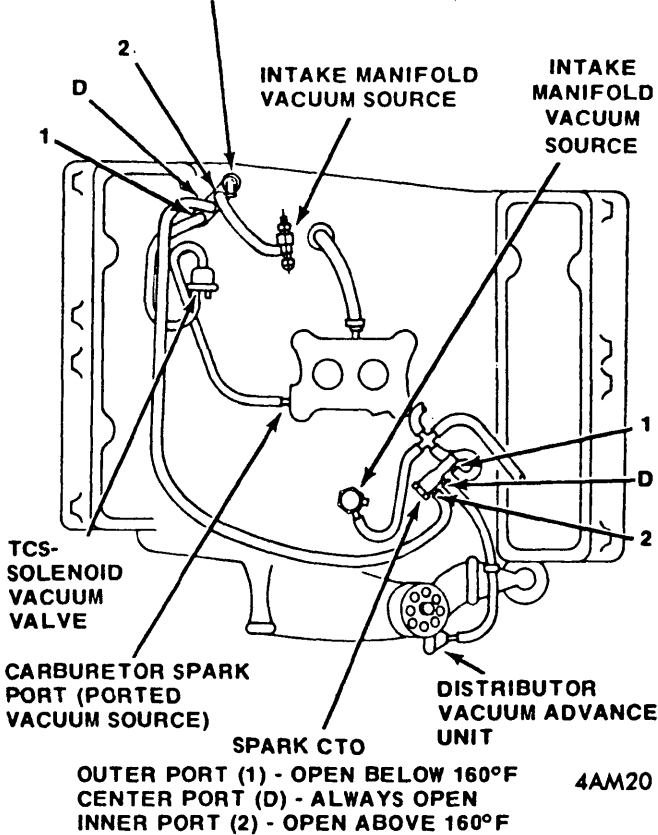


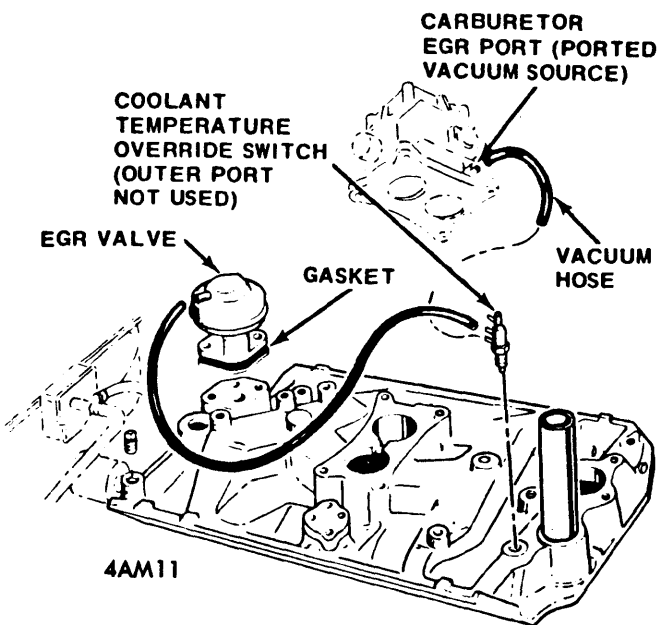
Exhaust Emission Systems

1974 AMERICAN MOTORS & JEEP VACUUM DIAGRAMS

TVS
 OUTER PORT (1) - OPEN BELOW 225°F
 CENTER PORT (D) - ALWAYS OPEN
 INNER PORT (2) - OPEN ABOVE 225°F

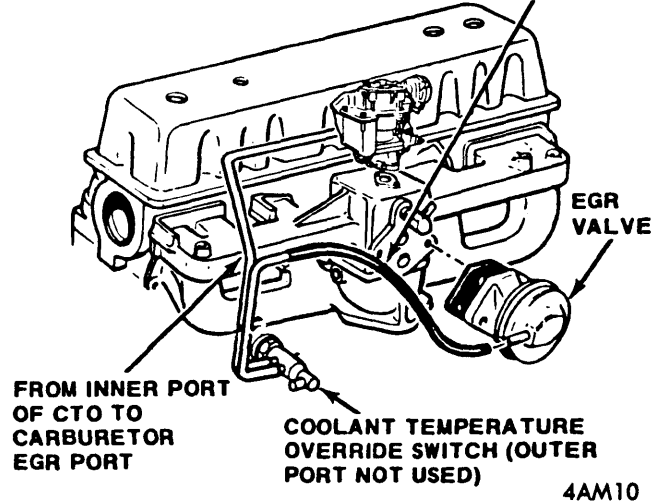


1974 JEEP SPARK CTO (ALL PORTS USED), TVS, TCS



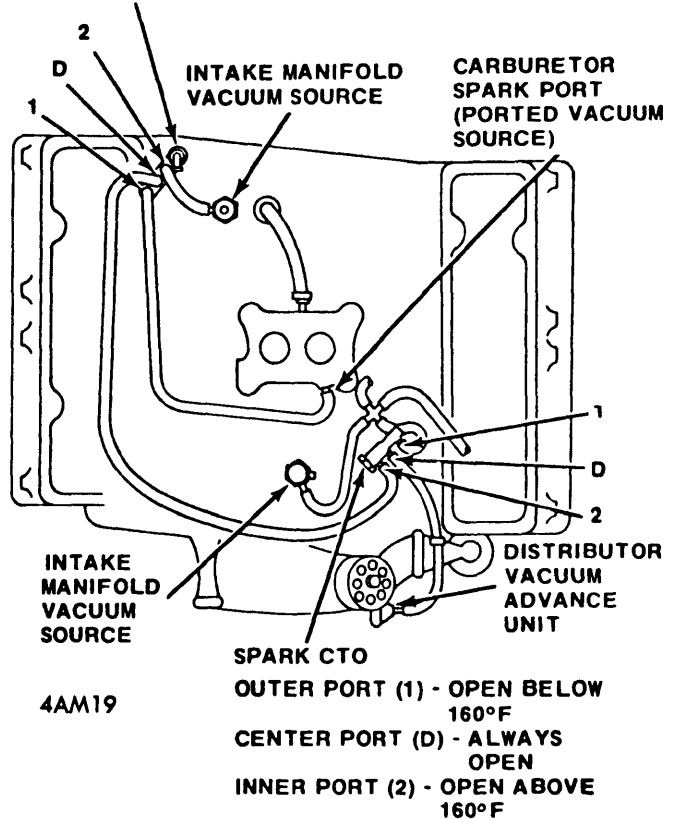
1974 EGR SYSTEM (V8 FEDERAL)

FROM CENTER PORT OF CTO TO EGR VALVE



1974 EGR SYSTEM (6-CYL. FEDERAL)

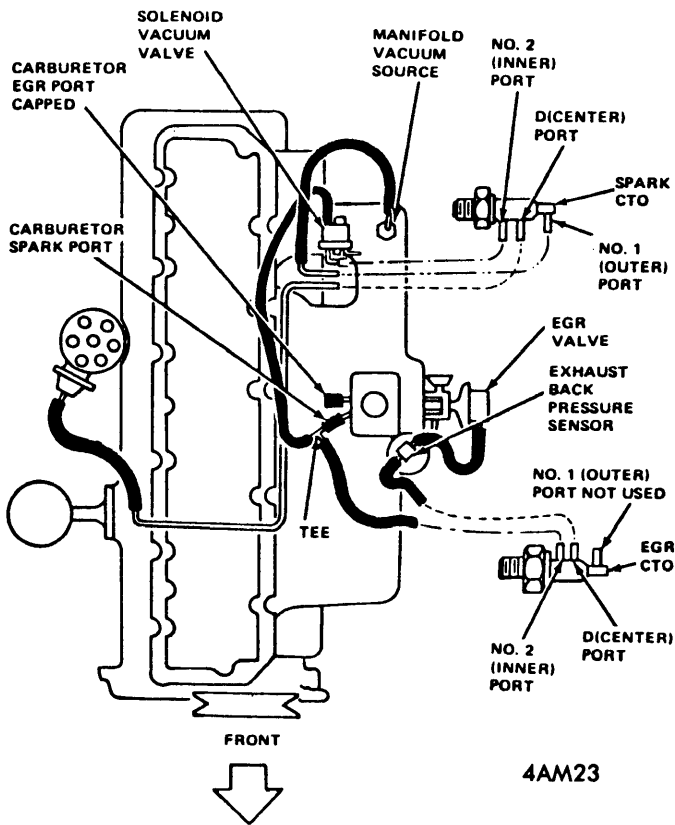
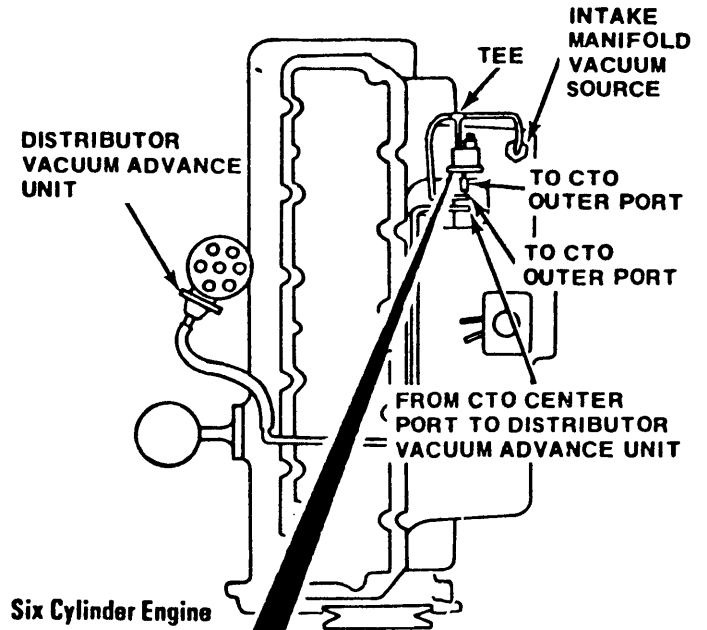
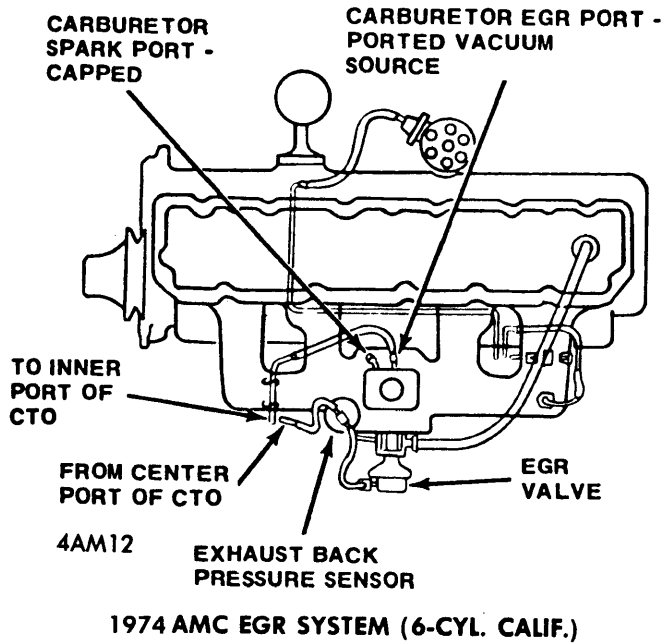
TVS
 OUTER PORT (1) - OPEN BELOW 225°F
 CENTER PORT (D) - ALWAYS OPEN
 INNER PORT (2) - OPEN ABOVE 225°F



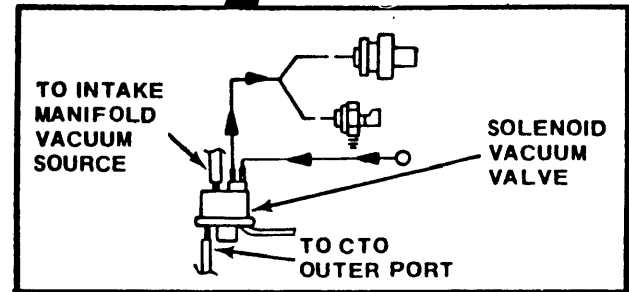
4AM19

1974 JEEP SPARK CTO (ALL PORTS USED) & TVS

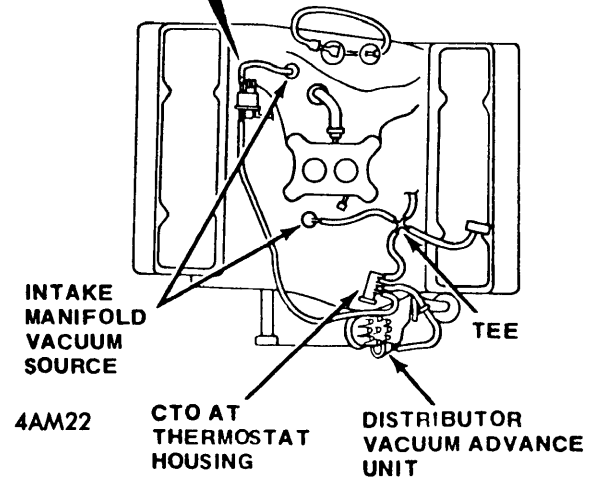
1974 AMERICAN MOTORS & JEEP VACUUM DIAGRAMS (Cont.)



1974 AMC 6-CYL. VACUUM HOSE ROUTING (7401-40-70 SERIES) (CALIF.)



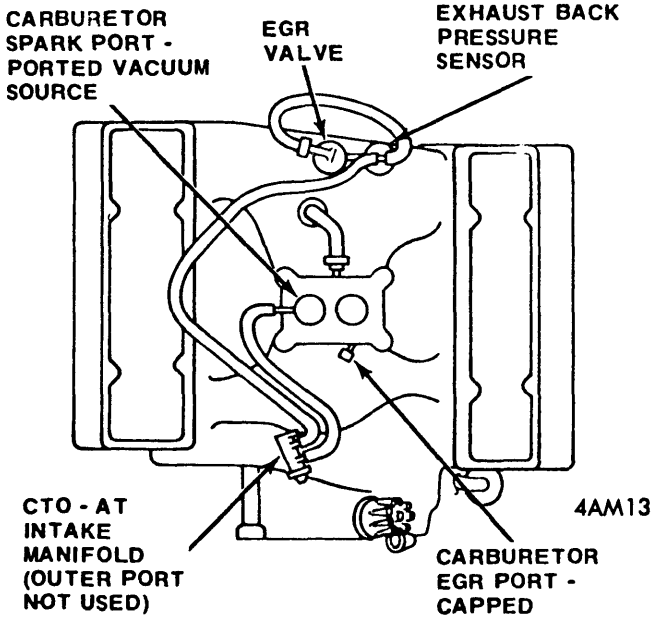
V-8 Engine with Exhaust Back-Pressure Sensor



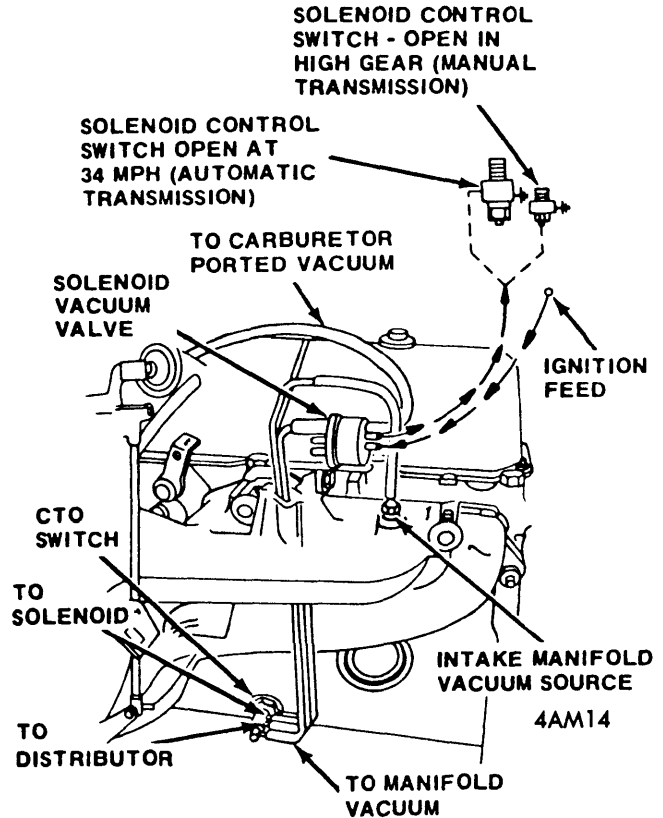
1974 AMC SPARK TCS SYSTEM (CALIF.)

Exhaust Emission Systems

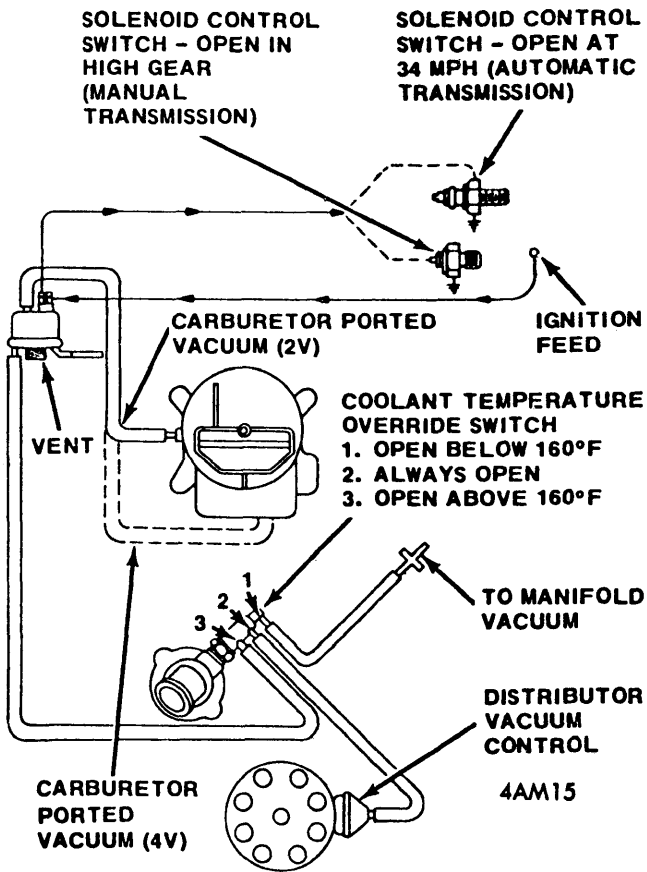
1974 AMERICAN MOTORS & JEEP VACUUM DIAGRAMS (Cont.)



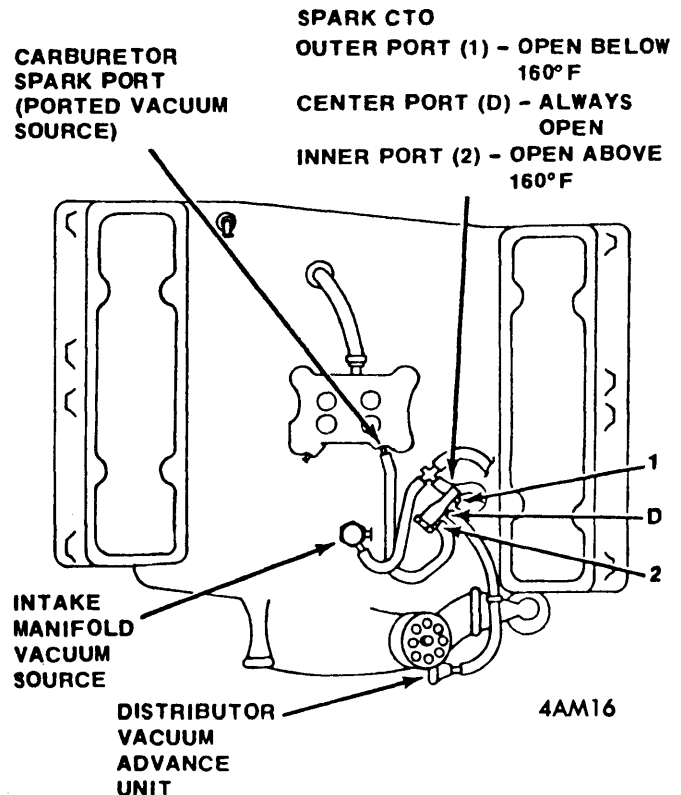
1974 AMC EGR SYSTEM (V8 CALIF.)



1974 TCS SYSTEM WITH SPARK CTO (6-CYL. CALIF.)



1974 AMC TCS SYSTEM (V8 FEDERAL)



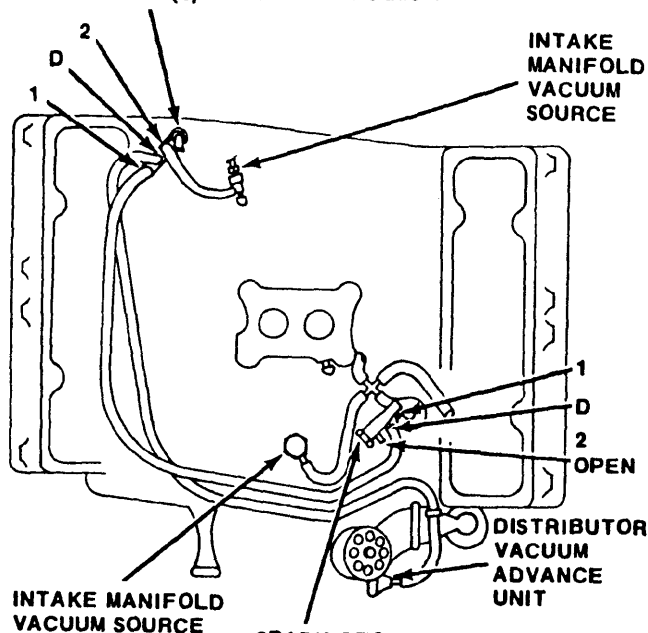
1974 JEEP SPARK CTO (ALL PORTS USED)

Exhaust Emission Systems

1974 AMERICAN MOTORS & JEEP VACUUM DIAGRAMS (Cont.)

TVS

OUTER PORT (1) - OPEN BELOW 225°F
 CENTER PORT (D) - ALWAYS OPEN
 INNER PORT (2) - OPEN ABOVE 225°F



4AM17

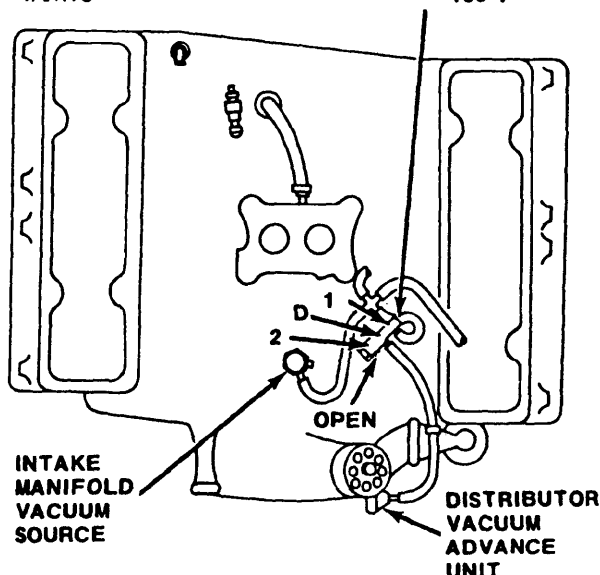
SPARK CTO
 OUTER PORT (1) - OPEN BELOW 160°F
 CENTER PORT (D) - ALWAYS OPEN
 INNER PORT (2) - OPEN ABOVE 160°F

1974 JEEP SPARK CTO (No. 2 PORT NOT USED)

SPARK CTO

OUTER PORT (1) - OPEN BELOW 160°F
 CENTER PORT (D) - ALWAYS OPEN
 INNER PORT (2) - OPEN ABOVE 160°F

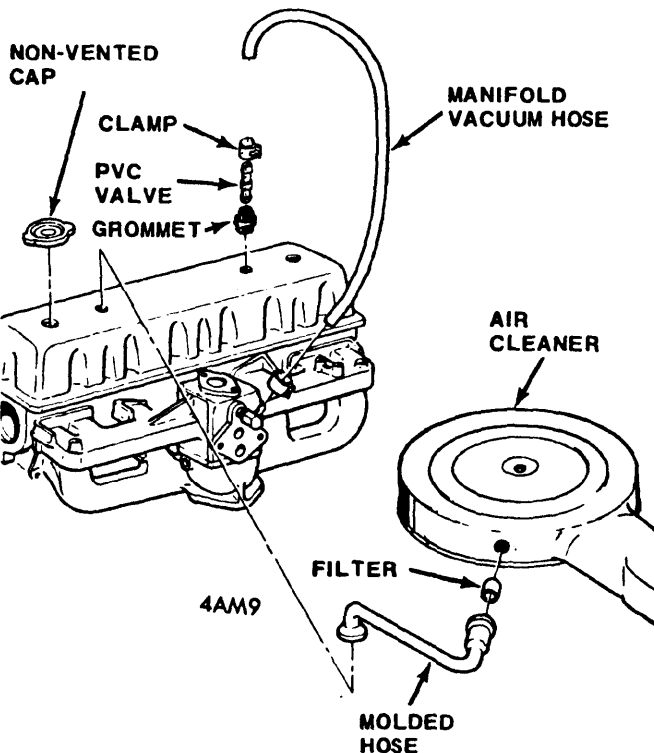
4AM18



1974 JEEP SPARK CTO (No. 2 PORT NOT USED) & TVS

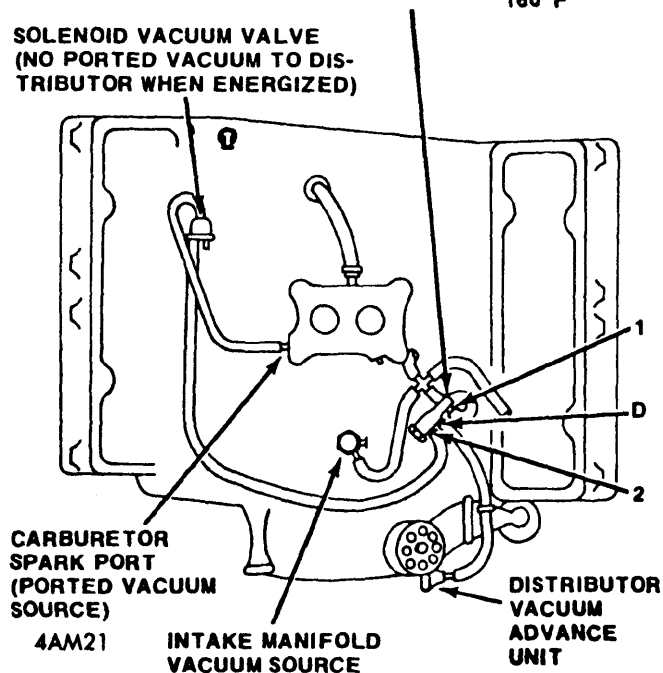
SPARK CTO

OUTER PORT (1) - OPEN BELOW 160°F
 CENTER PORT (D) - ALWAYS OPEN
 INNER PORT (2) - OPEN ABOVE 160°F



1974 PCV SYSTEM (6-CYL.)

SOLENOID VACUUM VALVE
 (NO PORTED VACUUM TO DISTRIBUTOR WHEN ENERGIZED)

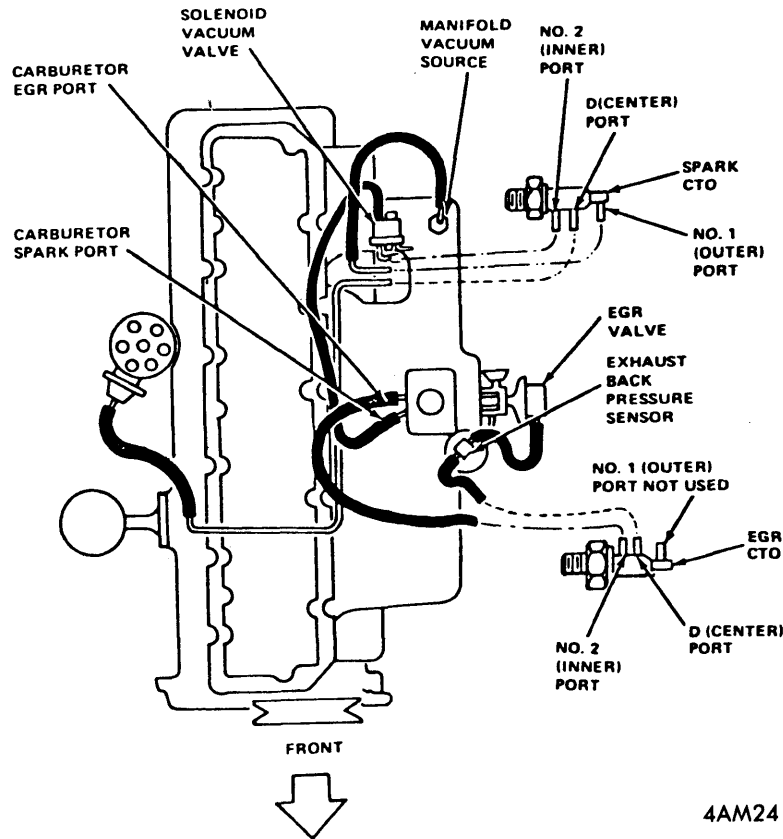


4AM21

1974 JEEP SPARK CTO (ALL PORTS USED) & TVS

Exhaust Emission Systems

1974 AMERICAN MOTORS & JEEP VACUUM DIAGRAMS (Cont.)



1974 1974 AMC 6-CYL. VACUUM HOSE ROUTING (7401-40-70 SERIES)
 (CALIF.) (FROM VIN A4XXXXX330968)