

## FORD

Bronco  
E100/350  
F100/350

## DESCRIPTION

Two different types of clutches are used in Ford vehicles. Both types are single plate, dry types, with one being non-centrifugal and the other being semi-centrifugal. Clutch release is accomplished through mechanical linkage. The pedal pressure is transmitted through a series of rods and an equalizer shaft.

## REMOVAL &amp; INSTALLATION

## CLUTCH

**Removal & Installation** — Raise and support vehicle under frame. Disconnect clutch fork return spring and clutch fork push rod at clutch fork. Remove transmission. See *appropriate article in MANUAL TRANSMISSION SERVICING Section*. Remove starter and clutch housing. Mark flywheel and clutch cover for reassembly, then loosen clutch cover attaching bolts evenly until clutch cover spring tension is released. Remove bolts and remove clutch assembly from vehicle. To install, clean flywheel surface, and reverse removal procedure. Tighten bolts evenly and alternately to specification.

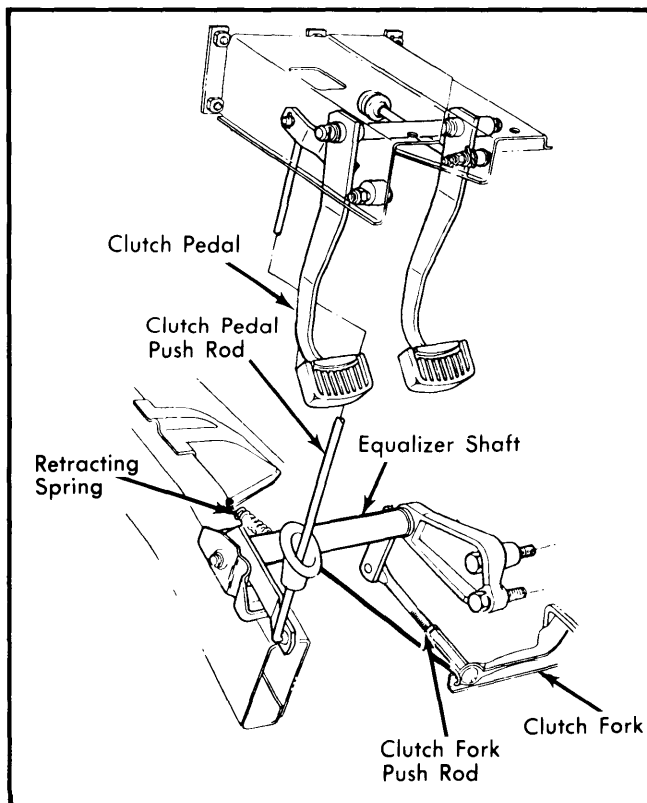


Fig. 1 Assembled View of Typical Clutch Linkage

## ADJUSTMENT

## CLUTCH PEDAL FREE TRAVEL

**All Models** — 1) The amount of pedal movement from full stop to point where clutch release bearing contacts clutch fingers is pedal free travel.

2) Specified pedal free travel is  $\frac{3}{4}$ - $1\frac{1}{2}$ ". If not to specification, adjust as follows: Remove retracting spring. Loosen both lock nuts on rod.

3) Position bullet end of rod tight against clutch release lever. Push rod tight against arm to eliminate all free play.

4) Insert a .135" thick spacer or gauge between lock nut and bullet. Tighten nut against spacer with all free play eliminated.

5) Tighten second lock nut against first, finger tight. Remove spacer and tighten lock nuts together. This should give specified pedal free play.

6) If not to specification, repeat adjustment until correct free play is obtained.

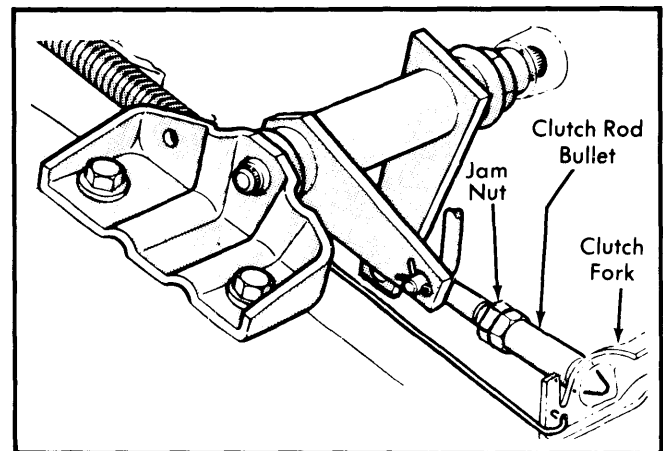


Fig. 2 Clutch Pedal Free Travel Adjustment

## TIGHTENING SPECIFICATIONS

Application	Ft. Lbs.
Clutch Cover-to-Flywheel .....	20-29
Clutch Housing-to-Engine Block .....	40-50
Transmission-to-Clutch Housing .....	42-50
Adjusting Nut Lock Nuts .....	15-20