

WARN SELECTIVE SPRING-LOCK

DESCRIPTION

Locking hubs provide a means of engagement of front wheels on vehicles with front driving axle. When hubs are engaged, full power is transmitted to both front wheels. When hubs are disengaged, front wheels are free to turn but axle shafts and differential will remain idle. Engagement is accomplished through action of gears within hub. With hub in engaged position, clutch body and hub body of hub assembly act as one piece to connect axle to wheel hub.

IDENTIFICATION

All Warn Hubs employ BRASS control knobs to engage and disengage locking mechanism. Model number of hub is stamped into recesses of control knob. Model numbers for Warn Selective Spring-Lock Hubs are as follows:

Warn Selective Spring-Lock Hubs

Application	Model No.
All Models	M243

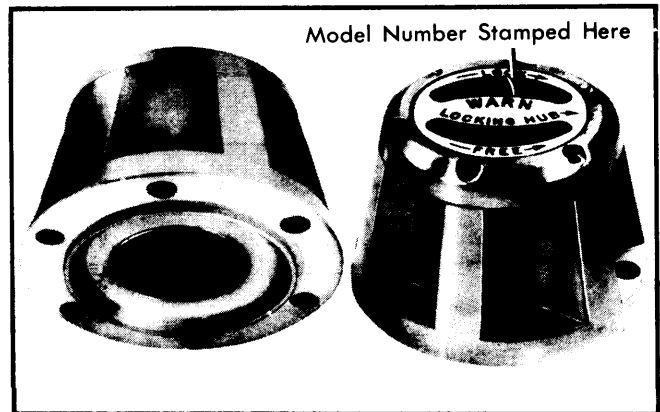


Fig. 2 View of External Type Spring-Lock Hub

REMOVAL & INSTALLATION

INTERNAL LOCKING TYPE

Remove Allen head mounting screws and carefully separate clutch body assembly from hub body assembly. Remove hub body retaining ring and slide hub body off axle shaft. To install, reverse removal procedure.

EXTERNAL LOCKING TYPE

Remove Allen head screws attaching clutch body to hub body and carefully remove clutch body assembly. Bend locking tabs out of way and remove hub body attaching bolts. Remove hub body retaining ring from end of axle shaft and remove hub body. To install, reverse removal procedure, using new gaskets.

OVERHAUL

HUB BODY

Disassembly — Using suitable pliers, remove inner hub body snap ring. Remove axle shaft hub from hub body, noting from which side of body gear teeth extend. Remove needle bearing assembly.

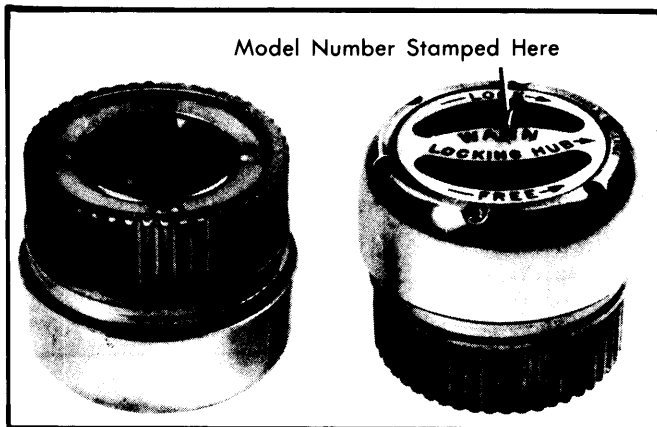


Fig. 1 View of Internal Type Spring-Lock Hub

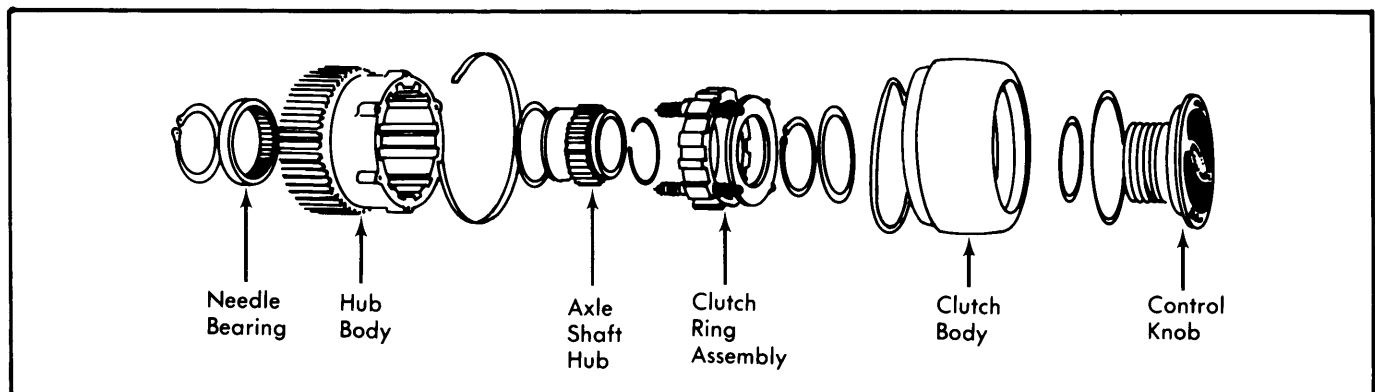


Fig. 3 Exploded View of Internal Type Spring-Lock Hub