

# Clutches

CHRYSLER CORP.

## DESCRIPTION

Clutches used on all Dodge and Plymouth models are single, dry type of Borg and Beck design. Adjustment for wear is not provided in clutch itself, however clutch pedal linkage is adjustable to maintain specified pedal free play. Clutch linkage on all models is the mechanical type.

## REMOVAL & INSTALLATION

### CLUTCH

**Removal** — Remove transfer case (if equipped). See appropriate article in TRANSFER CASE Section. Remove transmission. See appropriate article in MANUAL TRANSMISSION SERVICING Section. Remove clutch housing pan. Disconnect clutch fork return spring. Remove clutch fork and clutch release bearing if not removed with transmission. Mark position of clutch cover on flywheel for reassembly. Remove clutch cover bolts by loosening one or two turns at a time in sequence until all bolts are removed. Remove clutch cover and disc from flywheel.

**Installation** — Make sure clutch surface on flywheel is clean. Align clutch cover and disc using a suitable aligning tool. Make sure clutch cover is installed in original position on flywheel. Tighten clutch cover bolts a few turns at a time, alternately and evenly. Fill bearing sleeve cavity with grease, and apply a thin film to release fork pads. Lubricate clutch fork fingers and pivot contact area. To complete installation, reverse removal procedure.

### PILOT BEARING (BUSHING)

**Removal** — Thread a suitable tapered pilot into bushing, and install puller screw into pilot. Turn puller screw until bushing is removed from crankshaft.

**Installation** — Using a soft faced hammer, drive bushing into crankshaft until edge of bushing is flush with inner surface of flywheel.

## ADJUSTMENT

### CLUTCH COVER ASSEMBLY

*NOTE* — Manufacturer recommends no adjustment of clutch cover on Dodge "B", "AD" and "AW" models, and Plymouth "PB", "PD" and "PW" models.

Mount clutch cover assembly on a suitable fixture, with clutch release levers over feeler gauges built into fixture. Place proper spacer over center screw of fixture, and install compression plate over spacer. Install aligning washer and compression nut onto screw. Tighten compression nut until compression plate just contacts spacers. Adjust release lever eye bolt nuts until a slight drag is felt when feeler gauges are withdrawn.

### Clutch Spacer Usage.

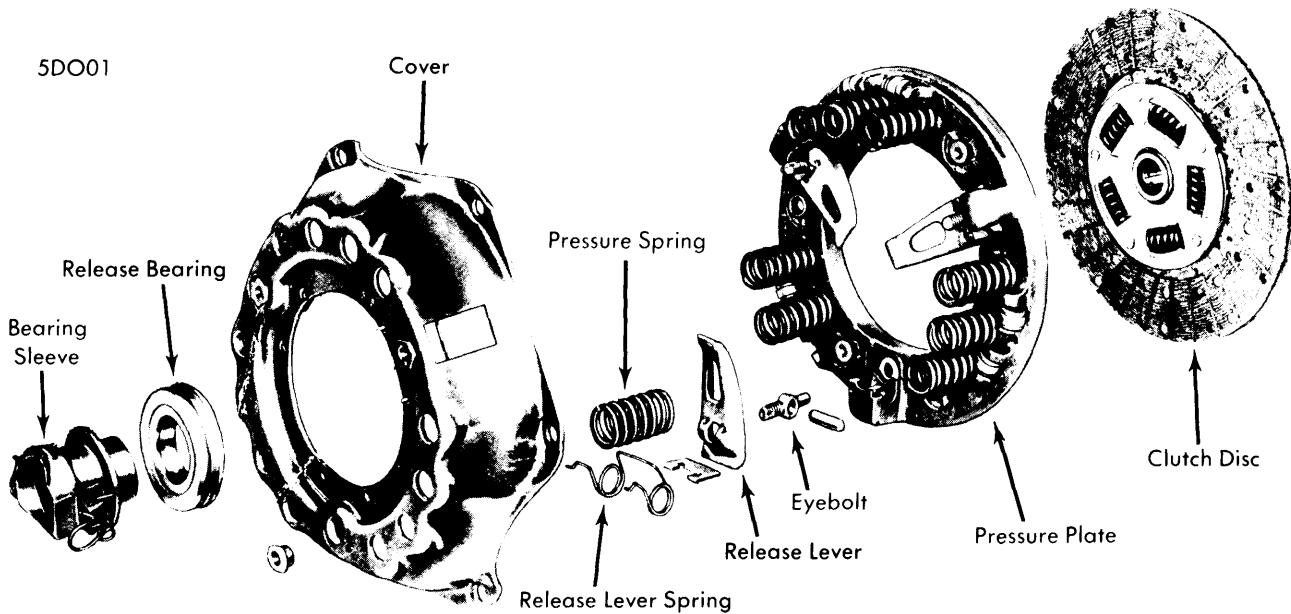
Clutch Diameter	Spacer Number
11" .....	No. 19 & 21
13" .....	No. 20 & 43

### CLUTCH LINKAGE

**All Models** — Adjust clutch fork push rod to obtain specified free play at clutch fork push rod pivot pin. This free play will provide correct pedal free play.

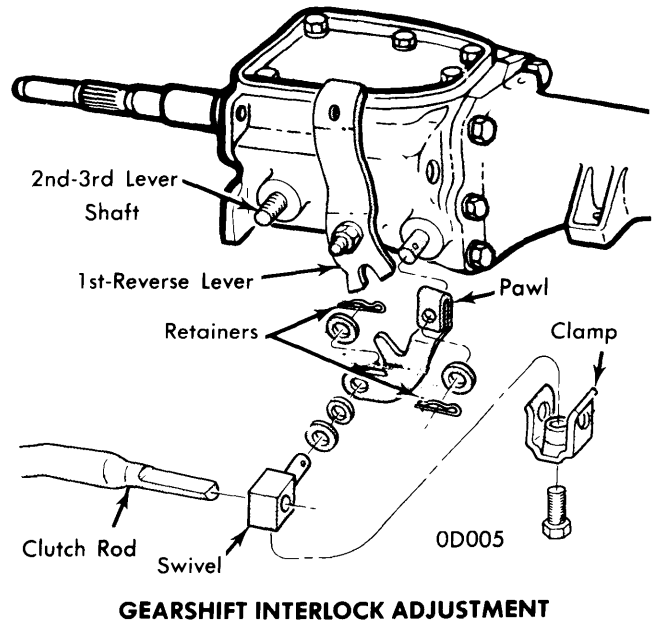
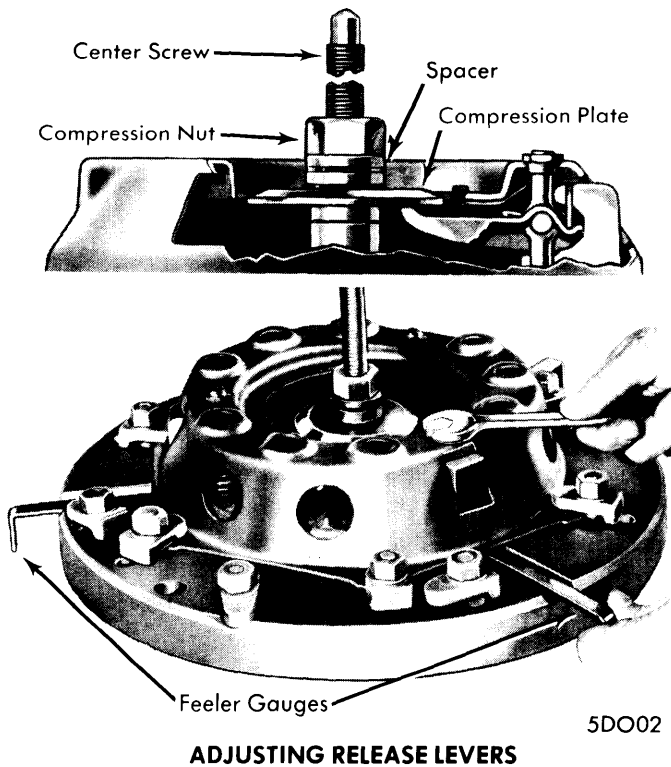
### Clutch Fork Free Play

Application	Free Play
Dodge "B", "AD" & "AW" Models.....	$\frac{3}{32}$ "
Plymouth "PB", "PD" & "PW" Models .....	$\frac{1}{32}$ "
Dodge Remaining Models.....	$\frac{3}{16}$ "



**BORG & BECK TYPE CLUTCH ASSEMBLY**

## CHRYSLER CORP. (Cont.)



### GEARSHIFT INTERLOCK

**Dodge "B" & Plymouth "PB" 6 Cyl. Models** – Disconnect clutch rod swivel from interlock pawl, and adjust clutch pedal free play. Place first-reverse lever on transmission in middle detent position, and rotate interlock pawl until tang on pawl is in slot in lever. Loosen swivel clamp bolt and move swivel on rod until end of swivel can be inserted in hole in pawl. Tighten swivel clamp bolt, and install retainer in swivel.

### TIGHTENING SPECIFICATIONS

Application	Ft. Lbs.
Clutch Cover-to-Flywheel Bolts .....	30
Clutch Fork Pivot Stud.....	15
Overcenter Spring Anchor.....	8
Clutch Pedal Pivot Bolt.....	30
Transmission-to-Clutch Housing.....	50