

Ford Motor Co. V8 Engines

302" & 351-W" V8 ENGINES

GENERAL SPECIFICATIONS							
Year	Displ. Cu. Ins.	Carburetor	HP at RPM	Torque (Ft. Lbs. at RPM)	Compr. Ratio	Bore	Stroke
1975	302"	2-Bbl.	4.00"	3.00"
	351-W"	2-Bbl.	4.00"	3.50"

ENGINE IDENTIFICATION

Rating plate carries information concerning vehicle model, series, point of manufacture, and unit number. Plate is located on cowl surface under hood. Number code is as follows:

U15GDC50000

- First Digit** - Truck Series Letter.
- Second & Third Digits** - Truck Series Number.
- Fourth Digit** - Engine Code.
- Fifth Digit** - Assembly Plant.
- Remaining Digits** - Consecutive Unit Number.

V8 Engine Identification Codes

Engine	Code Letter
302" 2-Bbl.	G
351-W" 2-Bbl.	H

ENGINE REMOVAL

See *Engine Removal* at end of *ENGINE* Section.

INTAKE MANIFOLD

Removal - 1) Drain cooling system. Remove air cleaner and duct assembly, disconnect radiator and heater hoses at intake manifold and water pump.

2) Remove distributor cap and spark plug wires as an assembly, remove distributor. Disconnect and remove fuel lines and vacuum lines to carburetor.

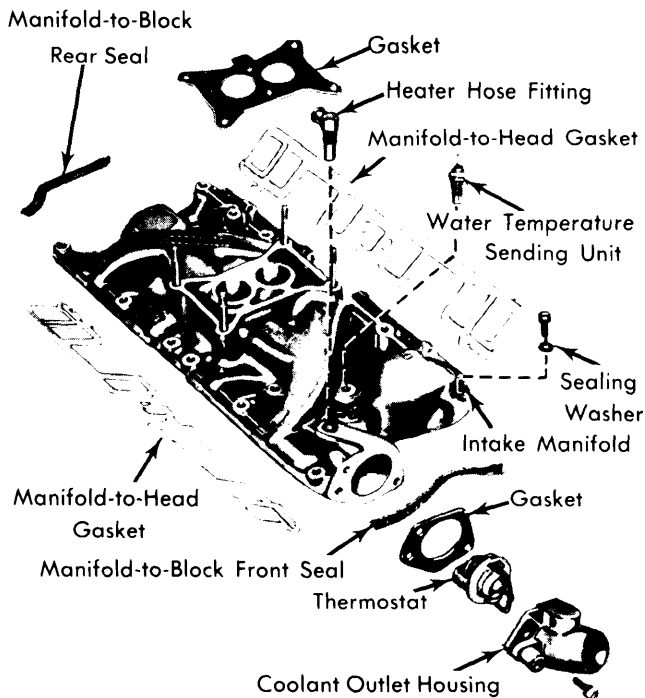
3) Remove any electrical wiring to manifold, remove manifold bolts. Remove manifold and carburetor as a unit. *NOTE* - It may be necessary to pry intake manifold away from cylinder head. Be careful not to gouge or damage machined gasket surfaces.

Installation - 1) Clean all gasket surfaces thoroughly and apply suitable oil resistant sealer at four points of gasket contact.

2) Position manifold gaskets on surface of cylinder heads. Lock front and rear sealing gaskets into tabs on manifold gaskets. Check to see that all gaskets are aligned properly.

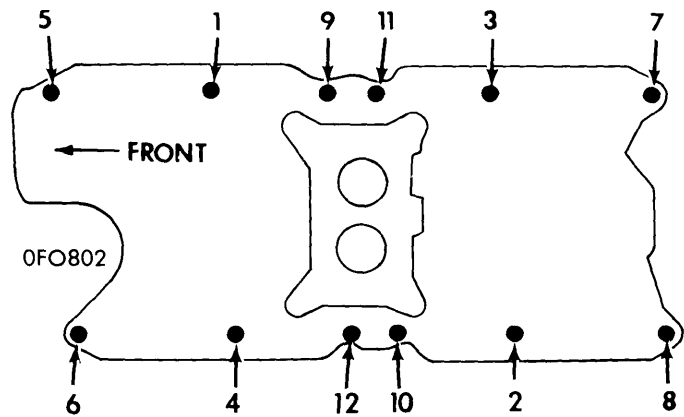
3) Lower manifold into position taking care not to misalign manifold gaskets. Install manifold bolts and tighten in sequence shown in illustration to specified torque.

4) Replace and secure all other parts and assemblies and start engine. Warm to normal operating temperature, shut off engine and retorquer manifold bolts to specifications.



OFO801

INTAKE MANIFOLD ASSEMBLY



INTAKE MANIFOLD TIGHTENING SEQUENCE

302" & 351-W" V8 ENGINES (Cont.)

CYLINDER HEAD

Removal - 1) Remove intake manifold as outlined in Intake Manifold Removal. Remove rocker arm covers.

2) If only one head assembly is to be removed, loosen and move all attaching accessories on the appropriate side of engine. Disconnect exhaust manifold from muffler inlet pipe.

3) Loosen rocker arm stud nuts to allow rocker arms to be rotated to one side. Remove push rods in sequence in order to reinstall in original positions. Remove exhaust valve stem caps (302" only).

4) Remove cylinder head attaching bolts and lift head off engine. Discard old head gasket.

Installation - 1) Clean all gasket surfaces thoroughly. Check cylinder head and block surfaces for flatness if cylinder head was removed for gasket replacement.

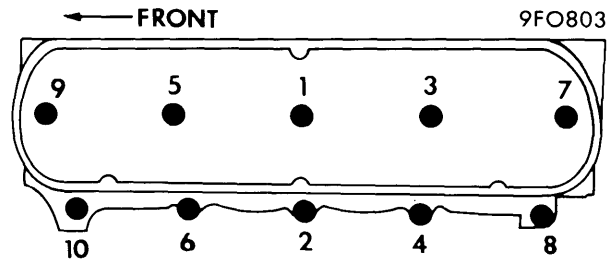
2) Place new cylinder head gasket over dowel pins on block surface. *NOTE* - 302" & 351-W" engines use specially treated composition gasket. Do not apply sealer to this gasket.

3) Install cylinder head and tighten head bolts in sequence shown in illustration to specified torque using three-step tightening method.

4) Install exhaust manifold, replace gasket at muffler inlet pipe. Tighten all bolts securely.

Cylinder Head Tightening Specifications

Step One	Step Two	Step Three
302" 50 ft. lbs.	60 ft. lbs.	65-72 ft. lbs.
351-W" 95 ft. lbs.	100 ft. lbs.	105-112 ft. lbs.



CYLINDER HEAD BOLT TIGHTENING SEQUENCE

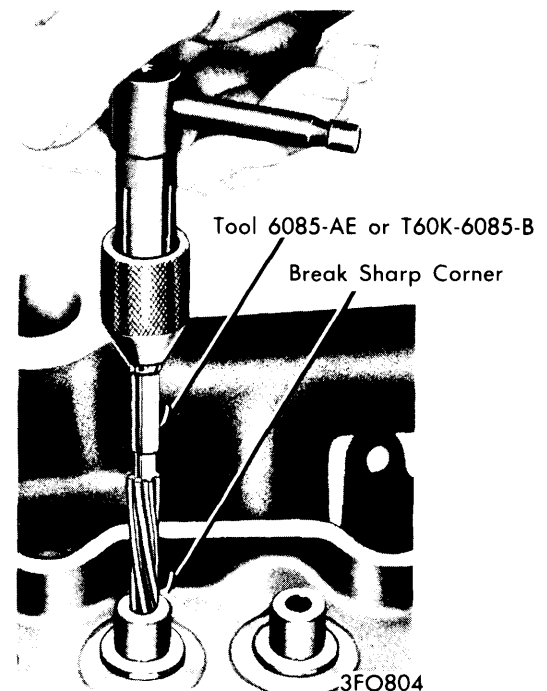
VALVES							
Engine & Valve	Head Diam.	Face Angle	Seat Angle	Seat Width	Stem Diameter	Stem Clearance	Valve Lift
302" Int.	1.773-1.791"	44°	45°	.060-.080"	.3416-.3423"	.0010-.0027"	.3707"
Exh.	1.453-1.468"	44°	45°	.060-.080"	.3411-.3418"	.0015-.0032"	.3823"
351-W" Int.	1.773-1.791"	44°	45°	.060-.080"	.3416-.3423"	.0010-.0027"	.4180"
Exh.	1.453-1.468"	44°	45°	.060-.090"	.3411-.3418"	.0015-.0032"	.4480"

VALVE ARRANGEMENT

E-I-E-I-E-I-E-I (Left bank, front to rear).
I-E-I-E-I-E-I-E (Right Bank, front to rear).

VALVE GUIDE SERVICING

To ream guides for installation of valves with oversize stems, always use reamers in size sequence and reface valve seat after valve guide is reamed. Reamers are furnished .003" oversize with standard diameter pilot; .015" oversize reamer with .003" oversize pilot; and .030" oversize reamer with .015" oversize pilot. *NOTE* - Use suitable scraper tool to break sharp corner (ID) at top of valve guide after reaming.



REAMING VALVE GUIDES (TYPICAL)

VALVE STEM OIL SEALS

Cup or umbrella type seals are used on all valves. Install seals with cup side down over valve guide.

Ford Motor Co. V8 Engines

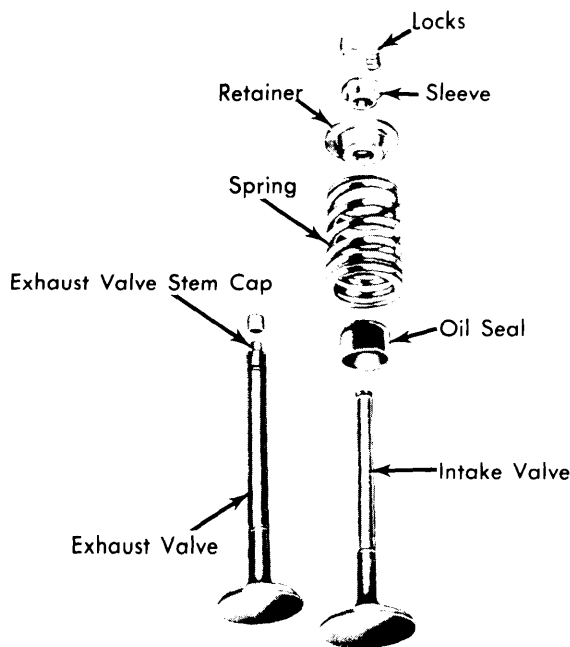
302" & 351-W" V8 ENGINES (Cont.)

VALVE SPRINGS			
Engine	Free Length	PRESSURE (LBS.)	
		Valve Closed	Valve Open
302"	Int.	76-84 @ 1.69"	190-210 @ 1.31"
	Exh.	76-84 @ 1.60"	190-210 @ 1.22"
351-W"	Int.	71-79 @ 1.79"	190-210 @ 1.34"
	Exh.	71-79 @ 1.79"	190-210 @ 1.34"

VALVE SPRINGS

Removal - 1) Remove air cleaner, crankcase ventilation regulator valve, and any Thermactor air hoses (if equipped) as necessary from rocker arm cover(s), remove cover(s). Remove spark plug from any cylinder to be serviced.

2) Install air line with adapter into spark plug hole. Remove appropriate rocker arm(s) and push rod(s). On 302" engine, remove exhaust valve stem caps. Use suitable spring compression tool to compress valve and remove retainer locks. **NOTE** - If air pressure fails to hold valve closed, remove cylinder head for inspection of valve seat area. Remove and discard valve stem seal after removing spring retainer, and valve spring. **CAUTION** - Do not remove air pressure from cylinder as this will allow valve to fall into cylinder if piston has been forced to bottom of cylinder.

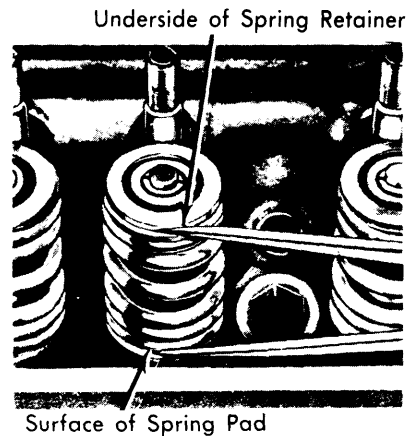


OF0805

VALVE ASSEMBLY

Installation - 1) Lubricate valve stem with engine oil and install new valve stem seal. Place spring in position over valve and position spring retainer and sleeve. Compress valve spring and install retainer locks.

2) Apply Lubriplate or equivalent to end of push rods and tip of valve stem. Install valve stem caps on 302" engine. Install rocker arms and tighten. Replace all parts removed in reverse of removal procedure.

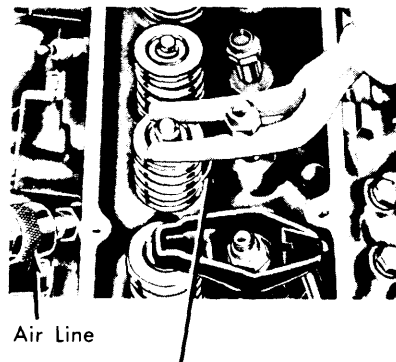


OF0806

CHECKING VALVE SPRING INSTALLED HEIGHT

VALVE SPRING INSTALLED HEIGHT

Valve spring ends must be square within $\frac{5}{64}$ " tolerance. Installed height of valve spring must not exceed specifications. Measure spring height from surface of cylinder head pad to underside of spring retainer. If height is greater than specified, install .030" spacer on head under spring to bring height within limits. **CAUTION** - Install spacers only if necessary and do not use more than two spacers as any more will overstress springs and overload camshaft lobes.



Tool T62F-6565-A or 6513-HH

OF0807

COMPRESSING VALVE SPRING

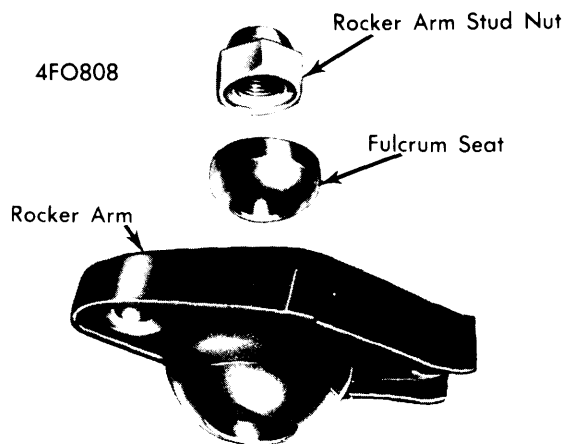
302" & 351-W" V8 ENGINES (Cont.)

Valve Spring Installed Height Specifications

Application	Installed Height
302"	
Int.....	1 ⁴³ / ₆₄ " - 1 ⁴⁵ / ₆₄ "
Exh.....	1 ¹⁹ / ₃₂ " - 1 ³⁹ / ₆₄ "
351-W"	
Int.....	1 ⁴⁹ / ₆₄ " - 1 ¹³ / ₁₆ "
Exh.....	1 ⁴⁹ / ₆₄ " - 1 ¹³ / ₁₆ "

ROCKER ARM ASSEMBLY

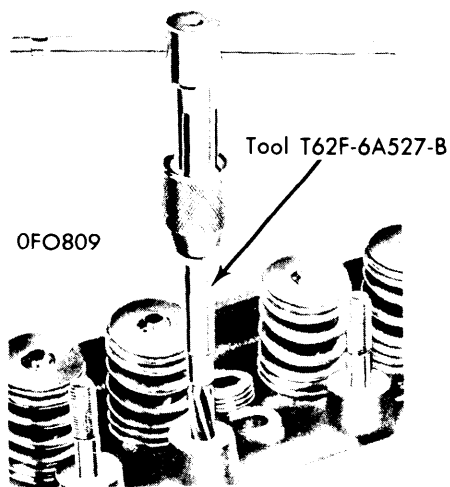
Inspect rocker arms, fulcrum seats, rocker arm stud nuts, and rocker studs for undue or excessive wear. Replace all parts which show fatigue.



ROCKER ARM ASSEMBLY

ROCKER ARM STUDS

Removal — Studs with worn or damaged threads can be removed using suitable stud pulling tool. Broken studs will require use of drill or screw extractor tool. Loose studs will need stud boss reamed to fit oversize studs.

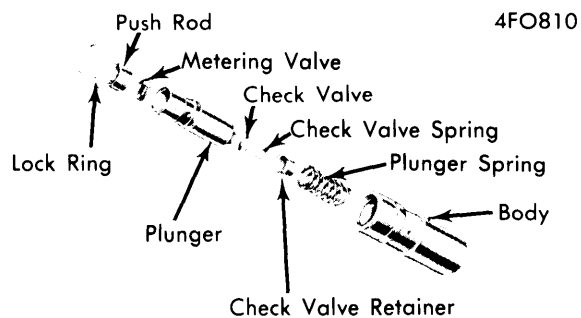


ROCKER ARM STUD REAMING PROCEDURE

Replacement — Normal stud replacement requires only use of suitable stud driver which will contact stud boss when stud is driven in to correct height. If oversize stud is needed, use reamers in sequence to obtain correct size. Studs are available in .006", .010", and .015" oversizes. Use suitable stud driver to install oversize stud to correct height.

HYDRAULIC VALVE LIFTER ASSEMBLY

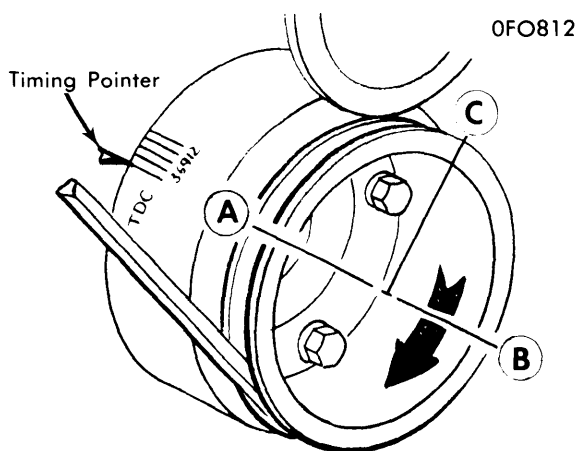
Lifters should be serviced as assemblies only, internal parts are matched sets and cannot be interchanged. Leak down rate on hydraulic lifters is 5-50 seconds at 1/16" plunger travel using suitable leak down rate tester. Replace lifter assembly if any sign of malfunction occurs.



HYDRAULIC LIFTER ASSEMBLY

HYDRAULIC VALVE LIFTER ADJUSTMENT

Positive stop rocker arm stud eliminates necessity of adjusting valve clearance, but to obtain specified valve clearance it is im-



With No. 1 at TDC at End of Compression Stroke Make Chalk Mark at Points B & C Approximately 90° Apart

CRANKSHAFT POSITIONS FOR ADJUSTING HYDRAULIC VALVE LIFTERS (302")

Ford Motor Co. V8 Engines

302" & 351-W" V8 ENGINES (Cont.)

portant that all valve components be in servicable condition, and installed and torqued properly. With crankshaft in positions designated in following procedure, back off stud nut approximately two turns. Turn stud nut clockwise until stop is contacted, tighten nut and proceed as follows:

302" Engine — 1) With No. 1 piston on TDC at end of compression stroke (position A in illustration), set valve clearance on following valves: No. 1 intake, No. 1 exhaust; No. 7 intake, No. 5 exhaust; No. 8 intake, No. 4 exhaust.

2) Rotate crankshaft to position B (as shown in illustration) by rotating crankshaft 180° clockwise from the TDC position. Set clearance on the following valves: No. 5 intake, No. 2 exhaust, No. 4 intake, No. 6 exhaust.

3) Rotate crankshaft to position C (as shown in illustration) by rotating crankshaft 270° clockwise from position B. Set clearance on the following valves: No. 2 intake, No. 7 exhaust, No. 3 intake, No. 3 exhaust, No. 6 intake, No. 8 exhaust.

351-W" Engine — 1) With No. 1 piston on TDC at end of compression stroke (position A in illustration), set valve clearance on following valves: No. 1 intake, No. 1 exhaust; No. 3 intake, No. 4 exhaust; No. 7 intake, No. 5 exhaust; No. 8 intake, No. 8 exhaust.

2) Rotate crankshaft 360° (one revolution), position No. 6 piston on TDC as before and check following valves: No. 2 intake, No. 2 exhaust; No. 4 intake, No. 3 exhaust; No. 5 intake, No. 6 exhaust; No. 6 intake, No. 7 exhaust.

PISTONS, PINS, RINGS						
Engine	PISTONS	PINS		RINGS		
	Clearance	Piston Fit	Rod Fit	Rings	End Gap	Side Clearance
302"	.0018-.0026"	.0002-.0004"	Press Fit	1	.010-.020"	.0020-.0040"
				2	.010-.020"	.0020-.0040"
				3	.015-.020"	Snug
351-W"	.0018-.0026"	.0003-.0005"	Press Fit	1	.010-.020"	.0020-.0040"
				2	.010-.020"	.0020-.0040"
				3	.015-.020"	Snug

OIL PAN

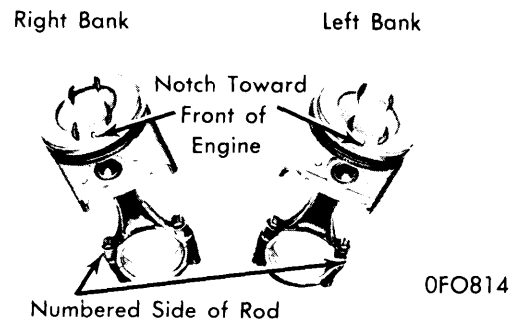
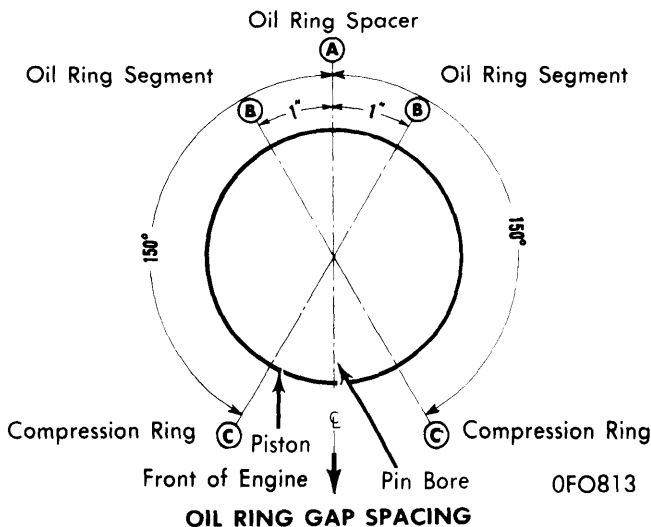
See *Oil Pan Removal* at end of ENGINE Section.

PISTON & ROD ASSEMBLY

Removal — 1) With cylinder head and oil pan removed, use suitable ridge cutter to remove any ridge or deposits on upper end of cylinder bore. **NOTE** — *Piston must be at bottom of stroke. Place shop towel or cloth lightly soaked in oil over piston dome to collect cuttings.*

Installation — 1) Lightly coat cylinder bore, piston and rings with engine oil. Ensure that ring gaps are properly spaced (see illustration) and install ring compressor on piston.

2) Install each piston and rod assembly (with notch on piston head facing front of engine) in respective bore, guide connecting rod onto crankshaft journal while tapping piston dome with suitable wooden handle to seat connecting rod against crankshaft. Install rod caps and tighten.



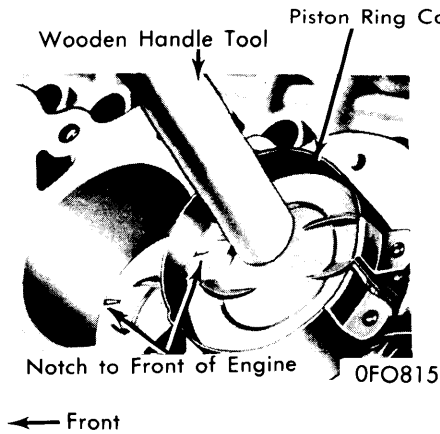
PISTON & ROD ASSEMBLY

2) Inspect connecting rods and caps for cylinder identification and mark as necessary. Remove rod cap and push piston and rod assembly out of top of cylinder taking care not to nick crankshaft journal or to score cylinder wall.

FITTING PISTONS

Calculate size of piston to be used by measuring cylinder bore at right angles to centerline of crankshaft below ring travel. Measure piston diameter in line with centerline of piston pin and at 90° to piston pin axis. Make sure both piston and cylinder block are at normal room temperature (70°F) when fitting.

302" & 351-W" V8 ENGINES (Cont.)

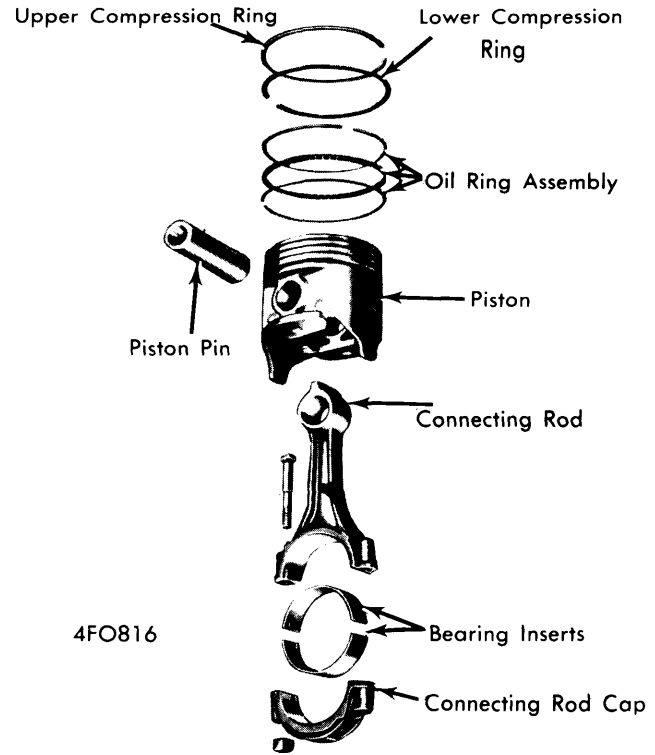


INSTALLING PISTON IN BLOCK

PISTON PINS

Removal — Using arbor press and suitable tools (T65L-6135-C or equivalent), press piston pin from piston and connecting rod.

Installation — Start piston pin in piston and connecting rod. Using arbor press and suitable tool (T65L-6135-C or equivalent), press piston pin through piston into connecting rod until pin is centered in connecting rod.



PISTON, CONNECTING ROD & RELATED PARTS

CRANKSHAFT MAIN & CONNECTING ROD BEARINGS							
Engine	MAIN BEARINGS				CONNECTING ROD BEARINGS		
	Journal Diam.	Clearance	Thrust Bearing	Crankshaft End Play	Journal Diam.	Clearance	Side Play
302"	2.2482-2.2490"	.0008-.0015"	No. 3	.004-.008"	2.1228-2.1236"	.0008-.0015"	.006-.020"
351-W"	2.9994-3.0002"	.0008-.0015"	No. 3	.004-.008"	2.3103-2.3111"	.0008-.0015"	.006-.020"

MAIN & CONNECTING ROD BEARINGS

Removal — Remove oil pan and related parts following procedure outlined in Oil Pan Removal. Proceed as follows:

1) To change connecting rod bearings, remove and inspect connecting rod caps for cylinder identification to ensure correct position for replacement. With crankshaft lined up in center of cylinder bore, push piston upward into block enough to allow removal of upper half of bearing.

2) Mark main bearing caps for identification purposes before removal from block. Remove upper half of main bearing by inserting suitable tool (6331-B or equivalent) in oil hole of crankshaft and slowly rotate crankshaft in direction of engine rotation to force out upper half of main bearing. **NOTE** — Replace only one bearing at a time leaving other bearings secured until ready to change.

Installation — Thoroughly clean all parts and bearing surfaces and proceed as follows:

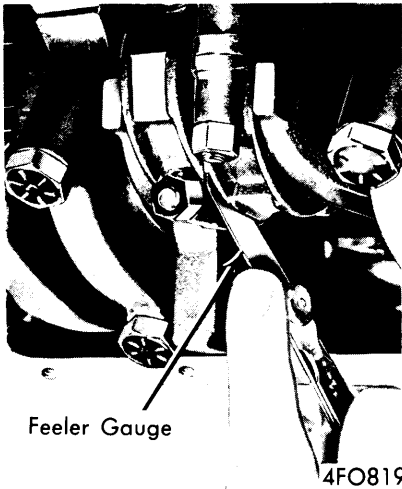
1) Determine crankshaft bearing journal clearance using Plastigage method. When checking main bearings, place a jack under counterweight adjoining bearing being gauged to avoid weight of crankshaft compressing Plastigage and giving erroneous readings.

2) If bearing clearance is excessive, a .001" or .002" undersize bearing half may be used in combination with a standard size bearing half. If .002" undersize bearings are used on more than one journal, they may be positioned in engine block rather than bearing cap. If standard and .002" undersize combination did not bring bearing clearance within specified limits, crankshaft will have to be refinished and suitable undersized bearings installed.

302" & 351-W" V8 ENGINES (Cont.)

3) After rod bearings have been fitted using Plastigage method, apply light coat of engine oil to journals and bearings. With crankshaft throw to bottom of stroke and upper half of bearing installed, move piston down until connecting rod bearing seats on crank journal. Install connecting rod cap and tighten. Check connecting rod side clearance.

4) To install upper main bearing, lubricate bearing with engine oil and place plain end of bearing over crankshaft on locking tang side of block. Partially insert bearing to allow suitable tool (6331-E or equivalent) to be inserted into oil hole in crankshaft journal. Rotate crankshaft in opposite direction of engine rotation until bearing tang is seated. Remove bearing tool, install bearing cap and tighten.



Feeler Gauge

4FO819

MEASURING CONNECTING ROD SIDE CLEARANCE

THRUST BEARING ALIGNMENT

Install thrust bearing cap after all other main caps have been tightened. Install thrust bearing cap with bolts finger tight. Pry crankshaft forward against thrust surface of upper half of bearing. Hold crankshaft forward and pry thrust bearing cap to rear, this will align thrust surfaces of both halves of bearing. Retain forward pressure on crankshaft and torque cap bolts to specifications.

REAR MAIN BEARING OIL SEAL

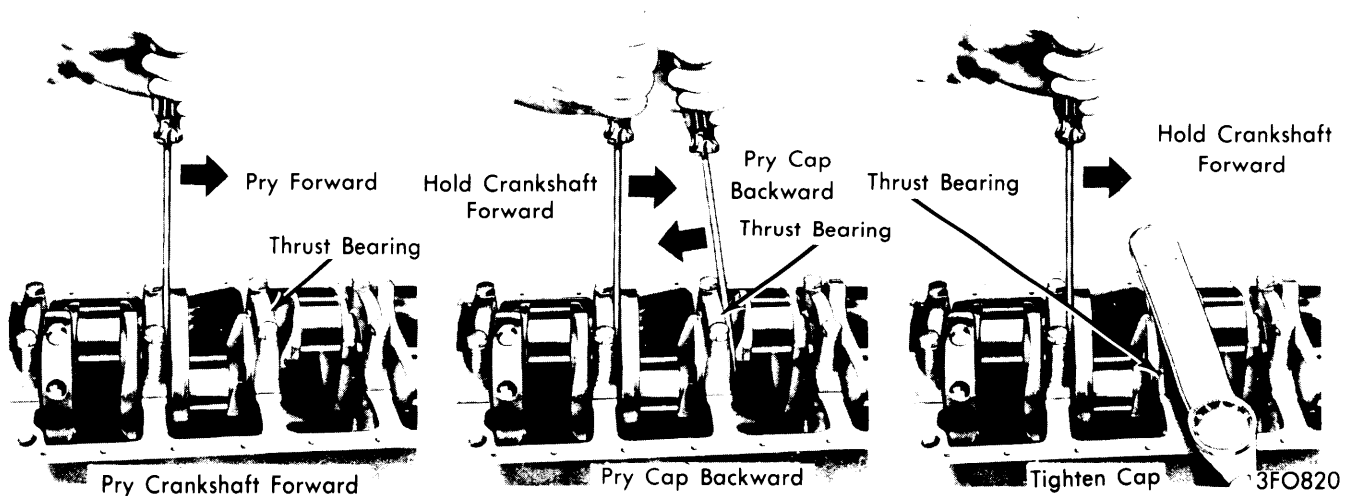
Removal – 1) Complete seal can be replaced without removing crankshaft. Remove oil pan and oil pump (if required), loosen all main bearing cap bolts to lower crankshaft slightly, but not to exceed $\frac{1}{32}$ ".

2) Remove rear main bearing cap and remove oil seal from bearing cap and block. On block half of seal, use seal removing tool or place small metal screw in one end of seal and pull on screw to remove seal. Prevent scratching or damage to crankshaft seal surface.

3) Remove oil seal retaining pin from bearing cap if so equipped, as replacement seal does not use pin. Discard pin.

Installation – 1) Clean oil seal groove, dip split-lip type seal halves in engine oil. Carefully install block upper seal into groove with undercut side of seal toward front of engine by rotating seal on journal of crankshaft until approximately $\frac{3}{8}$ " of seal protrudes below parting surface. **CAUTION** – Avoid shaving any rubber from outside diameter of seal by bottom edge of groove. Do not allow any oil to get into sealing area.

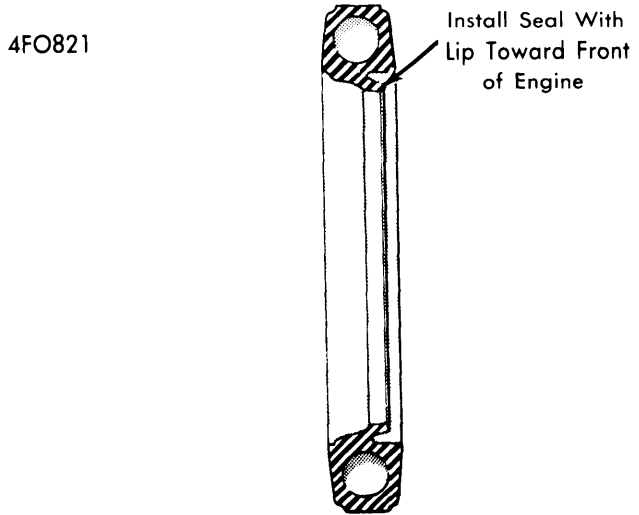
2) Tighten remaining bearing cap bolts to torque specifications. Install lower seal in rear main bearing cap with undercut side of seal toward front of engine, allowing seal to protrude approximately $\frac{3}{8}$ " above parting surface to mate with upper seal when cap is installed.



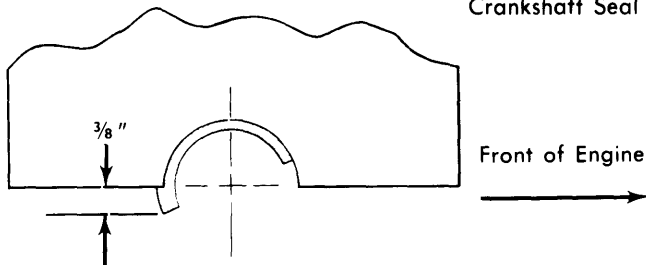
ALIGNING THRUST BEARING

302" & 351-W" V8 ENGINES (Cont.)

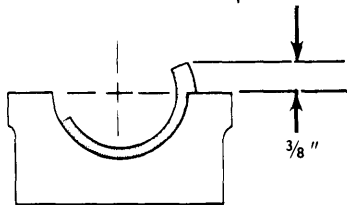
3) Apply suitable oil-resistant sealer to bearing edges and install rear main bearing cap. Torque cap bolts to specifications and reinstall oil pump, oil pan, and all other related parts.



View Looking at Parting Face of Split-Lip Type Crankshaft Seal



Seal Halves to Protrude Beyond Parting Faces This Distance to Allow For Cap-to-Block Alignment



Rear Face of Rear Main Bearing Cap and Cylinder Block

INSTALLING CRANKSHAFT REAR OIL SEAL (302" SHOWN)

ENGINE FRONT COVER

Removal — Drain cooling system and crankcase. Remove fan, spacer and all hoses or brackets attaching to water pump. Remove crankshaft pulley and use suitable puller to remove vibration damper. Disconnect fuel pump outlet line from fuel pump, remove fuel pump bolts and move pump to one side. Remove front cover bolts and cut oil pan gasket flush with cylinder block. Remove front cover and water pump as an assembly.

Installation — Clean all gasket surfaces. Use suitable sealer and install gaskets and seals. Use suitable tool to center front cover on crankshaft, install bolts and tighten. Install all related parts.

FRONT COVER OIL SEAL

Removal — Remove front cover following procedure given in Front Cover Removal. Using suitable pin punch, drive out old seal taking care not to damage seal surface.

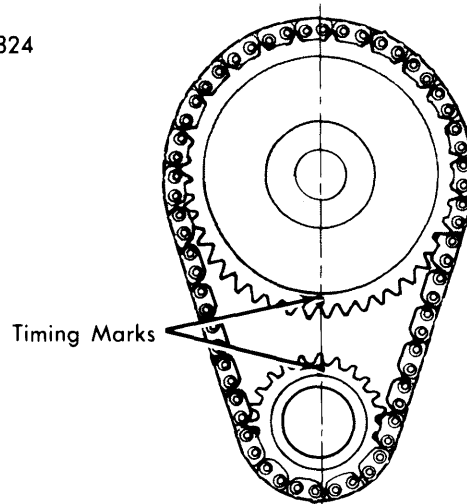
Installation — Coat seal with grease and drive into front cover using suitable tool (T58P-6700-B or equivalent). Check seal to make sure that edges are fully seated and spring is properly positioned in seal. Reassemble in reverse order of removal.

CAMSHAFT			
Engine	Journal Diam.	Clearance	Lobe Lift
302"	No. 1	2.0805-2.0815"	.001-.003"
	No. 2	2.0655-2.0665"	
	No. 3	2.0505-2.0515"	
	No. 4	2.0355-2.0365"	
	No. 5	2.0205-2.0215"	
351-W"	No. 1	2.0805-2.0815"	.001-.003"
	No. 2	2.0655-2.0665"	
	No. 3	2.0505-2.0515"	
	No. 4	2.0355-1.0365"	
	No. 5	2.0205-2.0215"	

TIMING CHAIN

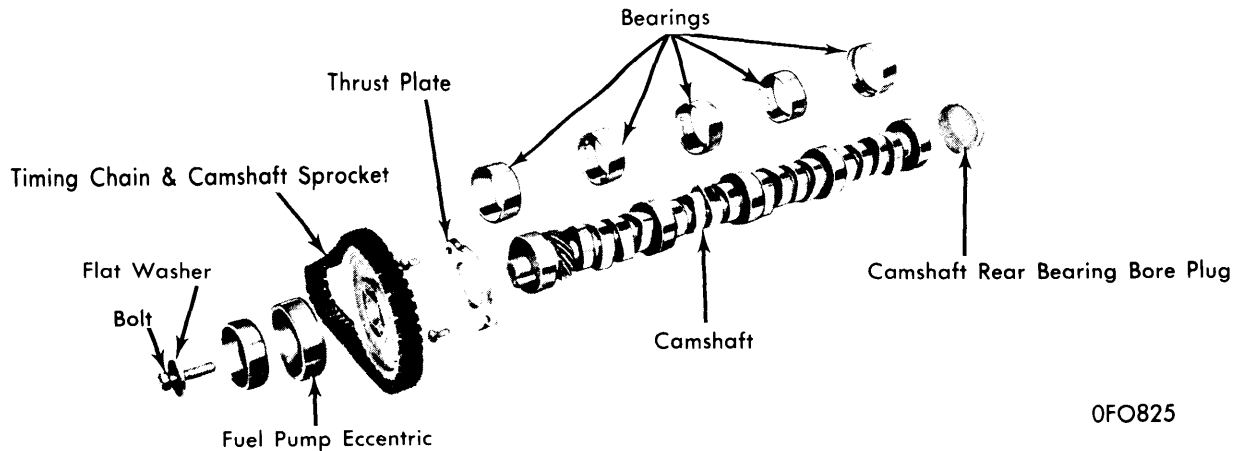
Removal & Installation — Crank engine until timing marks are positioned properly (see illustration). Remove camshaft sprocket cap screw, washers and fuel pump eccentric. Slide both sprockets and timing chain forward off key ways and remove as an assembly. To install, position timing chain on sprockets with timing marks aligned (see illustration). Slide timing chain and sprockets onto crankshaft and camshaft as an assembly. Install fuel pump eccentric, washers and sprocket cap screw. Tighten bolt and oil timing chain.

3FO824



ALIGNING TIMING MARKS

302" & 351-W" V8 ENGINES (Cont.)



0FO825

CAMSHAFT AND RELATED PARTS

CAMSHAFT

Removal & Installation — Drain cooling system, remove radiator, engine front cover and related parts, and timing chain. Remove intake manifold and related parts. Remove valve covers and loosen rocker arms. Remove push rods and valve lifters in sequential order so as to return to original location. Remove thrust plate and carefully pull camshaft out through front of engine. **CAUTION** — Do not scar or mark camshaft lobes or bearing journals while removing camshaft. Oil camshaft journals with engine oil and apply Lubriplate or equivalent to camshaft lobes. Carefully slide camshaft through cam bearings and install camshaft thrust plate. Reassemble engine in reverse of removal procedure.

CAMSHAFT BEARINGS

Removal & Installation — **NOTE** — Camshaft bearings are not interchangeable from one bore to another. Remove camshaft, flywheel, and crankshaft. Push pistons to top of cylinders. Remove camshaft rear bearing bore plug and remove camshaft bearings. Using suitable cam bearing installing tool, fit cam bearings into block assembly. Make sure oil holes are properly aligned in each journal. Be sure front bearing is installed to specific distance below front face of cylinder block, distance specified is .005-.020".

CAMSHAFT END THRUST

Rocker arm stud nuts or bolts must be loosened sufficiently to free load on camshaft. Push camshaft toward rear of engine and install dial indicator so that point of indicator is on camshaft sprocket attaching bolt. Zero dial indicator. Position screwdriver between camshaft sprocket or gear and front of block. Pull camshaft forward and release, if end play is excessive, replace thrust plate. **CAUTION** — Do not attempt to pry camshaft back and forth in block with valve train load on camshaft.

CAM LOBE LIFT

Check lift of each camshaft lobe in consecutive order as follows:

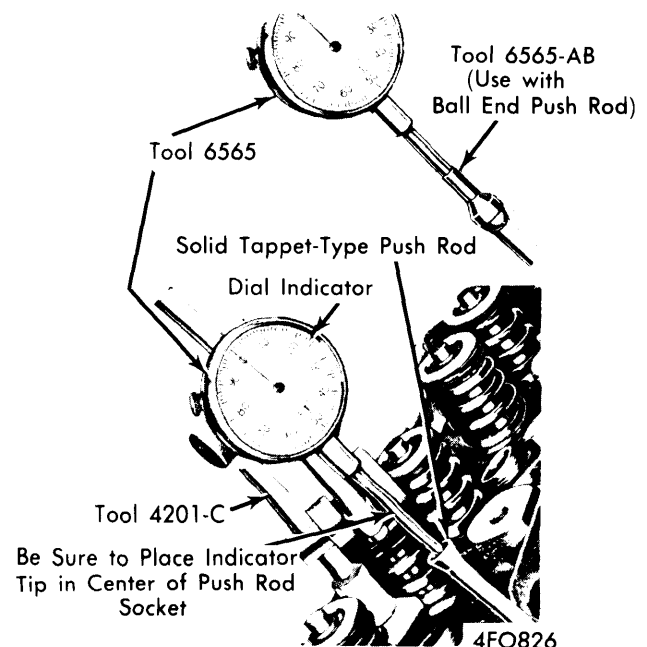
1) Remove all rocker arms. Make sure each push rod is in valve lifter socket. Install dial indicator allowing ball socket

adapter of dial indicator to rest on end of push rod in same plane as push rod movement.

2) Using remote starter switch (with ignition switch in "OFF" position), turn engine until valve lifter being checked is on base circle of camshaft lobe indicating lowest point of push rod travel.

3) Zero dial indicator and continue to rotate engine until push rod is in fully raised position giving highest indicator reading. Continue same procedure for each camshaft lobe. Compare camshaft lift from dial indicator readings with specifications.

4) To check accuracy of dial indicator readings, continue to rotate engine until dial indicator reads zero. If lift on any camshaft lobe is .005" less than specifications, valve lifters are operating on worn camshaft lobes, indicating need for camshaft replacement.



4FO826

CHECKING CAMSHAFT LOBE LIFT

302" & 351-W" V8 ENGINES (Cont.)

ENGINE OILING

Crankcase Capacity — 302" & 351-W" engines require five quarts of oil. All engines require one extra quart of oil with filter change.

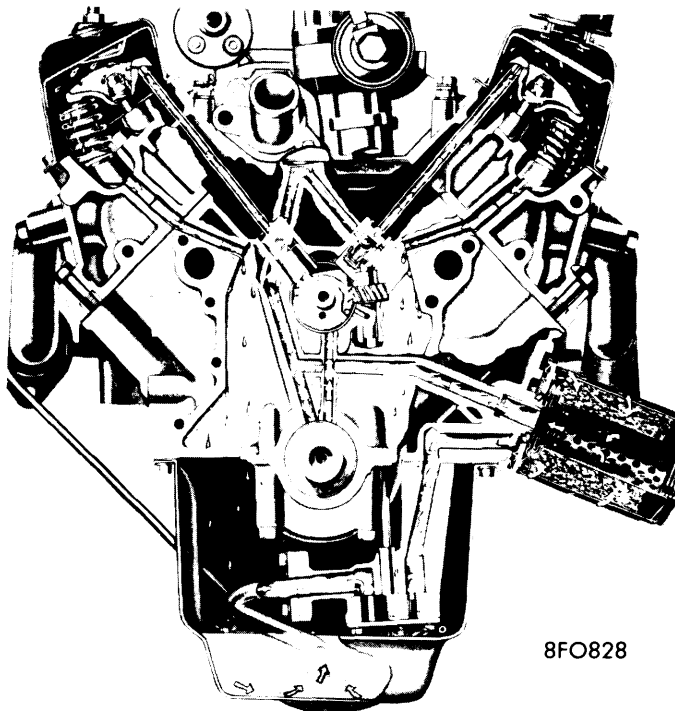
Oil Filter — Replace at first oil change and every second oil change following.

Normal Oil Pressure — 302" engines have 40-60 psi at 2000 RPM, 351-W" engines have 40-65 psi at 2000 RPM.

Pressure Regulator Valve — Housed in oil pump body on all engines. Not adjustable.

ENGINE OILING SYSTEM

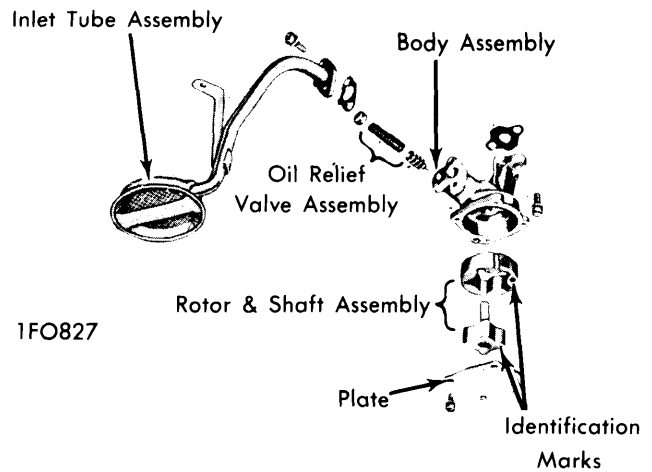
System is pressure feed from rotor type oil pump in left forward section of engine. Oil flows through full flow oil filter before entering main oil gallery on right side of camshaft. Oil from main gallery enters main bearings through drilled passages in block, passes through main bearings up to camshaft bearings. Oil moves through secondary drilled passages from main bearings to lifter galleries, push rods pick oil up from lifters and through rotation of push rod moves oil up to top of head assembly to rocker arms. Oil is returned through drain holes in head assemblies back down into crankcase.



LUBRICATION SYSTEM (TYPICAL 302" SHOWN)

OIL PUMP

Removal & Disassembly — Remove oil pan, attaching bolts and oil pump from engine. Remove oil inlet tube, cover attaching screws, and cover. Remove inner rotor and shaft assembly, remove outer race. Drill small hole into oil pressure relief spring valve chamber cap. Insert self-threading sheet metal screw into cap and pull from chamber, remove the spring and plunger.



OIL PUMP (DISASSEMBLED)

Inspection & Reassembly — Clean, inspect, and oil all parts thoroughly. Install outer race and inner rotor and shaft assembly (see specifications for clearances). **NOTE** — Identification mark (dimple) on outer race must face outward and to same side as identification mark on rotor. Rotor and shaft assembly, and outer race are serviced as an assembly and one part cannot be replaced without replacing other part. Install cover and tighten cover bolts. Position oil inlet tube on oil pump, install new gasket and tighten attaching bolts. Prime oil pump by submerging inlet port in oil and rotating shaft until oil flows from outer port.

Oil Pump Specifications

Relief Valve Spring Tension	
302"	10.6-12.2 lbs. @ 1.704"
351-W"	18.2-20.2 @ 2.49"
Shaft-to-Housing Clearance0015-.0029"
Relief Valve Clearance0015-.0029"
Rotor Assembly End Clearance001-.004"
Outer Race-to-Housing Clearance001-.013"

TIGHTENING SPECIFICATIONS (FT. LBS.)

Application	302"	351-W"
Cylinder Head ^①	65-70	105-112
Oil Pan ^②	8-11	9-11
Intake Manifold	23-25	23-25
Exhaust Manifold	18-24	18-24
Flywheel-to-Crankshaft	75-85	75-85
Main Bearing Caps	60-70	105
Connecting Rod Caps	19-24	40-45
Pulley-to-Damper	35-50	35-50
Rocker Arm Stud Nut	17-23	17-23
Engine Front Cover		
Camshaft Sprocket	40-45	40-45
Oil Pump Cover		
Rocker Arm Cover Bolts	3-5	3-5
Damper-to-Crankshaft	70-90	100-130

① — Three step procedure, see Cylinder Head Installation.

② — 1/4 x 20 bolts require 7-9 ft. lbs.