

OPEN STEERING KNUCKLES

Chrysler Corp.
 Ford Motor Co.
 General Motors
 International Harvester
 Jeep

DESCRIPTION

Front axle on all four-wheel drive vehicles is a live axle unit with hypoid driving gears and steering knuckles. Drive is full floating through axle shafts which revolve in steering knuckles. Open knuckle is distinguished by use of ball joints instead of tapered bearings, and exposed axle shaft universal joints.

LUBRICATION

Repack wheel bearings every 24,000 miles. Refill universal joint cups at overhaul only.

OVERHAUL

DISASSEMBLY

1) Remove wheel, brake drum (disc brake assembly) and wheel hub. See *Locking Hubs in this Section*. Remove spindle, then slide axle shaft out through steering knuckle.

2) Disconnect steering rods from knuckles and remove lower ball stud nut from inside knuckle. Remove cotter pin from upper ball stud nut and loosen nut until top edge of nut is flush with top edge of ball stud. Unseat upper and lower studs from axle housing yokes, remove upper nut and remove knuckle assembly.

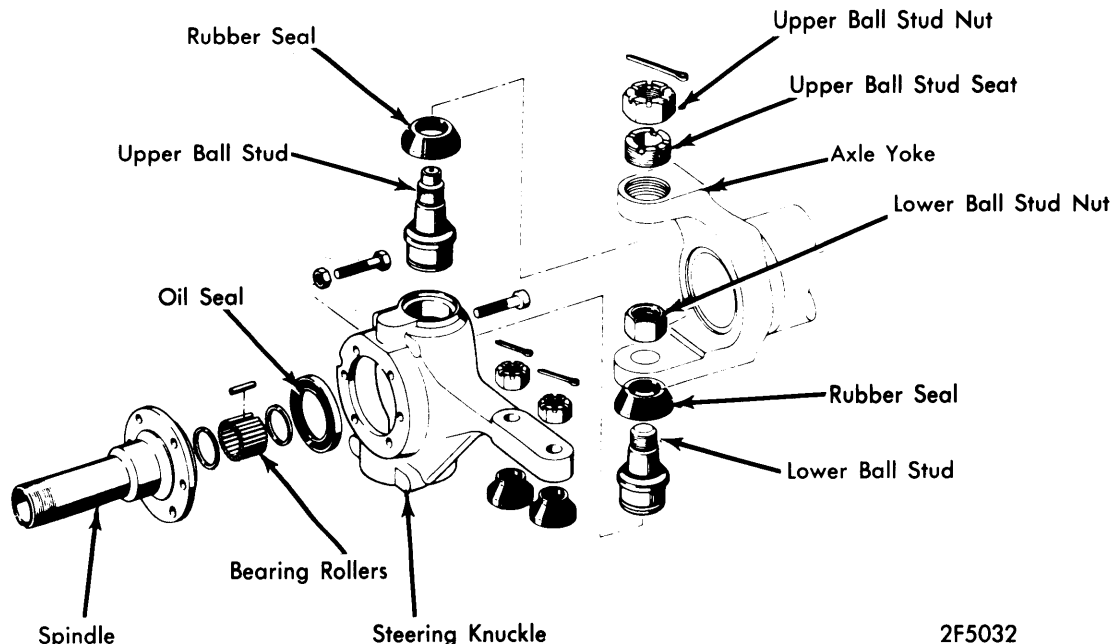
3) Remove bearings and seals from hub and spindle as necessary. Inspect all machined parts for wear or damage. Check ball studs for excessive play. Replace defective parts as necessary.

REASSEMBLY

1) Install new ball studs in steering knuckle and position knuckle on axle housing yoke. Install ball stud nuts and tighten. Install cotter pin in upper ball stud. *NOTE — If cotter pin holes are not aligned, tighten nut to align. DO NOT loosen nut to align holes.*

2) Install axle shafts, spindle and bearing assemblies, and steering rods. Install brake assemblies and wheel hubs. Adjust wheel bearings, tighten all nuts and install wheels.

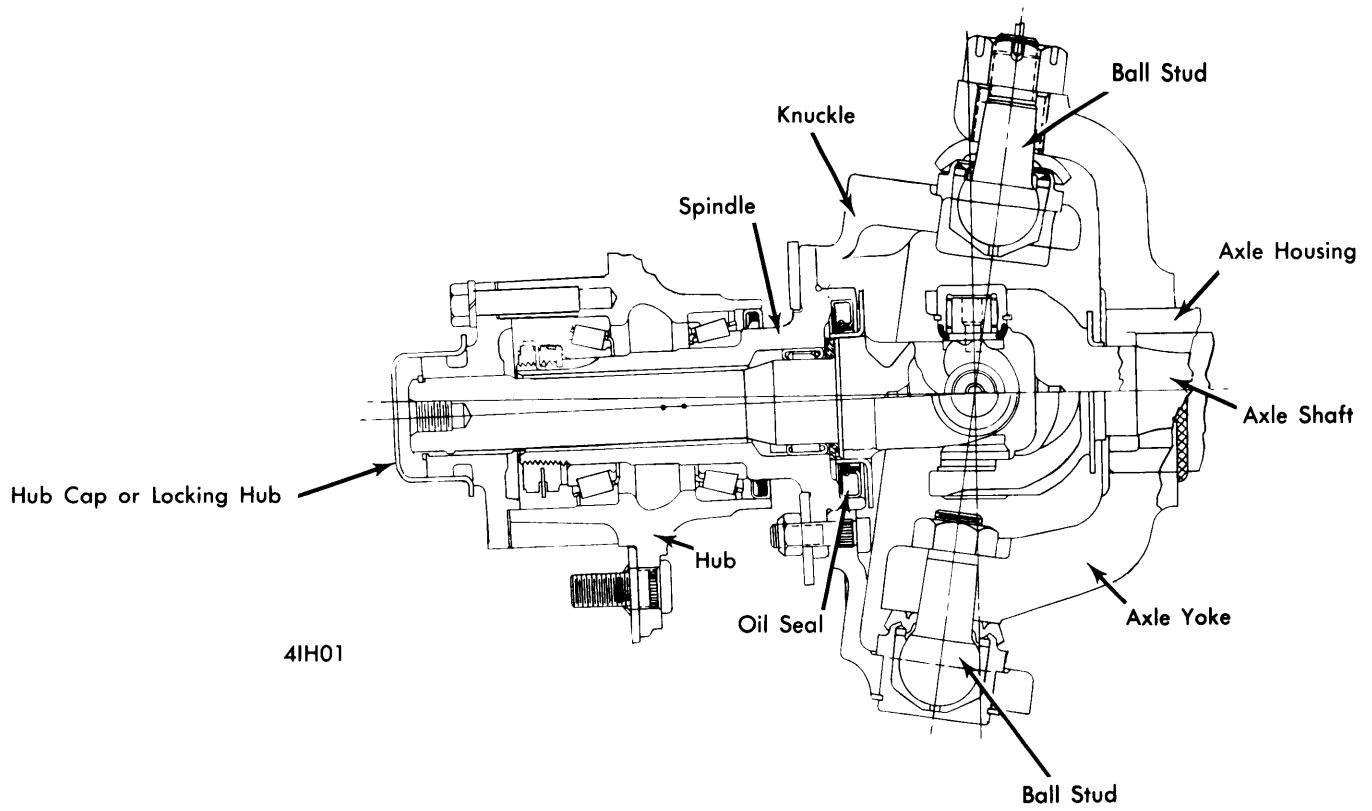
NOTE — On 1971-74 Chevrolet and GMC vehicles, steering stops must be set when installing new knuckles. With new stop bolt and nut installed in new knuckle, turn wheels until wheel with new knuckle is turned out 35°. Back out steering stop until it contacts axle housing yoke and tack-weld bolt and nut in position.



OPEN TYPE STEERING KNUCKLE

4-Wheel Drive Steering Knuckles

OPEN STEERING KNUCKLES (Cont.)



OPEN STEERING KNUCKLE CROSS-SECTION