

MAZDA GLC

DESCRIPTION

Clutch is a dry, single disc, diaphragm type, and cable actuated. A prelubricated clutch release bearing is used and is located in the transmission housing.

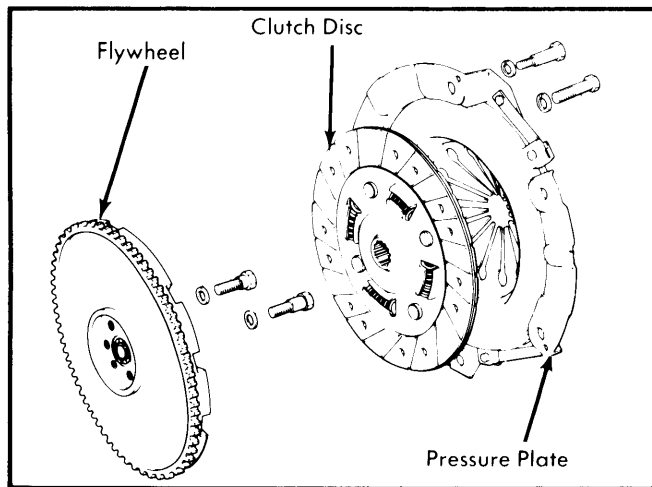


Fig. 1 Exploded View of Clutch Assembly

REMOVAL & INSTALLATION

CLUTCH ASSEMBLY

Removal — 1) Disconnect battery ground cable. Place gear shift lever in neutral; remove lever and hardware. Raise and support vehicle; drain transmission. Disconnect and remove propeller shaft. Disconnect speedometer cable, back-up light switch and exhaust pipe hanger on clutch housing.

2) Remove exhaust pipe support bracket from clutch housing and disconnect clutch cable from release lever. Remove clutch housing splash guard. Remove starter. Disconnect exhaust pipe hanger from extension housing. Place jack under rear of engine, protecting oil pan with a block of wood.

3) Disconnect transmission support member. Remove engine-to-transmission attaching bolts and carefully slide transmission back until it can be lowered from the vehicle. Install flywheel holding tool and loosen pressure plate mounting bolts evenly until assembly can be removed. Separate clutch disc and pressure plate.

Installation — To Install, reverse removal procedures and note: Lightly coat input shaft splines with grease and use clutch alignment tool to center clutch assembly. Clutch cover and flywheel "O" alignment marks must be aligned at installation.

CLUTCH RELEASE BEARING & FORK

Removal & Installation — With transmission removed, loosen and remove bolt attaching release shaft to transmission. Slide bearing off bearing cover. Remove shaft from clutch housing. To install, coat all contact surfaces with grease and reverse removal procedures.

NOTE — Bearing is prelubricated and should not be washed in any solvent or cleaning solution.

CLUTCH CABLE

Removal & Installation — Loosen cable lock nut and adjustment nut. Pull cable toward clutch pedal and disconnect from pedal. Push cable through stop ring into engine compartment and disconnect cable at clutch lever. Remove retainer ring at bracket, separate cable housing at bracket and remove cable. See Fig. 2. To install, reverse removal procedure.

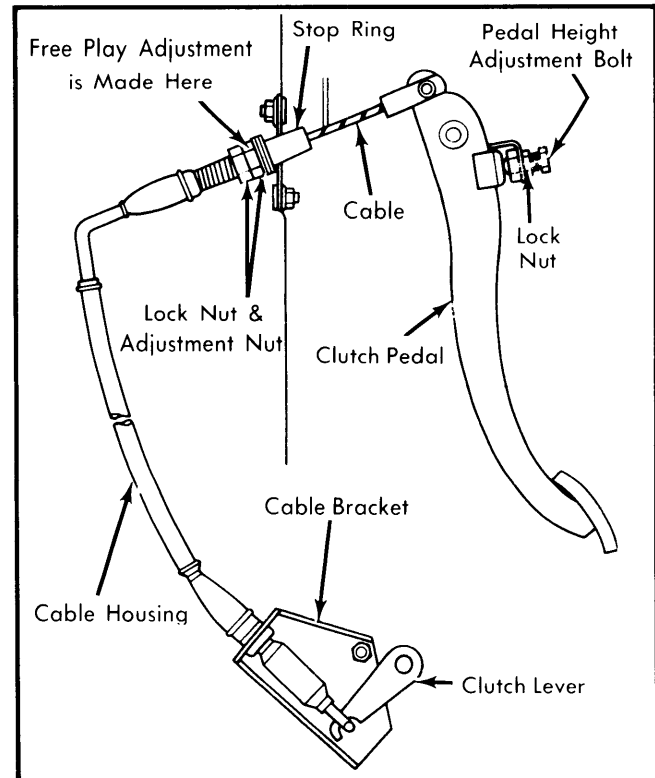


Fig. 2 Installed View of Clutch Cable with Detail of Items to Disconnect for Cable Removal. Illustration Also Shows Pedal Height Location.

PILOT BEARING

Removal & Installation — Pilot bearing is pressed into flywheel. Remove by using suitable puller. To install, lubricate bearing and install using suitable driver.

ADJUSTMENTS

CLUTCH PEDAL HEIGHT & FREE PLAY

Pedal Height — Adjust pedal height to 7.5-7.7" (190-195 mm) by loosening lock nut and rotating adjusting bolt until correct height is obtained. Tighten lock nut. See Fig. 2.

Free Play — Clutch pedal free play should be .39-.59" (10-15 mm) and is adjusted by setting release cable clearance at engine compartment side of firewall. Loosen lock nut, pull outer cable and turn adjusting nut until clearance is .06-.09" (1.5-2.3 mm). Tighten lock nut and check pedal free play. See Fig. 2.

TIGHTENING SPECIFICATIONS

| Application | Ft. Lbs. (mkg) |
|---|-----------------|
| Flywheel-to-Crankshaft | 60-65 (8.3-8.9) |
| Pressure Plate Assembly-to-Flywheel | 13-20 (1.8-2.7) |