

BRAVA & SPIDER 2000 4 CYLINDER

ENGINE CODING

ENGINE IDENTIFICATION

Engine identification number is stamped in pad above oil filter mount on left side of engine.

Engine Identification			
Application	Code		Fuel Injected
	Carbureted		
1995 cc	132 C3.040	132 C3.031	

ENGINE & CYLINDER HEAD

ENGINE

Removal — 1) Remove hood and air cleaner. Loosen fuel tank cap to relieve pressure. Disconnect battery. Mark for identification and disconnect vacuum and fuel lines and electrical leads. Disconnect accelerator and remove linkage.

NOTE — On A/C equipped cars, it will be necessary to discharge system and remove condenser and fan assembly prior to removal of engine. When installing, system will require evacuation and charging.

2) Drain cooling system and disconnect hoses. Disconnect automatic transmission cooling lines (if equipped). Remove radiator and cooling fan assembly.

3) Disconnect remaining hoses and wires from chassis-to-engine at engine. Disconnect exhaust pipe at manifold. Remove automatic transmission dipstick from support bracket (if so equipped).

4) From underneath vehicle, remove oil filter, engine splash pans and any remaining electrical connections. Remove starter by passing through oil filter opening. (On A/C equipped vehicles, pull starter from mounted position and tie to engine until engine is removed.) Remove speedometer cable support bracket from engine mount.

5) On carbureted models, remove fuel inlet line from fuel pump. On all models, remove nuts and washers holding engine mount isolators to crossmembers. Remove ground strap to engine mount. Install transmission support and remove bolts securing transmission to engine. On automatic transmission models, remove bolts attaching flywheel to torque converter.

6) Attach engine sling and hoist engine until mount clears cross members. Move engine forward until clear and lift from engine compartment.

Installation — To install, reverse removal procedure. Ensure that pilot shaft engages clutch properly (manual transmission).

CYLINDER HEAD

Removal — 1) Drain cooling system. Remove air cleaner and heated air tube. Disconnect battery ground cable. Loosen and remove top radiator hose from thermostat housing. Remove union with hoses from attachment point at cylinder head. Remove timing belt cover.

2) Manually turn crankshaft so that holes in camshaft sprocket align with timing pointers. Block flywheel to prevent further turning and remove crankshaft pulley. Remove lower timing cover and take off oil dipstick tube. Loosen belt tensioner and remove timing belt.

NOTE — Mark belt as "NOT USABLE". A new belt must be installed any time tension is removed from timing belt. See Timing Belt Replacement.

3) Remove rear timing belt covers. From left side of engine, mark for identification and remove all fuel, vacuum, air and water hoses. Disconnect accelerator and remove linkage. At engine right side, remove coil wires from distributor and white lead wire from electronic control module.

4) Mark for identification and remove all remaining wires, hoses and tubes. Disconnect exhaust pipe from manifold and automatic transmission fluid dipstick (if equipped) from support bracket. Remove cylinder head bolts and lift off head assembly with gasket.

Installation — 1) Position camshafts so that reference marks on sprockets are aligned with fixed pointers on front of head. Ensure that crankshaft is positioned so that No. 1 and No. 4 pistons are at TDC. Install guide stud at front and rear of block.

2) Place new head gasket in position and guide head over studs, ensuring that camshafts are NOT moved from reference position. Install a few head bolts finger tight, then remove guide studs. Install remaining bolts and tighten in sequence shown to 29 ft. lbs. (4 mkg), then to final torque of 61 ft. lbs. (7.5 mkg). To complete installation, reverse removal procedure.

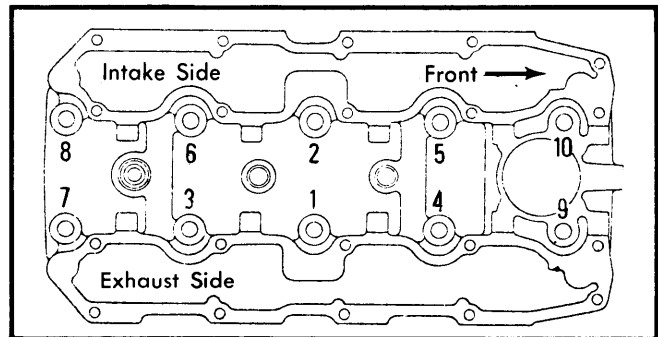


Fig. 1 Cylinder Head Tightening Sequence

CAMSHAFTS

CAMSHAFTS

Removal — 1) With cylinder head removed from engine, remove distributor and manifolds. Install pulley holder (A.60446) at front of cam housing and remove bolt, washer and pulley from camshaft.

2) Remove attaching bolts and lift off cam housing with camshaft. Remove cap from rear of housing and pull out camshaft. Repeat for other camshaft.

Installation — To install, reverse removal procedure, noting that distributor drive gear is on exhaust camshaft.

AUXILIARY SHAFT

Auxiliary shaft is driven by timing belt and drives oil pump and fuel pump. With engine out of vehicle and front crankshaft pulley removed, take off auxiliary drive pulley. Remove aux-

BRAVA & SPIDER 2000 4 CYLINDER (Cont.)

iliary shaft cover and gasket. Remove spacer and gasket. Rotate auxiliary shaft to raise oil pump gear and lift gear out with long nose pliers. Remove bolts holding retainer at front of block and pull out shaft along with retainer. To install, reverse removal procedure.

TIMING BELT REPLACEMENT

NOTE — Timing belts must not be reused once tension is relieved. Crankshaft and/or camshafts must not be turned with belt removed due to resultant valve and/or piston damage.

Removal — 1) Disconnect battery ground cable and drain cooling system. Remove spark plugs and set engine to fire (TDC) on No. 4 cylinder. Crankshaft and camshaft timing marks must be aligned with indicators. Remove upper radiator hose from "T" union, then unbolt and remove union from cylinder head.

2) Remove hot air hose from exhaust manifold to air intake. Remove all drive belts from crankshaft pulley. Remove water pump pulley bolts and take off pulley. Remove outer timing belt cover.

3) Lock crankshaft to prevent turning and remove crankshaft pulley. Remove lower timing cover. Loosen belt tensioner and lock in belt-slack position. Remove and discard timing belt.

Installation — Turn auxiliary sprocket to align hole in sprocket with sprocket bolt and spring retaining bolt. Install belt and adjust tensioner, then turn crankshaft 2 full turns and recheck tension and timing. To complete installation, reverse removal procedures.

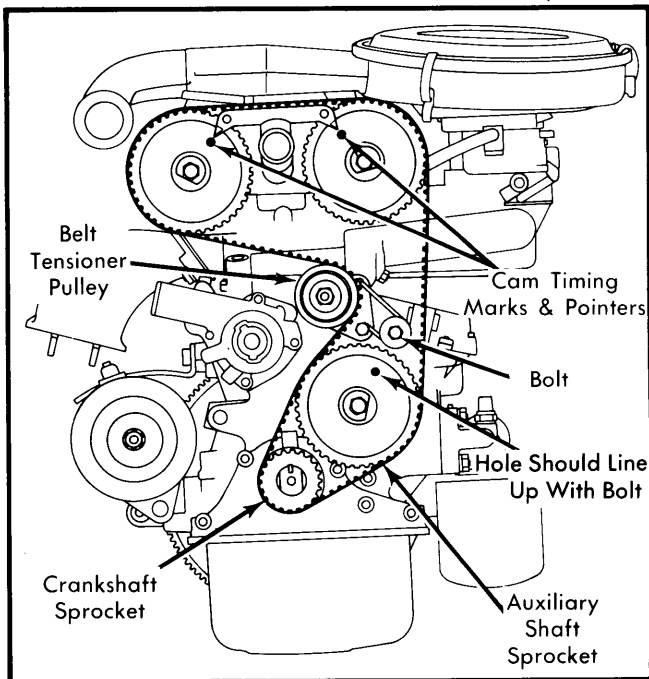


Fig. 2 Sprocket Alignment for Timing Belt Installation

VALVES

VALVE ARRANGEMENT

Left Side — All Intake
Right Side — All Exhaust

VALVE GUIDE SERVICING

1) Measure clearance of valve stem in guide with a dial indicator. If clearance exceeds specifications, valve guide must be replaced.

2) With driver (A.60153/60395), remove defective guides from head, driving from combustion chamber side. Press new guide in place from camshaft side with drift (A.60462). Guides are prefinished to size, however minor faults caused during replacement may be hand reamed if necessary.

VALVE SPRINGS

Removal & Installation — With cylinder head removed, remove camshaft carriers and camshafts. Compress valve spring with a suitable compressor and remove keepers. Release spring compressor and remove upper spring retainer, inner and outer springs and lower spring retainer. To install, reverse removal procedure.

VALVE CLEARANCE ADJUSTMENT

1) Valve clearance is checked and/or adjusted with engine cold. Remove camshaft covers from head and rotate crankshaft until camshaft lobe of valve being checked is pointing up and at right angle to valve. Using a feeler gauge, check clearance between camshaft lobe and valve tappet plate.

Valve Clearance Specifications		
Application	Intake Valve In. (mm)	Exhaust Valve In. (mm)
All Models016-.019 (41-48)...	.018-.021 (46-53)

2) Tappet plates are available in service thicknesses of .128" (3.25 mm) and increments of .004" (.10 mm) from .130" to .185" (3.30 mm to 4.70 mm). To replace tappet plate, rotate camshaft down to depress tappet. Install clamping tool (A.60594) over cam lobe of valve being adjusted.

3) Rotate crankshaft/camshaft and remove tappet plate by means of a scribe through notch in tappet. As an alternate method, tappet may be pried down using tool (A 60443) and tappet plate removed with a scribe. Insert proper thickness tappet plate and remove tool.

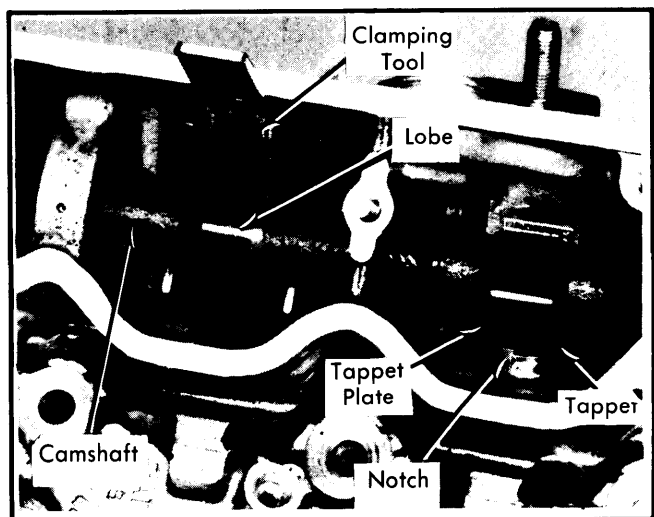


Fig. 3 Checking and Adjusting Valve Clearance

BRAVA & SPIDER 2000 4 CYLINDER (Cont.)

PISTONS, PINS & RINGS

OIL PAN

Removal — 1) Drain crankcase. Remove engine splash shields. Remove nuts from engine mounts at crossrails. Raise engine about 6" (152 mm).

2) Remove flywheel cover and oil pan bolts. Strike pan firmly with rubber mallet to free from block assembly.

Installation — To install, clean all mating surfaces and install gasket with sealer applied to BOTH sides. Reverse removal procedure and tighten bolts evenly.

PISTON & ROD ASSEMBLY

Lubricate cylinder bores, wrist pins and bearing journals with light engine oil. Ensure that piston ring gaps are staggered approximately 120° apart and that pistons and rings are coated lightly with engine oil. Use suitable compressor and install assembly so that numbers on connecting rod and cap are facing away from auxiliary shaft.

FITTING PISTONS

1) Standard pistons are manufactured in 3 size classes, and cylinder bores are machined according to piston class. Class of piston and bore is designated by a letter code.

2) Class code of piston is stamped on bottom of piston pin boss. Class of cylinder bore is stamped next to appropriate cylinder on oil pan flange at bottom of cylinder block.

3) Measure Piston size at right angles to piston pin and 1.181" (30 mm) from piston skirt. If piston is replaced for any reason, one of the same class must be installed.

NOTE — Refer to class designation letter on bottom of piston pin boss and mating surface of crankcase. See Fig. 4 and 5.

Std. Piston Class Designation & Size

Class	In. (mm)
A.....	3.3051-3.3055 (83.95-83.96)
C.....	3.3059-3.3063 (83.97-83.98)
E.....	3.3066-3.3070 (83.99-84.00)

4) Measure cylinder bore lengthwise and crosswise near top, center and bottom of bore. Check piston fit in bore at right angles to pin 1.876" (47.65 mm) below piston head using a feeler gauge. If clearance exceeds .0059" (.15 mm), cylinders must be rebored and oversized pistons installed.

Oversize Pistons

Application	Amt. of Oversize In. (mm)
1st Oversize0079 (0.2)
2nd Oversize0157 (0.4)
3rd Oversize0236 (0.6)

NOTE — If replacement pistons are used, ensure that the 4 pistons are the same weight within ±.18 oz. (±5 g).

5) Check ring side clearance in piston grooves prior to installation on piston. Push rings squarely into cylinder bores and check ring gaps with feeler gauge. Install rings on pistons with gaps 120° apart.

PISTON PIN REPLACEMENT

1) Remove circlips from piston and push piston pin out of piston and connecting rod. Separate piston from connecting rod and check pin clearance in piston and rod. If clearance is excessive, piston and connecting rod must be rebored for a .0079" (.2 mm) oversize pin.

2) Bushing in small end of rod is replaceable and requires a .0017-.0040" (.043-.102 mm) interference fit. To assemble piston and rod, piston side with offset portion of pin bore must be on same side as numbers on connecting rod and cap. Oil piston pin and insert in piston and rod. Install circlips and check alignment and freedom of movement.

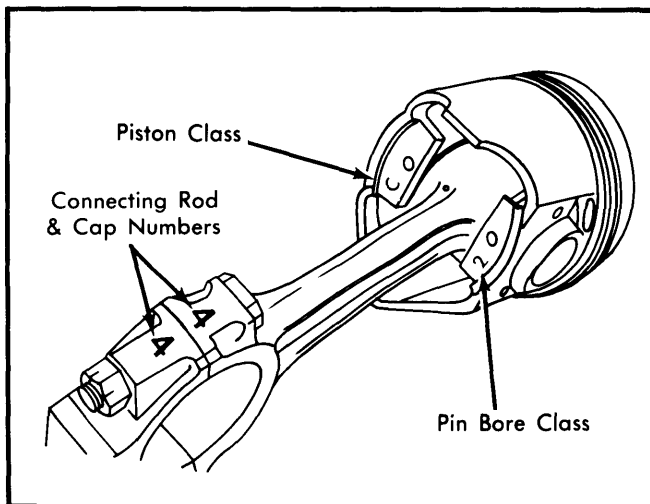


Fig. 4 Piston and Rod Assembly Markings

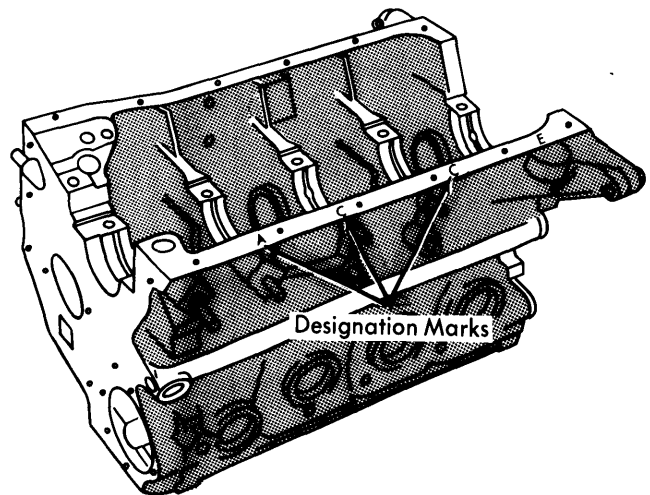


Fig. 5 Piston Bore Class Designation Marks

BRAVA & SPIDER 2000 4 CYLINDER (Cont.)

CRANKSHAFT MAIN & CONNECTING ROD BEARINGS

MAIN & CONNECTING ROD BEARINGS

1) With crankshaft removed, thoroughly clean and inspect for cracks or scoring on journals. Check all journals for out-of-round condition, using a micrometer. If journal is out-of-round or tapers more than .0002" (.005 mm), crankshaft must be reground for undersize bearings.

2) Bearing-to-journal clearance is checked using the Plastigage method. If clearance exceeds specifications, crankshaft must be ground for undersize bearings. Main and connecting rod bearings are available in .010" (.25 mm), .020" (.51 mm), .030" (.76 mm), and .040 (1.02 mm) undersizes.

NOTE — Main bearing caps are stamped with a number that must correspond to the number stamped on crankcase near flywheel. Notches on caps face auxiliary shaft side and coincide with position. Front main bearing cap has no notch, however 2nd, center 4th and rear caps have 1, 2, 3, and 4 notches respectively.

CRANKSHAFT END PLAY

Check crankshaft end play using a dial indicator mounted at front of engine. Pry crankshaft back and forth to read clearance. If beyond specifications, install new thrust washers to bring end play within limits.

ENGINE FRONT COVER & OIL SEAL

Engine front cover oil seal should be replaced whenever front cover is removed. Make sure new seal is squarely seated in cover. Lubricate seal contact lip before installing cover.

ENGINE OILING

Crankcase Capacity — Total capacity of entire system is 5.2 quarts. Normal drain and refill capacity (with filter) is 4 quarts.

Oil Filter — Full-flow, cartridge type.

Normal Oil Pressure — 50-71 psi (3.5-5.0 kg/cm²) at idle.

Pressure Regulator Valve — Installed in pump cover.

NOTE — On air conditioned models, oil filter support mounts A/C compressor. Filter screws on from side rather than from bottom.

ENGINE OILING SYSTEM

Engine oiling system is full pressure lubrication utilizing a gear type oil pump driven by the auxiliary shaft. A full-flow filter and a pressure regulator valve is also used.

OIL PUMP

Removal — 1) Drain crankcase and remove oil pan. See *Oil Pan*. Remove 2 bolts and washers holding oil pump to engine and remove pump and gasket. Visually inspect all parts for wear or damage.

2) Check gears for tooth-to-housing clearance. Clearance should be .004-.007" (.11-.18 mm). Place straightedge across pump body and measure gear end play. End play should be .0010-.0051" (.026-.131 mm). Check relief valve spring for pressure of at least 12.7 lbs. (5.8 kg) at .886" (22.5 mm).

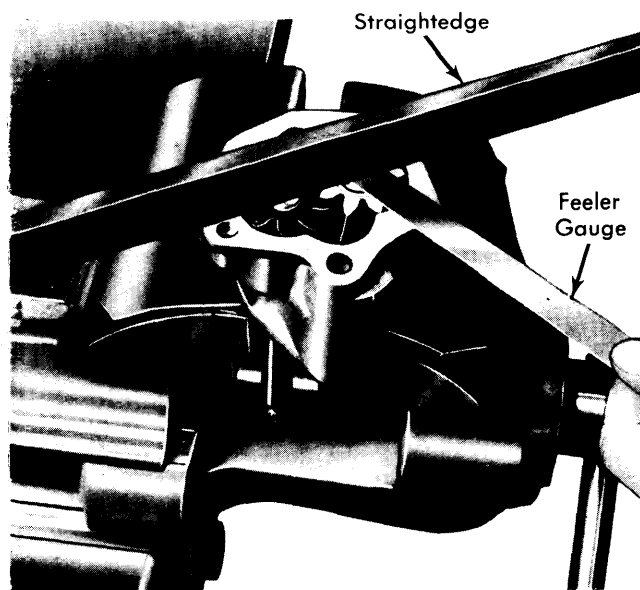


Fig. 6 Checking Oil Pump Gear End Play

Installation — To install, reverse removal procedure and mount pump using a new gasket. Make sure pump is seated before tightening mounting bolts.

ENGINE COOLING

Thermostat — Opens at 172-180°F (78-82°C).

Thermoswitch — Operates at 194-201°F (90-94°C).

Cooling System Capacity

Application	Capacity
Brava	8.5 quarts
Spider 2000	8.0 quarts

Radiator Cap — 11 psi.

WATER PUMP

Removal — Drain cooling system. Remove 3 water pump pulley bolts. Remove drive belt and water pump pulley. Remove radiator hose from water pump. Remove 4 mounting bolts, then remove pump.

Installation — To install, ensure that mating surfaces are clean. Install new gasket and reverse removal procedure.

Fiat Engines

BRAVA & SPIDER 2000 4 CYLINDER (Cont.) ENGINE SPECIFICATIONS

GENERAL SPECIFICATIONS										
Year	Displ.		Carburetor	HP @ RPM	Torque (Ft. Lbs. at RPM)	Compr. Ratio	Bore		Stroke	
	cu. ins.	cc					in.	mm	in.	mm
1980	121.7	1995	1x2-Bbl.	80@5000	100@3000	8.1.1	3.31	84	3.54	90
Carb.	121.7	1995	Fuel Inj.	102@5500	110@3000	8.1.1	3.31	84	3.54	90
Fuel Inj.										

VALVES							
Engine & Valve	Head Diam. In. (mm)	Face Angle	Seat Angle	Seat Width In. (mm)	Stem Diameter In. (mm)	Stem Clearance In. (mm)	Valve Lift In. (mm)
1995 cc Intake	1.638-1.654 (41.6-42.0)	45.5°	45°	.079 (2.0)	.3139-.3146 (7.974-7.992)	.0012-.0026 (.030-.066)	.3765 (9.564)
Exhaust	1.412-1.435 (35.85-36.45)	45.5°	45°	.079 (2.0)	.3139-.3146 (7.974-7.992)	.0012-.0026 (.030-.066)	.3765 (9.564)

VALVE SPRINGS			
Engine	Free Length In. (mm)	PRESSURE Lbs. @ In. (kg @ mm)	
		Valve Closed	Valve Open
1995 cc Inner Spring	1.646 (41.8)	33@1.220 (14.9@31)	62@.846 (28.1@21.5)
Outer Spring	2.122 (53.9)	86@1.417 (38.9@36)	141@1.043 (59.5@26.5)

VALVE TIMING				
Engine	INTAKE		EXHAUST	
	Open (BTDC)	Close (ABDC)	Open (BBDC)	Close (ATDC)
1995 cc	5°	53°	53°	5°

PISTONS, PINS, RINGS						
Engine	PISTONS Clearance In. (mm)	PINS		RINGS		
		Piston Fit In. (mm)	Rod Fit In. (mm)	Rings	End Gap In. (mm)	Side Clearance In. (mm)
1995 cc	.0016-.0024 (.040-.060)	.0001-.0003 (.002-.008)	.0004-.0006 (.010-.016)	No. 1	.0118-.0177 (.30-.45)	.0018-.0030 (.045-.077)
				No. 2	.0118-.0177 (.30-.45)	.0011-.0027 (.030-.070)
				Oil	.0098-.0157 (.25-.40)	.0011-.0024 (.030-.062)

BRAVA & SPIDER 2000 4 CYLINDER (Cont.)

ENGINE SPECIFICATIONS (Cont.)

CRANKSHAFT MAIN & CONNECTING ROD BEARINGS							
Engine	MAIN BEARINGS				CONNECTING ROD BEARINGS		
	Journal Diam. In. (mm)	Clearance In. (mm)	Thrust Bearing	Crankshaft End Play In. (mm)	Journal Diam. In. (mm) ①	Clearance In. (mm) ②	Side Play In. (mm)
1995 cc	2.086-2.087 (52.99-53.00)	.001-.003 (.03-.07)	No. 5	.002-.012 (.05-.30)	1.9997-2.0001 (50.79-50.80)	.001-.003 (.03-.07)

① — Journal diameter is machined in two sizes designated by class codes. Specification given is class "A". Class "B" is smaller by .0004" (.010 mm).

② — Clearance varies according to class of connecting rod journal. Specification given is class "A". Class "B" clearance is larger by .0001" (.002 mm).

CAMSHAFT				
Engine	Journal Diam. In. (mm)	Clearance In. (mm)	Lobe Lift In. (mm)	
1995 cc	1.1788-1.1795 (29.94-29.96)	.0019-.0035 (.049-.090)	.3765 (9.56)	
				Front
				Middle
Rear	1.8171-1.8178 (46.15-46.17)	.0011-.0027 (.029-.070)	.3765 (9.56)	

TIGHTENING SPECIFICATIONS

Application	Ft. Lbs. (mkg)
Cylinder Head Bolts①	61 (8.5)
Main Bearing Cap Bolts	
Front	59 (8.2)
Center & Rear	83 (11.5)
Intake & Exhaust Manifold Nuts	18 (2.5)
Intake Manifold Bolts	18 (2.5)
Connecting Rod Nuts	54 (7.5)
Flywheel-to-Crankshaft Bolt	105 (14.5)
Camshaft Sprocket Bolt	87 (12)
Oil Pump Mounting Bolt	14 (2.0)
Timing Belt Tensioner Nut	33 (4.5)

① — Tighten when cold only. Recheck after 700-1000 miles.