

AUDI FOX

Fox

DESCRIPTION

Clutch is single plate dry disc type, using a diaphragm type pressure plate and a pre-lubricated clutch release bearing. Clutch is cable actuated.

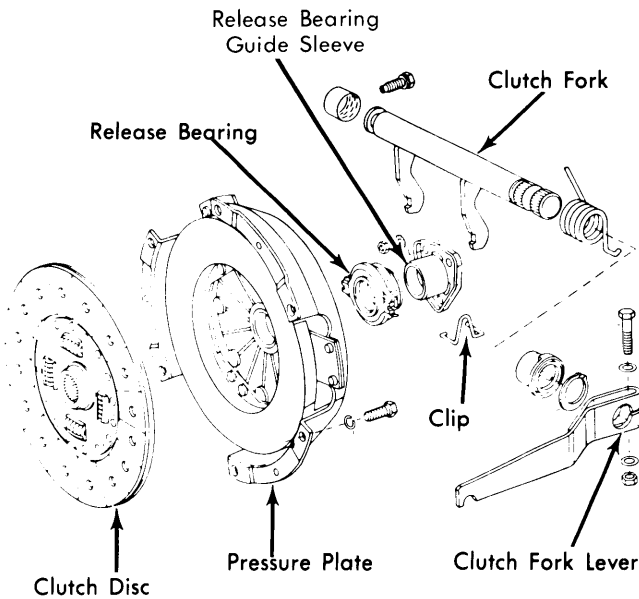


Fig. 1 Exploded View of Clutch Assembly

REMOVAL & INSTALLATION

CLUTCH ASSEMBLY

Removal – 1) Disconnect battery ground cable at battery. Disconnect exhaust head pipe at manifold and bracket on transmission.

2) Remove bolt mounting shift assembly coupling to rear of transmission shifting shaft and separate assemblies. Unhook clutch cable at release lever. Disconnect speedometer.

3) Disconnect axle drive shafts at inner drive flanges. Remove starter. Take out front clutch housing cover plate. Remove transmission-to-engine mounting bolts.

4) Suitably support transmission with jack. Remove transmission rear mounts and brackets. Pry transmission away from engine and slide it out of vehicle.

5) Index mark pressure plate and flywheel. Loosen pressure plate bolts 1/4 turn at a time. Work bolts loose in criss-cross pattern. Slide pressure plate off dowels on flywheel.

Installation – To install, reverse removal procedure and note: Use clutch alignment tool to fit pressure plate and clutch. Make sure alignment marks are observed.

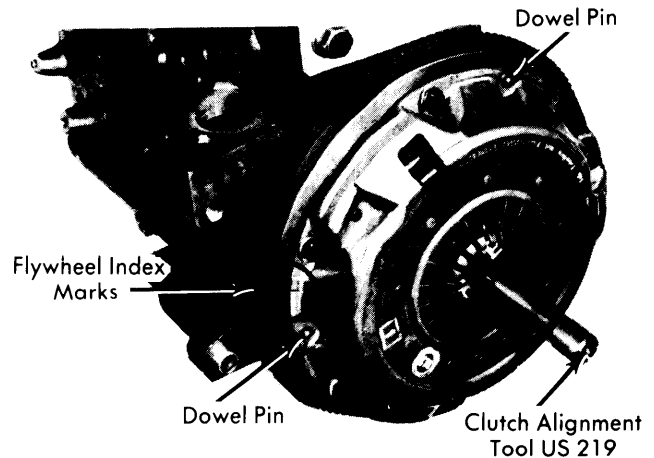


Fig. 2 Aligning Clutch Assembly Reference Marks for Reinstallation

CLUTCH RELEASE BEARING

- 1) With transmission separated from engine, remove spring clips securing release bearing to clutch fork. Bearing is pre-lubricated; do not wash in any cleaning solution.
- 2) Rotate bearing and check for roughness or noise, replace as necessary. Apply Molykote paste to bearing contact points on clutch fork. To install, reverse removal procedure.

PILOT BEARING

- 1) To remove bearing, install a suitable remover tool (10-202) into pilot bearing, then remove bearing by tightening tool.
- 2) Install bearing so that lettering is facing out. Drive bearing into crankshaft using a suitable driver tool (US 219) until it is flush, then lubricate bearing.

ADJUSTMENT

CLUTCH PEDAL FREE PLAY

To obtain correct free play between clutch release bearing and clutch, clutch pedal free play must be correct. Free play can be adjusted by loosening and adjusting both counternuts at clutch cable to obtain .590" (15 mm) free play at pedal.

TIGHTENING SPECIFICATIONS

Application	Ft. Lbs. (mkg)
Clutch Assembly-to-Flywheel.....	18 (2.5)
Transmission-to-Engine	40 (5.5)
Clutch Lever-to-Transmission.....	12-18 (1.7-2.5)
Drive Shaft-to-Transmission	25.5 (3.5)