

## HONDA CIVIC &amp; CIVIC CVCC

Civic  
Civic CVCC

## DESCRIPTION

Clutch is single plate dry disc type, using a diaphragm spring to engage pressure plate. Clutch has a mechanical release system consisting of clutch pedal, cable, clutch release lever, and release bearing.

## REMOVAL &amp; INSTALLATION

## CLUTCH ASSEMBLY

- 1) Raise and support vehicle, then remove front wheels. Disconnect battery ground cable at battery and transmission case. Disconnect electrical leads from starter and separate connections for back-up lights. On CVCC models, disconnect leads to temperature sending units. Disconnect clutch cable and on Civic models, remove speedometer cable.
- 2) On CVCC models, remove right starter motor bolt and two upper transmission mounting bolts. Drain transmission. Place jack under transmission. Remove fender well shield on right side. Remove speedometer drive holder and pull assembly from transmission. Remove subframe crossmember and support bracket from clutch housing front.
- 3) On Civic models, disconnect lower arm ball joints at knuckles with suitable ball joint remover tool (07941-6340000). Pull drive shafts out of differential case. Drive gear shift rod retainer pin out with a pin driver, then disconnect rod at transmission case. Disconnect gear shift extension at clutch housing.
- 4) On CVCC models, disconnect torque rod from mounting at transmission. Disconnect gear shift by removing pin, then disconnect stabilizer spring from both radius rods. Separate ball joint from steering knuckle. Separate stub axle of transmission housing.

5) On Civic models, raise and support engine to take load off engine mounts. Remove the two center beam-to-lower engine mount nuts. Remove center beam and engine mount. Reinstall center beam (less mount) and lower engine until it rests on beam.

6) On CVCC models, remove clutch cover, left starter bolt, then remove starter. Remove three rear engine mounting bolts from transmission housing. Remove front transmission bolts and pull transmission rearward off dowels.

7) On Civic models, place a jack under transmission and remove four attaching bolts. Slide transmission away from engine and lower jack until transmission clears vehicle. On all models, loosen pressure plate retaining bolts two turns at a time in a circular pattern, and remove clutch assembly.

8) To install, reverse removal procedure and note the following: Use a suitable aligning pin to center clutch disc on flywheel. When installing pressure plate, align mark on outer edge of flywheel with alignment mark on pressure plate. Tighten pressure plate retaining bolts two turns at a time in a circular pattern to prevent distorting diaphragm spring.

## CLUTCH RELEASE LEVER &amp; BEARING

- 1) With transmission removed, unbend locking tab and remove the 8 mm release arm retaining bolt. Slide release shaft out of transmission case. Slide release arm and release bearing off transmission input shaft as an assembly.
- 2) Separate release bearing from arm taking care not to damage retaining clip. **NOTE** — Attempting to remove or install release bearing with release arm in case will damage retaining clip. Using a suitable bearing driver, separate release bearing from holder.
- 3) **NOTE** — Bearing is filled with grease and should not be immersed in cleaning solvent. To install, reverse removal procedure and note the following: Install release bearing with radiused (rounded) side opposite holder. When installing release shaft and arm, place a lock tab washer under retaining bolt.

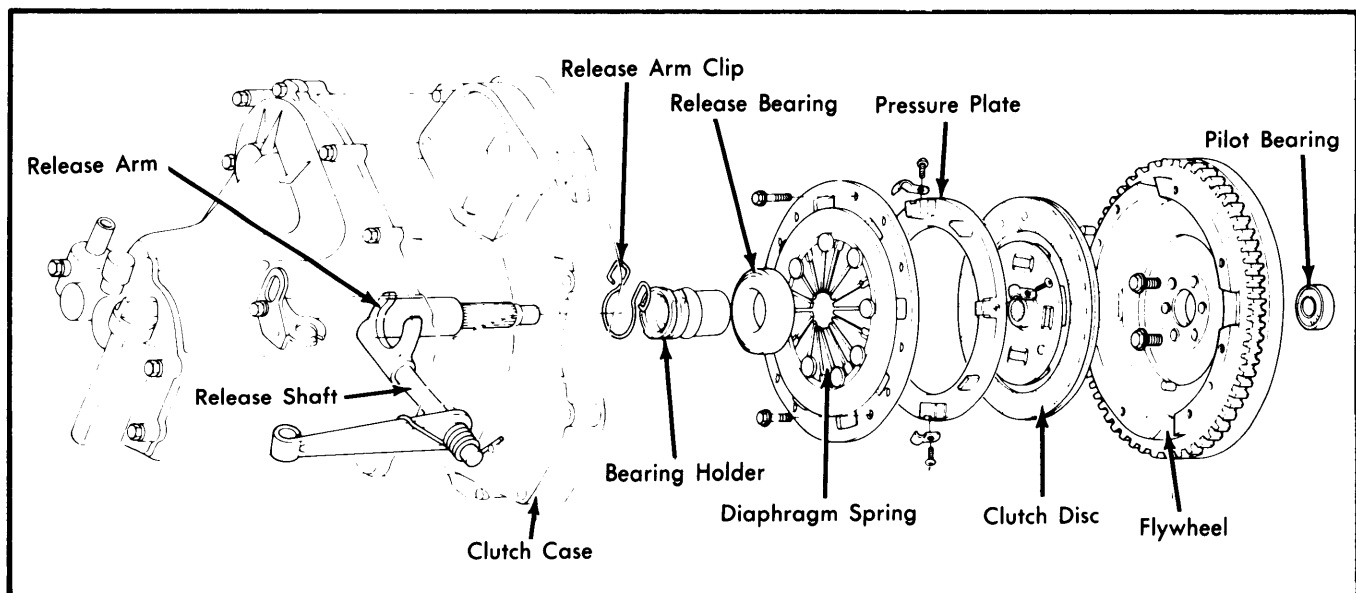


Fig. 1 Exploded View of Clutch Assembly with Bell Housing

## HONDA CIVIC & CIVIC CVCC (Cont.)

### ADJUSTMENT

#### CLUTCH PEDAL

1) Check clutch pedal height and if necessary, adjust upper stop so that clutch and brake pedals rest at approximately same height from floor. **NOTE** — Before adjusting clutch pedal height, make sure brake pedal free play is properly adjusted.

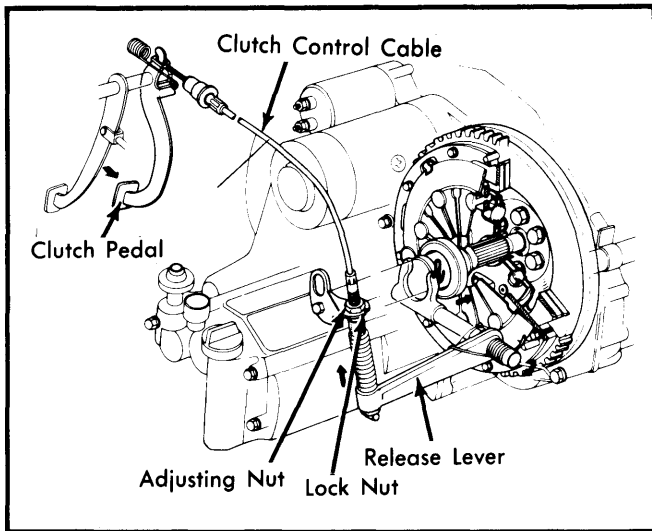


Fig. 2 Clutch Adjustment Point for Civic

2) On Civic models, adjust clutch release lever to .12-.16" (3-4 mm) free play, measured at release lever. Adjustment is made at outer cable housing adjuster near release lever. **NOTE** — Insure upper and lower adjusting nuts are tightened after adjustment.

3) On Civic CVCC models, adjust clutch cable clip (near firewall) until pedal free play is approximately .6-.8" (15-20 mm).

4) Check clutch pedal release height as follows: Raise front wheels off ground and place transmission in fourth gear. Depress clutch pedal and start engine. Release pedal until wheels start to turn, and measure pedal height at this point. Pedal release height should be greater than 1.18".

**NOTE** — If release lever free play and pedal height are properly adjusted, but pedal release height is not within specifications, clutch components are damaged.

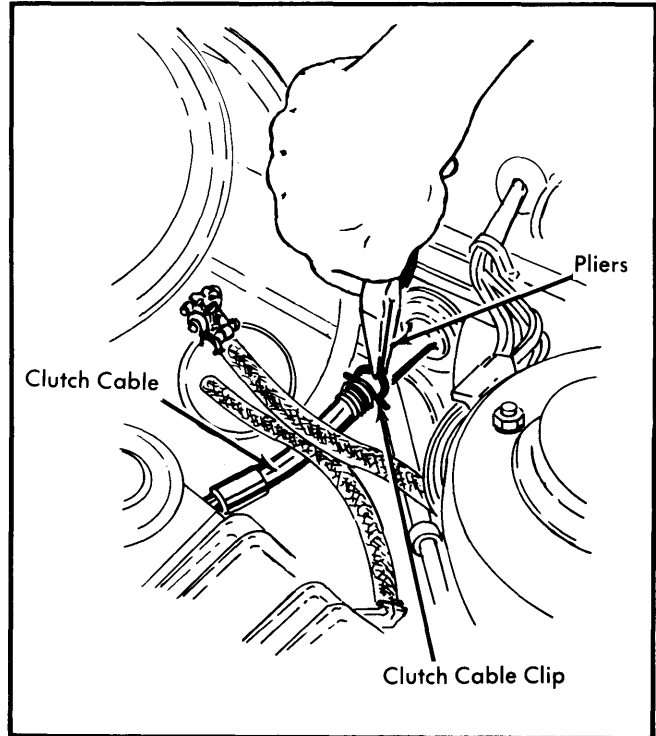


Fig. 3 Clutch Pedal Adjustment Point for CVCC

### TIGHTENING SPECIFICATIONS

Application	Ft. Lbs (mkg)
Clutch-to-Flywheel .....	7-10 (.97-1.3)
Flywheel-to-Crankshaft.....	34-38 (4.7-5.2)
Release Arm Bracket Bolt .....	14-20 (1.9-2.7)
Clutch Case-to-Engine (Civic) .....	29-36 (4.0-4.9)