

Clutches

AUDI FOX

Fox

DESCRIPTION

Clutch is single plate dry disc type, using a diaphragm type pressure plate and a pre-lubricated clutch release bearing. Clutch is cable actuated.

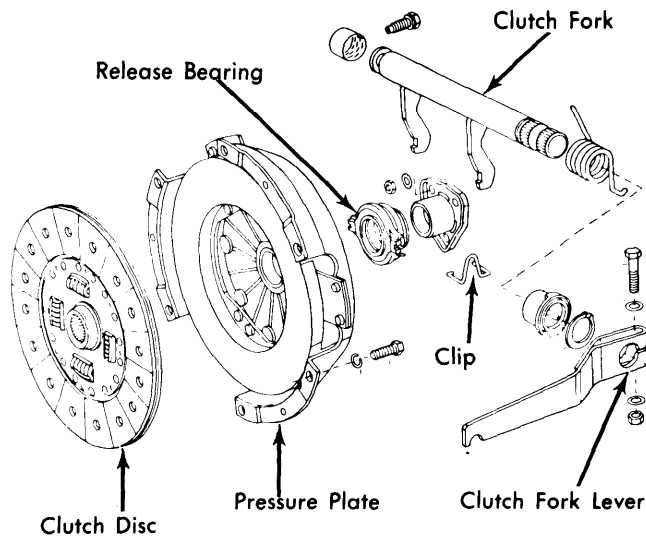


Fig. 1 Exploded View of Clutch Assembly

REMOVAL & INSTALLATION

CLUTCH ASSEMBLY

Removal – 1) Disconnect battery ground strap. Disconnect exhaust pipe from transaxle bracket and engine. Remove square bolt and push shifter assembly coupling from rear of transmission shifting shaft. Unhook clutch cable and disconnect speedometer cable.

2) Disconnect CV joints at inner drive flanges. Remove starter, front mounting plate, and transaxle mounting bolts. Disconnect back-up light wires. Support transaxle away from engine and lower out of vehicle.

Installation – 1) Place clutch disc on suitable aligning tool and insert tool into guide bearing in end of crankshaft. Bolt pressure plate to flywheel, making sure that three dowel pins in flywheel engage appropriate holes in pressure plate. Tighten mounting bolts in steps before final torque.

2) Install crossmember to transaxle. Raise transaxle and fit crossmember bolts (do not tighten). Slide transaxle up to engine and install mounting bolts. Install front mounting plate and starter. Install CV joint Allen screws and tighten. Now, tighten crossmember mounting bolts.

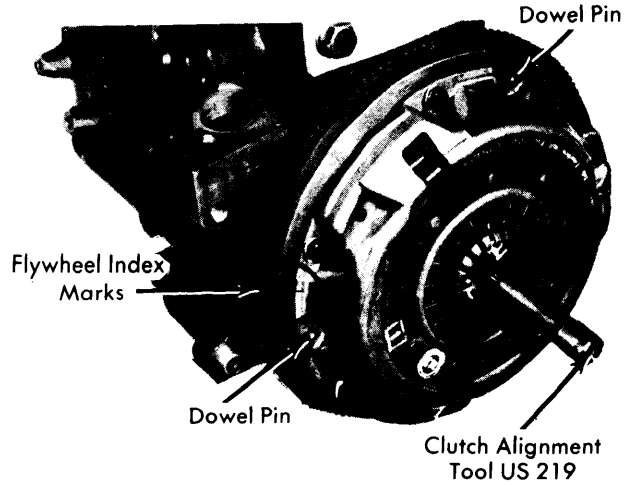


Fig. 2 Aligning Clutch Assembly

3) Tighten square headed coupling bolt and install lock wire. Connect exhaust pipe, allowing $\frac{3}{8}$ " (10 mm) between pipe and floor pan. Reconnect back-up light wires and battery ground strap.

CLUTCH RELEASE BEARING

- 1) With transmission separated from engine, remove spring clips securing release bearing to clutch fork. Bearing is pre-lubricated; do not wash in any cleaning solution.
- 2) Rotate bearing and check for roughness or noise, replace as necessary. Apply Molykote paste to bearing contact points on clutch fork. To install, reverse removal procedure.

PILOT BEARING

- 1) To remove bearing, install a suitable remover tool (10-202) into pilot bearing, then remove bearing by tightening tool.
- 2) Install bearing so that lettering is facing out. Drive bearing into crankshaft using a suitable driver tool (US 219) until it is flush, then lubricate bearing.

ADJUSTMENT

CLUTCH PEDAL FREE PLAY

To obtain correct free play between clutch release bearing and clutch, clutch pedal free play must be correct. Free play can be adjusted by loosening and adjusting both counternuts at clutch cable to obtain .590" (15 mm) free play at pedal.

TIGHTENING SPECIFICATIONS

Application	Ft. Lbs. (mkg)
Clutch Assembly-to-Flywheel.....	18 (2.5)
Transmission-to-Engine.....	40 (5.5)
Clutch Lever-to-Transmission.....	12-18 (1.7-2.5)
Drive Shaft-to-Transmission.....	25.5 (3.5)