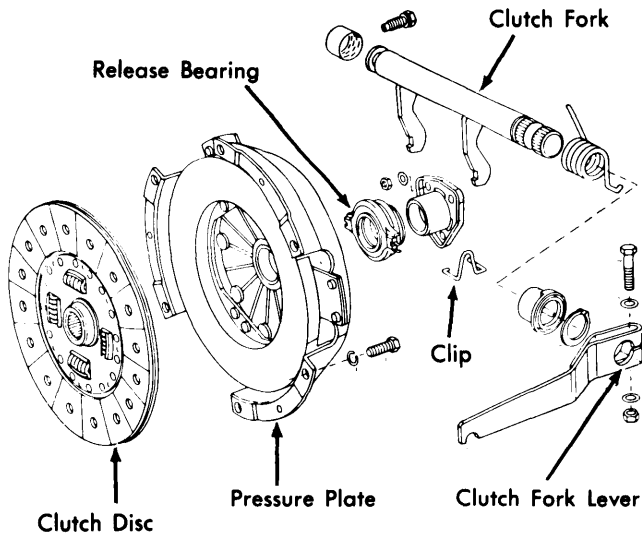


VOLKSWAGEN DASHER

Type 32/33
Dasher

DESCRIPTION

Clutch is single plate dry disc type, using a diaphragm type pressure plate and a pre-lubricated clutch release bearing. Clutch is cable actuated.



3AUP01

CLUTCH ASSEMBLY

REMOVAL & INSTALLATION

CLUTCH ASSEMBLY

- 1) With battery disconnected, raise vehicle on hoist. Loosen complete exhaust system and fasten it with wire underneath vehicle on right side. Remove drive shaft mounting bolts, then fasten drive shafts to steering gear with wire.
- 2) Remove speedometer cable, then remove engine to transmission connecting bolts. Remove flywheel guard and starter. Remove lock wire, then remove gearshift rod coupling bolt and pull off gearshift rod. **NOTE** — Use an 8 mm socket head wrench with a "T" handle (VW 114) for this operation.
- 3) Disconnect gearshift strut at transmission and crossmember of engine suspension. Disconnect electrical leads from transmission, then separate transmission from engine and remove.
- 4) Mark all parts for reassembly reference, remove clutch mounting bolts by loosening them in steps, and remove clutch assembly.

5) To install, place clutch disc on a suitable clutch aligning tool (US 219), and insert aligning tool into guide bearing in end of crankshaft. Bolt pressure plate to flywheel, making sure that three dowel pins in flywheel engage appropriate holes in pressure plate. Tighten mounting bolts in steps before final torque.

6) To complete installation, reverse removal procedure and note the following: Before securing transmission rear mount to body, connect electrical leads to switches on transmission. Relock the square head set screw of gearshift rod coupling with new wire. Adjust clutch pedal free play. See *Clutch Pedal Free Play*.

CLUTCH RELEASE BEARING

- 1) With transmission separated from engine, remove spring clips securing release bearing to clutch fork. Bearing is pre-lubricated; do not wash in any cleaning solution.
- 2) Rotate bearing and check for roughness or noise, replace as necessary. Apply Molykote paste to bearing contact points on clutch fork. To install, reverse removal procedure.

PILOT BEARING

- 1) To remove bearing, install a suitable remover tool (10-202) into pilot bearing, then remove bearing by tightening tool.
- 2) Install bearing so that lettering is facing out. Drive bearing into crankshaft using a suitable driver tool (US 219) until it is flush, then lubricate bearing.

ADJUSTMENT

CLUTCH PEDAL FREE PLAY

To obtain correct free play between clutch release bearing and clutch, clutch pedal free play must be correct. Free play can be adjusted by loosening and adjusting both counternuts at clutch cable to obtain .590" free play at pedal.

TIGHTENING SPECIFICATIONS

Application	Ft. Lbs. (mkg)
Clutch Assembly-to-Flywheel	18 (2.5)
Transmission-to-Engine	40 (5.5)
Clutch Lever-to-Transmission	12-18 (1.6-2.4)
Drive Shaft-to-Transmission	25.5 (3.5)