

# Clutches

## 1970-73 AUDI S90, 100GL & 100LS

**S90 (1970-72)**  
**100GL (1972-73)**  
**100LS (1970-73)**

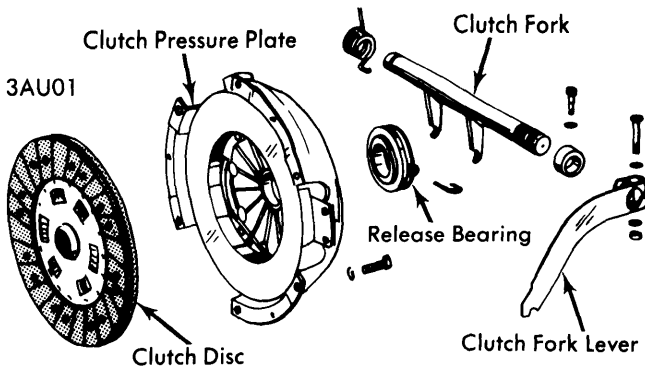
### DESCRIPTION

Clutch is a dry, single disc, diaphragm spring type. Clutch is cable actuated. A pre-lubricated clutch release bearing is also employed.

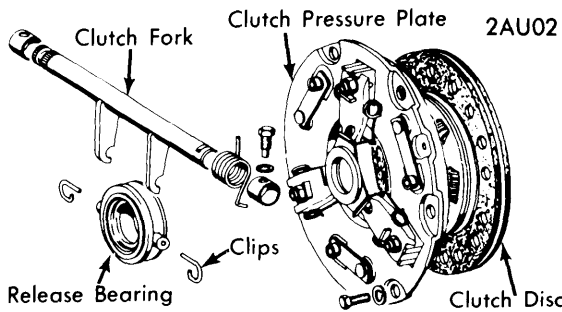
### REMOVAL & INSTALLATION

#### CLUTCH ASSEMBLY

**All Models** — 1) Engine and transmission are removed as a unit to gain access to clutch assembly. See *Audi Engine Removal* in *ENGINE* Section. Separate transmission from engine. **NOTE** — S90 transmission can be removed without taking out engine, but manufacturer recommends that engine and transmission be removed as a unit.



**CLUTCH & COMPONENTS (100GL & 100LS)**



**CLUTCH & COMPONENTS (S90)**

#### CLUTCH CABLE REPLACEMENT

- 1) Loosen adjustment nut and pull cable from mount. Disconnect threaded eyelet from hook at clutch pedal. Remove threaded eyelet and nut from pedal end of cable.
- 2) Pull cable out from engine compartment side. To install, reverse removal procedure. Clutch fork lever must be installed in correct position before installing cable.
- 3) On S90 models, position lever so that distance between threaded hole below lever and indentation in lever is 4.92" (125 mm). Clamp lever in place before installing cable.
- 4) On 100 models, position lever so that distance between edge of cable mount and hook portion of lever is 6.3" (160 mm). Clamp cable in place before installing cable.
- 5) Adjust clutch pedal free play. See *Clutch Pedal Free Play*.

#### CLUTCH RELEASE BEARING

- 1) With transmission separated from engine, remove clips securing release bearing to clutch fork. Bearing is pre-lubricated, do not wash in any solution.
- 2) Rotate bearing and check for roughness or noise. Replace bearing if necessary. Apply Molykote paste to bearing contact points on clutch fork. To install, reverse removal procedure.

#### CLUTCH PILOT BEARING

- 1) Bearing is needle bearing type, pressed into flywheel end of crankshaft. Rotate bearing and check for noise or roughness. Pull bearing out with a puller if bearing is defective.
- 2) Lubricate new bearing when driving in. Drive bearing in so that flat side with lettering is facing out.

### ADJUSTMENT

#### PEDAL FREE PLAY

To obtain correct free play between clutch release bearing and clutch, the correct amount of pedal free play must be obtained. Adjust cable adjusting nut at cable bracket until pedal has .6-.8" (15-20 mm) of free play.

#### TIGHTENING SPECIFICATIONS

Application	Ft. Lbs. (mkg)
Transmission-to-Engine	
12 mm Bolts .....	54 (7.5)
10 mm Bolts .....	33 (4.6)
8 mm Bolts .....	18 (2.5)
Clutch Assembly-to-Flywheel .....	24 (3.3)