

Sunroofs — Electric

JEEP

Cherokee, Wagoneer

DESCRIPTION

Jeep electric sunroof features a sliding glass panel operated by an electric motor, and a manually operated sun screen. System consists of sunroof assembly, electric motor mounted in the forward portion of the sunroof housing, a 2-position switch mounted in the windshield header and all necessary wiring.

Electrical feed is through air conditioning terminal of fuse block. Circuit is protected by air conditioning fuse and a 20 amp. in-line fuse located in the wiring harness just below the "A" pillar.

ADJUSTMENT

MOTOR CLUTCH

1) Remove motor cap to gain access to adjusting screw. Cap is located in headlining just above and at center of windshield.

2) Loosen clutch plate adjusting screw jam nut using a deep socket. Tighten adjusting screw to 50 INCH lbs. (5.6 N.m). Tighten jam nut and install motor cap.

GLASS PARALLEL ALIGNMENT

NOTE: Do not operate electric motor while the glass panel or cables are removed as cable damage could occur.

1) Open glass about $\frac{1}{2}$ ". Determine how much out of line front edge of glass is in relation to forward edge of roof panel opening. Note variation.

2) Open panel about 8" to gain access to cable and drive gear mechanism. Remove cable front cover and drive gear plate. Remove cable from track.

3) Move one side of glass panel slightly forward or backward as required to obtain parallel alignment with roof edge. Install cable in front track and insert cable in drive gear teeth.

4) Install drive gear plate and cable front cover. Close glass to within $\frac{1}{4}$ " of roof panel edge. Check alignment. Repeat steps as necessary to obtain proper parallel alignment.

REMOVAL & INSTALLATION

HALO ASSEMBLY

Removal & Installation

1) Open glass panel partially and remove halo assembly attaching screws. See Fig. 1. Grasp center of halo assembly and pull assembly downward to disengage front tabs from track.

2) Close glass panel fully. Slide halo assembly forward and remove assembly from vehicle. To install, reverse removal procedures.

GLASS PANEL

Removal & Installation

1) With halo assembly removed, close glass panel and remove outboard screws from front guide shoe

assemblies. Loosen inboard screws and rotate guide shoes to disengage slide portion from track.

2) Release rear slide tension springs by rotating them to inboard position. Remove screws attaching rear guide shoes and retainers to tabs in glass panel and remove retainers.

3) From outside of vehicle, raise front of glass panel and slide panel forward and out of vehicle. To install, reverse removal procedures noting that rear slide tension springs must be positioned under the spring lock roller.

SUNSCREEN

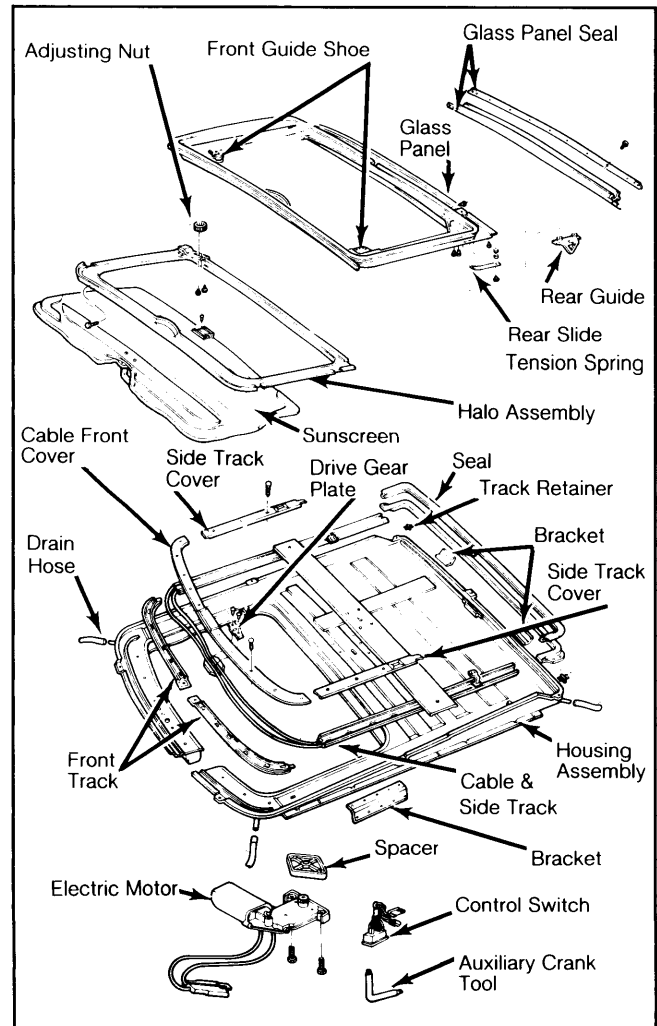
Removal

Remove halo assembly and glass panel. Open sunscreen fully. Working from outside of vehicle, pull sunscreen upward at center of screen and slide screen forward and upward to remove.

Installation

Working from outside of the vehicle, curve sunscreen upward at center of screen. Slide screen rearward and downward into roof opening. Install glass panel and halo assembly.

Fig. 1: Exploded View of Jeep Power Sunroof Assembly



JEEP (Cont.)

CABLE & SIDE TRACK

Removal

1) Remove halo assembly, glass panel and sunscreen. Remove screws attaching cable front cover and remove cover.

2) Remove drive gear plate. Remove side track cover screws and remove side track cover.

3) Disengage cable from front track and motor gear and remove cable by pulling it up and out. Lift side track up and remove.

Installation

To install, reverse removal procedures. Make sure track retainer is seated in hole at rear of housing. If both cables have been removed, make sure rear guide shoes are in contact with side track covers before installing cables.

SUNROOF SWITCH

Removal & Installation

Pull switch straight down from windshield header and disconnect switch wires. To install, connect wires and install switch in opening.

SUNROOF MOTOR

Removal

1) Open glass panel fully, then disconnect negative battery cable. Remove sun visors, escutcheons, center support, windshield mouldings and end caps.

2) Remove sunroof switch and motor cap. Spray headliner release agent across headliner at windshield. Allow several minutes for agent to penetrate.

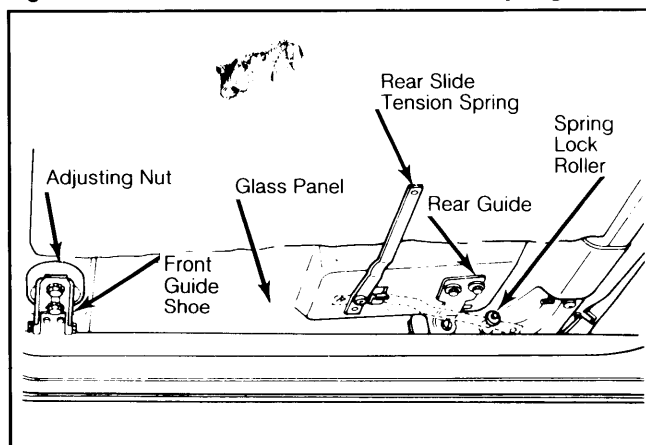
NOTE: When removing headliner, use care to avoid separating foam backing from headliner. If backing begins to separate, apply more release agent.

3) Pull front edge of headliner downward. Remove motor mounting screws and remove motor.

Installation

To install, reverse removal procedures. Mask off top of windshield and spray trim adhesive on roof panel along top of windshield and install headliner. Check sunroof operation and adjust motor clutch if necessary.

Fig. 2: Front Guide Shoe and Rear Tension Spring



Rotate guide shoes to disengage slide portion from track.