

GENERAL MOTORS

FUSE BLOCK

FUSE BLOCK LOCATION

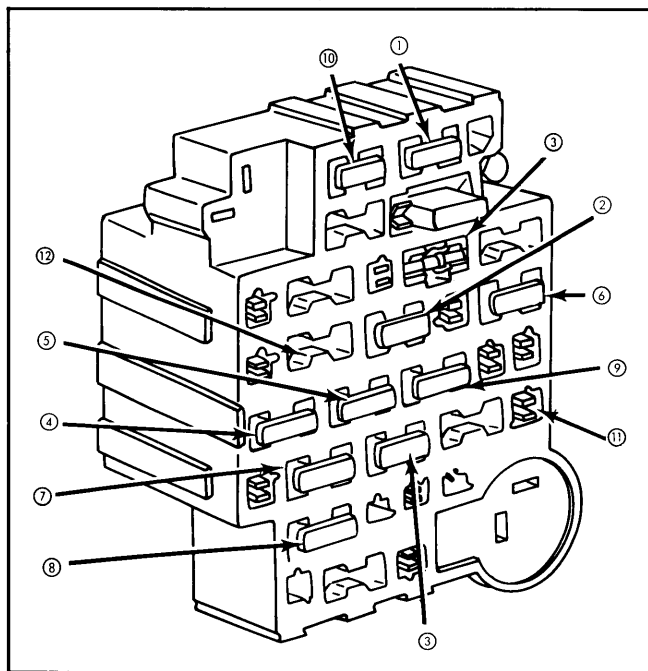
On all models, fuse block is located under the instrument panel on the driver's side of the vehicle.

FUSE BLOCK CIRCUITS

Pickup Models

- 1 — 20 amp. Heater, air conditioner and alternator warning light.
- 2 — 15 amp. Idle stop solenoid, auxiliary battery and radio.
- 3 — 20 amp. Cigar lighter, clock, dome light and horn.
- 4 — 20 amp. Cruise control, gauges and seat belt buzzer.
- 5 — 20 amp. Courtesy, tail, license, parking and side marker lights.
- 6 — 15 amp. Turn signal indicator light, stop lights and hazard lights.
- 7 — 15 amp. Back-up lights, front turn signal lights and side marker lights.
- 8 — 5 amp. Instrument panel lights and windshield wiper switch.
- 9 — 25 amp. Windshield washer.
- 10 — 20 amp. Choke heater.
- 11 — 30 amp. Circuit Breaker Power windows and tailgate.

Fig. 1: Fuse Block for Pickup Models

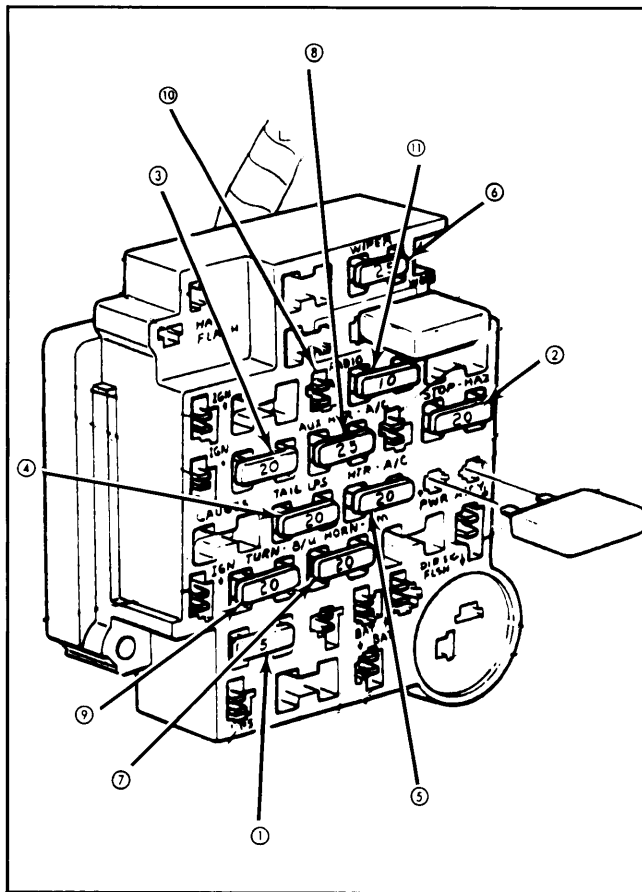


Fuse block is under instrument panel on driver's side.

Van Models

- 1 — 5 amp. Instrument panel lights.
- 2 — 20 amp. Turn signal indicator light, stop lights and hazard lights.
- 3 — 20 amp. Cruise control, gauges, warning lights and delay wiper.
- 4 — 20 amp. License, parking, side marker and tail lights.
- 5 — 20 amp. Front air conditioner and heater.

Fig. 2: Fuse Block for Van Models



Fuse block is under instrument panel on driver's side.

- 6 — 25 amp. Windshield wiper.
- 7 — 20 amp. Cigar lighter, clock, dome light, spot light and horn.
- 8 — 25 amp. Rear air conditioner and auxiliary heater.
- 9 — 20 amp. Turn signal indicator light, back-up light, front turn signal light and stop light.
- 10 — 20 amp. Electric choke heater.
- 11 — 10 amp. Idle stop solenoid, auxiliary battery and radio.

"P" Models

NOTE: For location of fuses on "P" models, see fuse block located on the driver's side under instrument panel.

- 1 — 5 amp. Instrument panel lights.
- 2 — 15 amp. Turn signal indicator light, stop lights and hazard lights.
- 3 — 10 amp. Cruise control, gauges and warning lights.
- 4 — 20 amp. License, parking, side marker and tail lights.
- 5 — 25 amp. Air conditioner, heater and auxiliary heater.
- 6 — 25 amp. Windshield wiper and washer.
- 7 — 20 amp. Choke heater warning light.
- 8 — 15 amp. Cigar lighter, clock, courtesy light, dome light and horn.
- 9 — 10 amp. Radio.
- 10 — 15 amp. Auxiliary battery, back-up lights, turn signal lights and stop lights.