

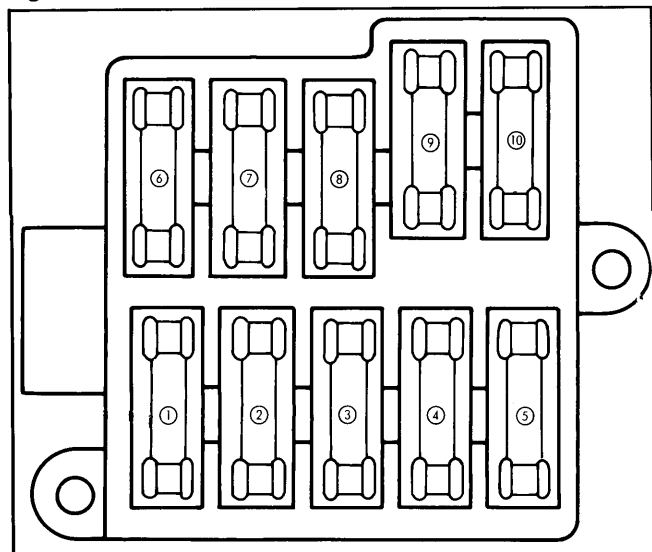
## CHRYSLER CORP.

### FUSE BLOCK

#### FUSE BLOCK LOCATION

On Pickup models, the fuse box is located under the instrument panel on the driver's side of the vehicle. On Van models, the fuse block is located under the glove compartment door.

**Fig. 1: Fuse Block for Van Models**



Fuse block is located under glove box door.

#### FUSE BLOCK CIRCUITS

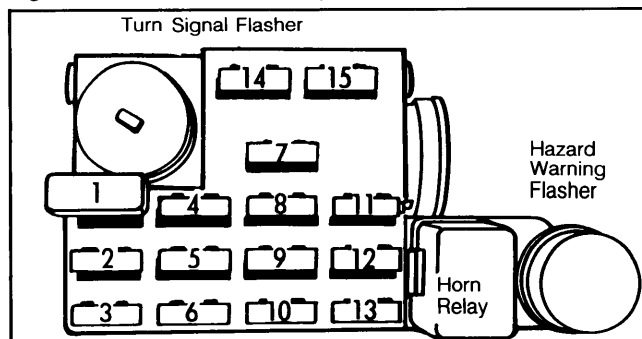
##### Van Models

- 1 — **5 amp.** Instrument panel lights.
- 2 — **20 amp.** Back-up lights, cruise control, turn signal lights and air conditioner clutch.
- 3 — **20 amp.** Horn, heater, auxiliary heater and auxiliary air conditioner.
- 4 — **5 amp.** Radio.
- 5 — **20 amp.** Brake warning light, oil pressure warning light, gauges and clock.
- 6 — **20 amp.** Tail, license, parking and side marker lights.
- 7 — **25 amp.** Dome, stop, glove box and vanity mirror lights. Ignition time delay light, cigar lighter and clock.
- 8 — **20 amp.** Hazard flashers.
- 9 — **30 amp.** Air conditioner and heater blower motors.
- 10 — **25 amp.** Rear window heater.

##### Pickup Models

- 1 — **30 amp.** Heater and air conditioner.
- 2 — **5 amp.** Instrument panel lights.
- 3 — **15 amp.** Hazard flashers.
- 4 — **5 amp.** Radio.

**Fig. 2: Fuse Block for Pickup Models**



Fuse block is under instrument panel on driver's side.

- 5 — **15 amp.** Turn signal flasher and back-up lights.
- 6 — **20 amp.** Speed control and air conditioner clutch.
- 7 — **20 amp.** Trailer lights.
- 8 — **25 amp.** Cigar lighter and exterior lights.
- 9 — **25 amp.** Horn relay, cargo light and instrument panel lights.
- 10 — **30 amp.** Window lift motor and door lock.
- 11 — **3 amp.** Travel computer.
- 12 — **3 amp.** Seat belt buzzer and gauges.
- 13 — Not used.
- 14 — Not used.
- 15 — Not used.

### CIRCUIT BREAKERS

#### All Models

A 20 amp. circuit breaker is integral with headlight switch to protect headlight circuit. A 6 amp. circuit breaker is positioned in the windshield wiper switch to protect wipers. A 20 amp. circuit breaker is positioned at the rear of the ammeter on Van models, or in the fuse block on Pickup models, to protect trailer towing or camper options.

### FUSIBLE LINKS

#### All Models

A fusible link is placed in the main charging circuit to protect the alternator. On some models, a fusible link is placed in the wiring to protect the radio.

### FLASHER LOCATION

#### Hazard Flasher

On Van models, the hazard flasher is located to the right of the fuse block. On Pickup models, the hazard flasher is located on the fuse block.

#### Turn Signal Flasher

On Van models, the turn signal flasher is located to the right of the fuse block. On Pickup models, the turn signal flasher is located on the fuse block.

## FORD

### FUSE BLOCK

#### FUSE BLOCK LOCATION

On all models, the fuse block is located under the instrument panel to the left of the steering column.

#### FUSE BLOCK CIRCUITS

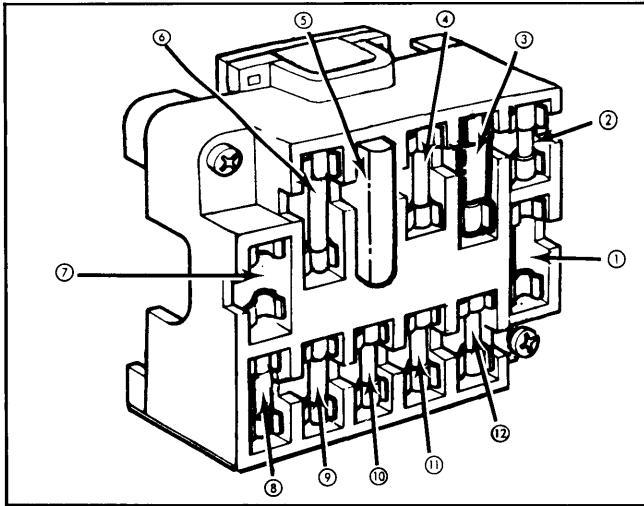
##### Van Models

- 1 — Not used.
- 2 — **3 amp.** Instrument panel lights.
- 3 — **7.5 amp.** Emission control and throttle solenoid.

# Fuses & Circuit Breakers

## FORD (Cont.)

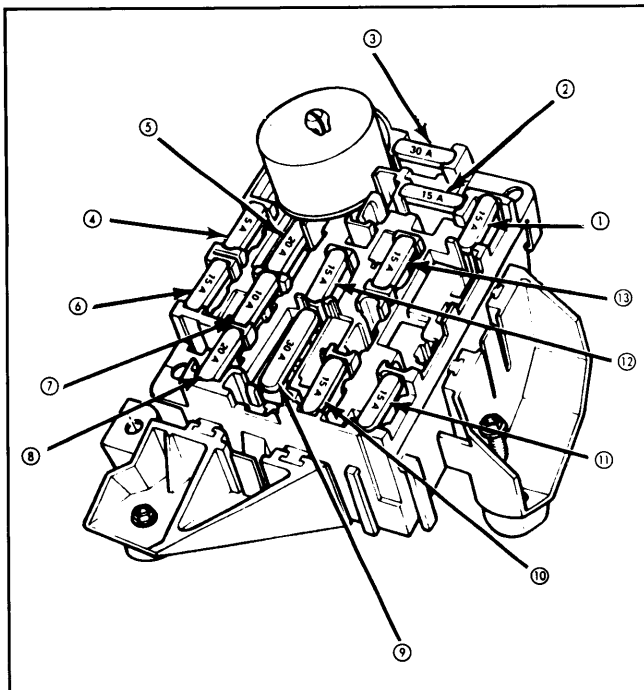
**Fig. 1: Fuse Block for Van Models**



Fuse block is under instrument panel and left of steering column.

- 4 — 7.5 amp. Seat belt warning.
- 5 — 7.5 amp. Windshield wiper system.
- 6 — 35 amp. Air conditioner, auxiliary heater and air conditioner.
- 7 — Not used.
- 8 — 20 amp. Hazard and stop lights.
- 9 — 15 amp. Courtesy lights.
- 10 — 20 amp. Speed control.
- 11 — 15 amp. Turn signal, back-up lights and windshield washer.
- 12 — 7.5 amp. Radio.

**Fig. 2: Fuse Block for Bronco and Pickup Models**



Fuse block is under instrument panel and left of steering column.

### Bronco and Pickup Models

- 1 — 15 amp. Hazard and stop lights.
  - 2 — 15 amp. Turn signal and back-up lights.
  - 3 — 30 amp. Heater blower motor.
  - 4 — 5 amp. Instrument panel lights.
  - 5 — 20 amp. **Circuit Breaker** Power windows, tailgate and door locks.
  - 6 — 15 amp. Emission control (Bronco only).<sup>1</sup>
  - 7 — 10 amp. Auxiliary fuel tank (Pickup).
  - 8 — 20 amp. Horn and cigar lighter.
  - 9 — 30 amp. **Circuit Breaker** Power door locks and tailgate.
  - 10 — 15 amp. Courtesy lights.
  - 11 — 15 amp. Tail and parking lights.
  - 12 — 15 amp. Radio.
  - 13 — 15 amp. Accessories and windshield wipers.
- <sup>1</sup> — On Pickup models, fuse No. 6 services warning lights and seat belt buzzer.

### CIRCUIT BREAKERS

#### Van Models

A circuit breaker for protection of windshield wiper system is located in the fuse block and rated at 7.5 amps. A 15 amp. circuit breaker is located in the headlight switch to protect the tail, license, parking and marker lights and the horn. An 18 amp. circuit breaker is integral with the headlight switch to protect the headlight circuit.

#### Bronco and Pickup Models

An 18 amp. circuit breaker is integral with the headlight switch to protect the headlight circuit. A 6 amp. circuit breaker is integral with the windshield wiper switch to protect the wiper circuit.

### FUSIBLE LINKS

#### Van Models

Separate links in the starter motor relay protect air conditioner, alternator, dual batteries and fog lights. Alternator is also protected by a link located at the electric choke.

#### Bronco and Pickup Models

Separate fusible links at the starter relay protect the alternator and trailer towing package. A link at the junction block protects the marker lights on the F250/350 model camper special and F350 with dual wheels. Alternator is protected by a link located at the electric choke.

### FLASHER LOCATION

#### Hazard Flasher

On Van models, hazard flasher is taped to main wiring assembly in left corner of instrument panel. On Bronco and Pickup models, hazard warning flasher is mounted on fuse block.

#### Turn Signal Flasher

On Van models, turn signal flasher is attached to lower reinforcement of instrument panel on left side of steering column. On Bronco and Pickup models, turn signal flasher is mounted on fuse block.