

Wiper/Washer Systems

GENERAL MOTORS – SQUARE MOTOR

Chevrolet
"P" Models
GMC
"P" Models

DESCRIPTION

Two speed motor is a compound wound (series and shunt) type. Gear train consists of a helical gear at end of armature shaft which drives an intermediate gear and pinion assembly. Pinion drives output gear and shaft; and crank arm, attached to output gear shaft, drives wiper transmissions through connecting link arms. Circuit protection for wipers is through a fuse on fuse block. Windshield washer pump is a positive displacement type using a piston arrangement. Pump is mounted on shaft of wiper output gear.

TESTING & TROUBLE SHOOTING

WIPER ON CAR

Wiper Inoperative – Check wiring harness, wiper ground strap and dash switch for proper connections and mounting. Check fuse. With ignition switch on, check for 12 volts at harness terminal which connects to No. 2 terminal. To bypass switch, disconnect wiring at motor and connect jumper wire from No. 1 and 3 terminals to ground and a 12 volt source to No. 2 terminal. If wiper does not operate, disconnect transmissions from crank arm. If wiper still does not operate, remove from vehicle and test unit. See *Wiper Off Car*.

Wiper Will Not Shut Off – Determine whether wiper has both speeds, low speed only or high speed only, then operate wiper by bypassing switch as previously outlined. See *Wiper Inoperative*. If wiper operates correctly and has both speeds, lead to switch from No. 1 terminal is grounded or switch is faulty. If wiper has low or high speed only, lead to switch from No. 3 terminal is open or switch is faulty. If wiper still does not operate, remove from vehicle and test unit. See *Wiper Off Car*.

Operates Low Speed Only & Shuts Off With Dash Switch In High Position – Reverse harness leads connected to No. 1 and 3 terminals.

Does Not Return To Park With Wiper Off – Check ground strap connection and park switch contacts may be dirty, bent or broken.

Speed Normal In Low, But Too Fast In High – Terminal board resistor may be open. Remove from vehicle to test terminal board.

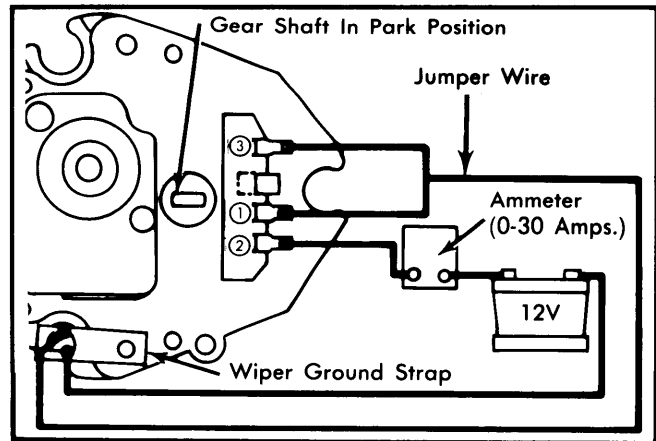
Wiper Operates Intermittently – Loose ground strap or dash switch mounting.

WIPER OFF CAR

NOTE – Use ammeter with reading of 30 amperes (minimum) in feed wire circuit.

Wiper Inoperative – Connect an ammeter and battery to No. 2 terminal and a jumper wire from No. 1 and 3 terminals to ground. Wiper should operate at low speed. If ammeter reading is 0, check for loose splice joints or loose solder connection at No. 2 terminal. If reading is 1-1.5 amperes, check

for sticking brushes, open armature or loose splice joint. If reading is 11 amperes, check for broken gear or other stalling condition.



"LO" Speed – As Shown

"HI" Speed – Disconnect Jumper Wire From Terminal "3".

"OFF" – Leave Jumper Connected To Terminals "1" & "3", But Disconnect It From Ground Strap. Wiper Should Stop With Gear Shaft Flats As Shown.

Fig. 1 Test Jumper Wire Connections

Wiper Will Not Shut Off – If wiper has both speeds, park switch contacts may not be opening or internal motor lead to No. 1 terminal is grounded. If wiper has low speed only, shunt field coil may be grounded or internal wiper lead to No. 3 terminal is grounded. If wiper has high speed only, shunt field is open or internal lead to No. 3 terminal is open.

Wipers Operate Intermittently – Check for sticking brushes, loose splice joints or other loose connections.

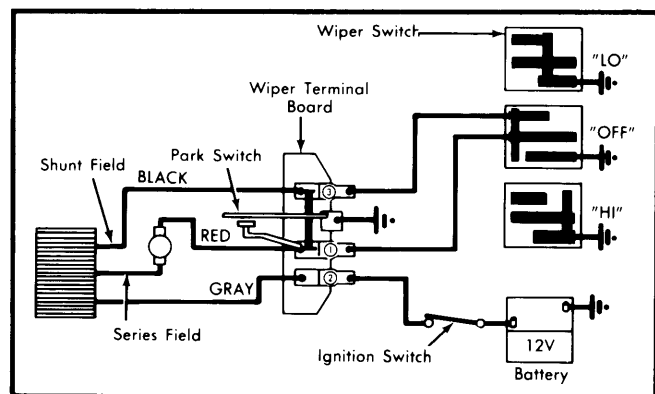


Fig. 2 General Motors Square Motor Wiper System Wiring Diagram

OVERHAUL

GEAR BOX

Disassembly – 1) Remove washer pump, if equipped. Remove pump drive cam by wedging off shaft with two screwdrivers. Clamp crank arm in vise and remove retaining nut.

GENERAL MOTORS – SQUARE MOTOR (Cont.)

NOTE – Arm must be secure in vise to avoid stripping wiper gears.

2) Remove crank arm, seal cap, retaining ring and end play washers. Drill out gear box cover rivets and remove cover.

3) Remove output gear and shaft assembly. Slide intermediate gear and pinion off shaft. Remove terminal board and park switch by unsoldering motor leads and drilling out rivets holding terminal board and park switch ground strap to plate.

Reassembly – **NOTE** – Service kit is available which contains necessary screws, nuts and washers to replace rivets removed at disassembly. Reverse disassembly procedure while noting the following: Lubricate gear teeth with suitable cam lubricant. Cover must be positioned over locating dowel pins. Ground strap must be reconnected. Place wiper in park position, install crank arm on output shaft so identification marks line up with marks in cover. Clamp crank in vise before tightening retaining nut.

WIPER MOTOR

Disassembly – Disassemble gear box, remove through bolts, tap motor frame lightly and remove motor from mounting plate. Release brush spring tension and slide armature and end plate from motor frame. Pull end plate from armature.

NOTE – A thrust plug is located between armature shaft and end plate. Remove end play adjusting washers and note arrangement for proper reassembly.

Reassembly – Reverse disassembly procedure while noting the following: Lubricate armature shaft bushings with light machine oil. Install washers with concave side of washers toward each other. End play is automatically controlled by proper installation of washers.

WASHER PUMP (PISTON TYPE)

Solenoid Assembly (Ratchet Dog) – Squeeze cover to remove. Remove ratchet dog retaining screw. Hold solenoid

plunger in position and lift solenoid assembly and ratchet dog from pump frame. Separate ratchet dog from solenoid mounting plate as required. To install, reverse disassembly procedure.

Ratchet Pawl – Disconnect ratchet pawl spring, remove pawl retaining ring and slide ratchet pawl off cam follower shaft. To install, reverse removal procedure.

Ratchet Wheel – Remove ratchet dog from pump frame, move ratchet wheel spring out of shaft groove and slide ratchet wheel off its shaft. To install, reverse removal procedure.

Pump And Actuator Plate Assembly – Remove solenoid assembly, ratchet dog, ratchet pawl and ratchet wheel. To separate pump and pump actuator plate from frame, pull pump housing in direction of arrow until grooves in housing clear the frame. Remove actuator plate from ratchet wheel and cam follower shafts. To install, reverse removal procedure.

Valve Assembly – Remove screws attaching valve assembly to pump housing. During reassembly, gasket must be properly positioned between housing and valve plate in the housing and valve plate grooves. Triple "O" ring must be properly installed between valve body and pipe assembly.

MOTOR SPECIFICATIONS

Application	Specification
Operating Voltage	12 Volts
Current Draw (No Load Max.)	
"Low" Speed	4 Amps.
"High" Speed	3.5 Amps.
Current Draw (Stall, Cold)	12 Amps.
Crank Arm Speed (Minimum)	
"Low" Speed	31 RPM
"High" Speed	55 RPM

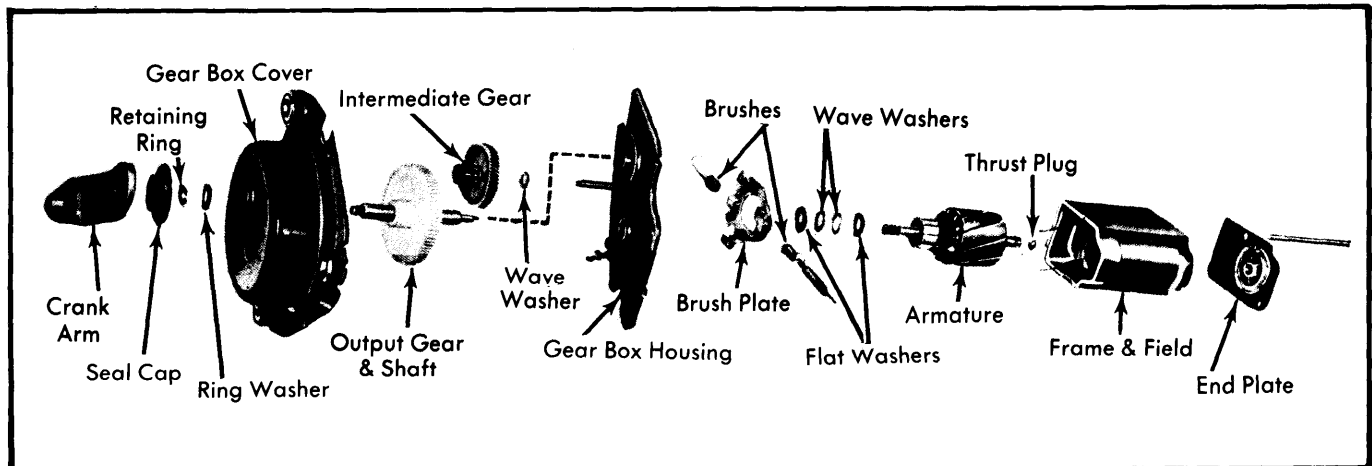


Fig. 3 Exploded View of Wiper Motor and Drive Assembly