

# Door Locks – Electric

## GENERAL MOTORS – MOTOR ACTUATED

Chevrolet  
GMC

### DESCRIPTION

The electric door lock system uses a permanent magnet motor lock actuator assembly at each door, conventional switches and a relay. All doors lock and unlock manually or from the door control switches. All components of the system are serviced as complete assemblies.

### TROUBLE SHOOTING

#### DOOR LOCKS INOPERATIVE FROM BOTH CONTROL SWITCHES, COURTESY LAMP FUSE BLOWN

Install new courtesy lamp fuse and press door lock switch to "Lock" position. If fuse blows, check for short between relay and switches. If system remains operative, check for short between source and cross bar harness.

#### DOOR LOCKS INOPERATIVE, COURTESY LAMP OPERATES

With a test lamp grounded, check Orange wire at relay connector. If light remains off, Check circuit breaker and circuit to the relay. With light on, press switch to lock position. If light remains off, check ground to the body. If grounded, replace relay.

#### DOORS WILL UNLOCK BUT WILL NOT LOCK

With test grounded, check Green/Yellow wire terminal at relay. Press switch, if light comes on but system does not operate, replace relay. If light does not come on, check for short between relay and cross body wiring harness.

#### DOORS WILL LOCK BUT WILL NOT UNLOCK

Use same procedure as above.

#### DOOR LOCKS OPERATE EXCEPT FOR ONE DOOR

Check for loose connection or short in circuit. If both leads check to the actuator motor, replace the motor.

#### DOOR LOCKS OPERATE NORMALLY EXCEPT ONE DOOR WILL NOT UNLOCK/LOCK

Check ground and if correct, replace switch.

#### DOOR LOCKS INOPERATIVE AND RELAY CLICKS WHEN ACTIVATED

Check Green/Yellow and Black wires between switch and relay.

#### DOOR LOCKS INOPERATIVE OR LOCKS PULSATE AND RELAY CHATTERS WHEN SWITCH IS ACTIVATED

Gray and Tan wires are making contact between relay and lock actuator motor.

### REMOVAL & INSTALLATION

#### DOOR LOCK MOTOR

- 1) Disconnect battery cable, remove door trim panel and disconnect electrical connector from motor.
- 2) Remove screws attaching motor to door. Remove door lock lever from rubber mount at top of motor actuator and remove motor through access hole. To install, reverse removal procedure.

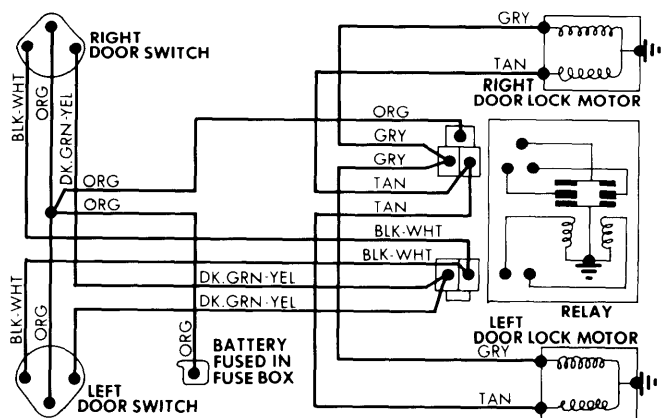


Fig. 1 General Motors Light Truck Power Door Lock Wiring Diagram