

GMC HYDRAULIC

GMC Motor Home

DESCRIPTION

Motor home uses a variable speed hydraulic wiper system with washers as standard equipment. Motor is mounted to bracket on left side of vehicle in front of drivers toe board. The hydraulic motor is powered by power steering fluid from discharge side of power steering pump. Windshield washer reservoir and pump are combined into one unit.

REMOVAL & INSTALLATION

WASHER & PUMP ASSEMBLY

Removal — Disconnect battery ground cable and then disconnect two wire leads to washer motor. Disconnect hose at rear of washer reservoir. Lift reservoir from bracket and remove from vehicle.

Installation — Position reservoir in bracket and install two wires to terminals on motor. Connect hose to back of reservoir. Connect battery ground cable and check unit for proper operation.

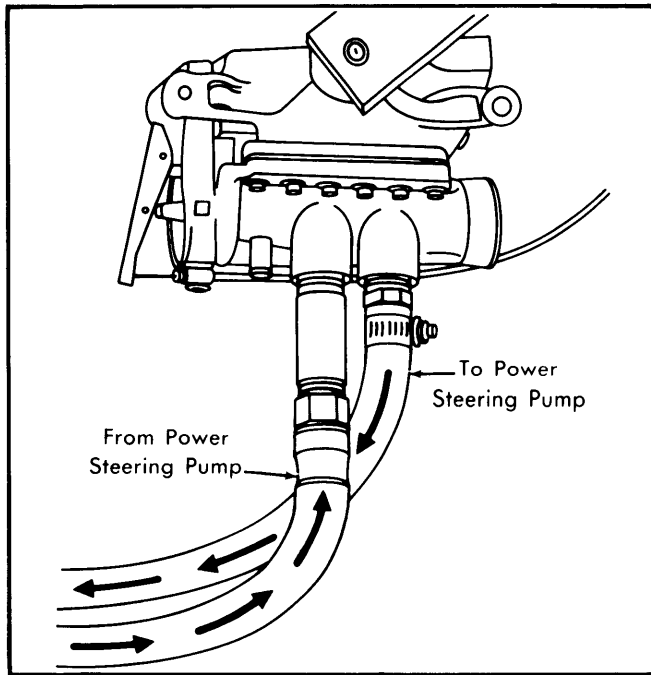


Fig. 1 Inlet & Outlet Connections for Wiper Motor Hoses

PIVOT SHAFT & LINK

Removal — Remove wiper arms from pivot shafts by removing plastic caps, retaining nuts and then wiper arms. Remove linkage from wiper motor crank arm by sliding back clips (away from motor). Remove three bolts from pivot shaft mounting bracket and remove assembly.

Installation — To install, reverse removal procedure.

WIPER MOTOR

NOTE — Windshield wiper motor is serviced as an assembly. Do not attempt to repair the motor.

Removal — Disconnect hoses at motor and tape ends of hoses to prevent loss of fluid or entrance of dirt or water into system. Loosen cable retaining screw at bottom of motor and remove pin from arm on motor assembly. Remove connector arms by sliding back clips and disconnecting arms from motor. Remove bolts securing motor to bracket and remove from vehicle.

Installation — To install, reverse removal procedures while noting the following: When installation completed, check power steering fluid level, operate wipers on a wet windshield and recheck fluid level. Check hose connections for fluid leaks.

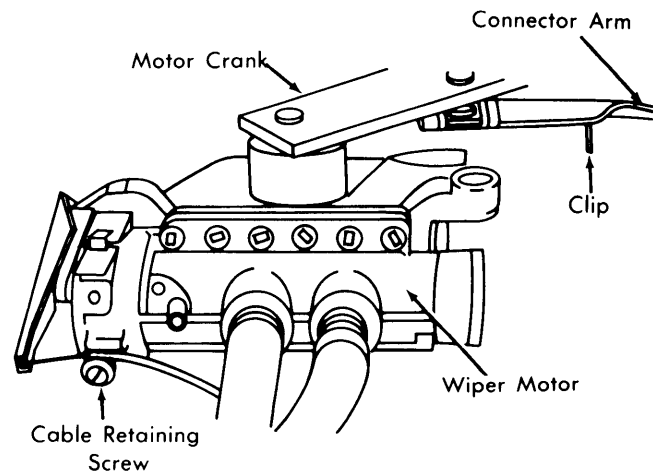


Fig. 2 Removing Wiper Motor Linkage