

Power Windows

GENERAL MOTORS TAILGATE

Chevrolet
Suburban
GMC
Suburban

DESCRIPTION

Window is operated by an instrument panel switch with the ignition switch at "ON" position, or an external key switch located in the tailgate door. A cutout switch prevents operation of the window by either switch when tailgate is open. When not completely closed, a tailgate ajar warning light will appear on the instrument panel. Window is controlled by a gearbox type regulator and 12 volt DC reversible direction motor with an internal circuit breaker. Circuit is also protected by a 30 ampere circuit breaker located at the fuse block. Window will retract into the tailgate door.

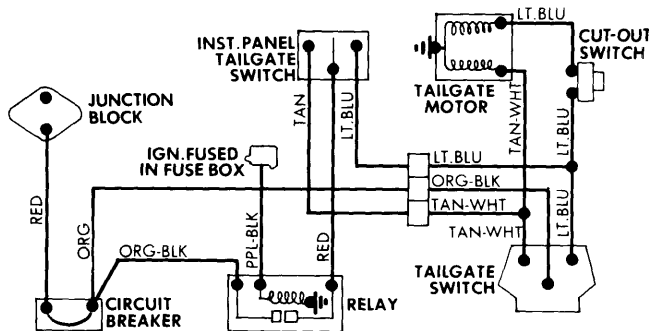


Fig. 1 General Motors Suburban Tailgate Power Window Wiring Diagram

TESTING

TAILGATE POWER WINDOW INOPERATIVE FROM PANEL OR TAILGATE KEY SWITCH

Check circuit breaker and replace if bad. If good, check motor ground. If good, check the Tan/White and Lt. Blue wires for short. If not shorted, replace window motor.

TAILGATE POWER WINDOW INOPERATIVE FROM PANEL SWITCH, OPERATES FROM TAILGATE KEY SWITCH

If current from fuse block is good, press switch to window "UP" position. Check Lt. Blue wire at back of switch. If no continuity exists, replace switch. If continuity is good, press switch to "DOWN" position and check Tan/White wire for continuity. If open, replace switch. If good, check window motor ground to body and Lt. Blue and Tan/White wires between switch and motor. **NOTE** — If switch operation is reversed, use same test procedure and replace tailgate key switch if necessary.

TAILGATE WINDOW WILL NOT CLOSE FROM PANEL SWITCH, OTHERWISE OPERATES

With ignition switch "ON", tailgate door open, put panel switch in "UP" position. Check Lt. Blue wire at back of switch. If no continuity exists, replace panel switch. If good, check Lt. Blue wire at cutout switch, also between cutout switch and motor. If wire is good, replace cutout switch.

TAILGATE WINDOW WILL NOT OPEN FROM TAILGATE KEY SWITCH, OTHERWISE OPERATES

Open tailgate door, turn key switch to "DOWN" position and check continuity of Tan/White wire between key switch and window motor. If open, replace key switch. **NOTE** — If window will not close, place switch in "UP" position and check Lt. Blue wire. If open, replace key switch.

REMOVAL & INSTALLATION

WINDOW MOTOR

Secure window regulator lift arms and remove window glass from lift arms. Drill a 1/8" hole through the sector gear and backplate. Install a sheet metal screw into the hole locking the sector gears in position. Remove motor attaching screws, motor and detach harness. To install, reverse removal procedure.