

Wiper/Washer Systems

VOLKSWAGEN

**Jetta, Quantum, Rabbit,
Rabbit Pickup, Scirocco & Vanagon**

DESCRIPTION

All models are equipped with 2-speed wipers. Rabbit, Rabbit Pickup and Vanagon models have an intermittent feature available as an option. This feature is standard on all other models. The washer motor is located in the side of the fluid reservoir and can be replaced separately.

The wiper control switch is the right-hand lever on the steering column. Rabbit and Scirocco models may be equipped with a rear wiper/washer system, operated by the same column lever.

OPERATION

When the wiper lever is moved up from the rest position, the wipers operate at low speed. Moving the lever another notch starts the high speed. Pulling the lever toward the steering wheel operates the washer.

Pushing the lever toward the dashboard actuates the rear system (wagons only). Pulling the lever down from the rest position selects the intermittent wiper cycle (if equipped). The wipers operate once every 6 seconds.

REMOVAL & INSTALLATION

FRONT WIPER MOTOR

NOTE: Removal & installation information for the Quantum was not available from manufacturer.

Removal (Jetta, Rabbit & Pickup)

Open hood and unplug wiring connector. Pry linkage off motor crank arm. Remove 4 bolts and motor. Do not remove motor bracket when removing motor.

Installation

Check crank arm alignment by running motor and allowing it to park. Crank arm should be at 20° angle to motor centerline. See Fig. 1. To complete installation, reverse removal procedure, installing left linkage rod first.

Removal (Scirocco)

Remove connecting linkage from motor crank arm. Unplug wiring. Remove wiper motor crank arm and 3

motor bolts. Slide motor out from beneath bracket and remove motor.

Installation

Check crank arm alignment by running motor and allowing it to park. Crank arm should be in line with the motor centerline, and linkage ball should point away from motor. See Fig. 1. Reverse removal procedure to complete installation.

Removal (Vanagon)

Remove wipers arms and shaft nuts. Remove glove box and instrument cluster. Remove wiper linkage rods by extending fully to passenger side. Remove wiper bracket bolts and bracket. Remove crank arm, 3 bolts and wiper motor.

Installation

Connect motor wiring, run motor and allow it to park. Align crank arm and linkage rod as shown. See Fig. 1. Reverse removal procedure to install.

REAR WIPER MOTOR

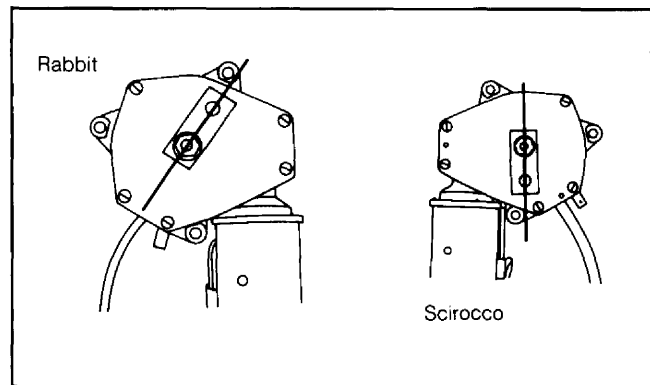
Removal

Remove inner trim panel on rear hatch. Unplug wiring and pry linkage off motor crank arm. Remove motor crank arm, motor bolts and motor.

Installation

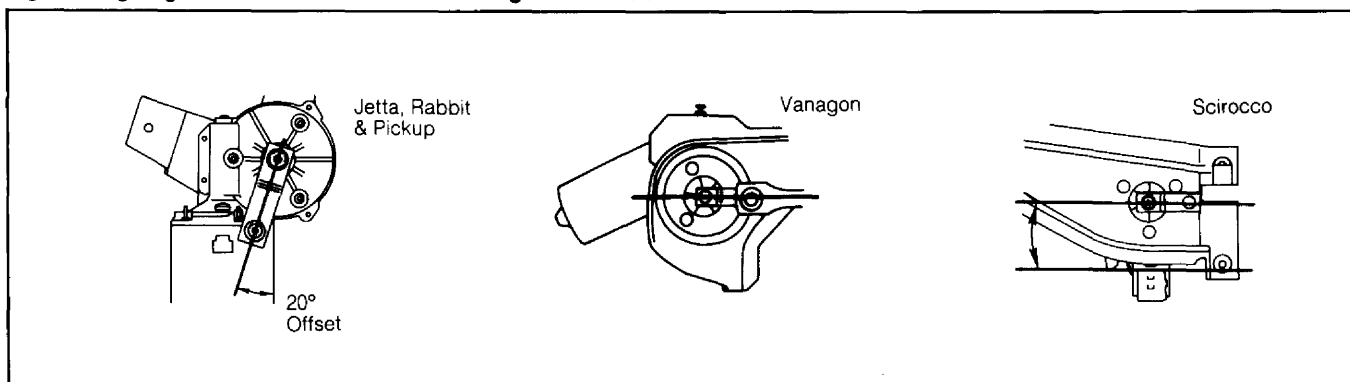
Check crank arm alignment by running motor and allowing it to park. Install crank arm in correct position. See Fig. 2. Reverse removal procedure to complete installation.

Fig. 2: Aligning Rear Motor Crank Arm During Installation



Motor must be in park position

Fig. 1: Aligning Front Motor Crank Arm During Installation



Motor must be in park position.

VOLKSWAGEN (Cont.)

Fig. 3: Jetta, Quantum & Rabbit Convertible Wiper System Wiring Diagram

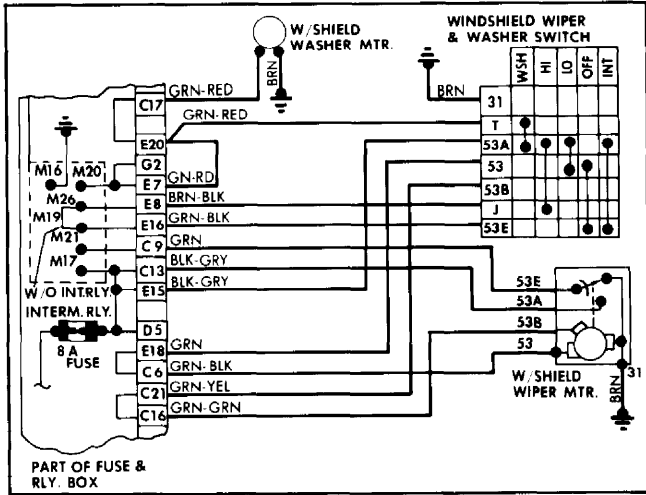


Fig. 4: Rabbit & Rabbit Pickup Wiper System Wiring Diagram

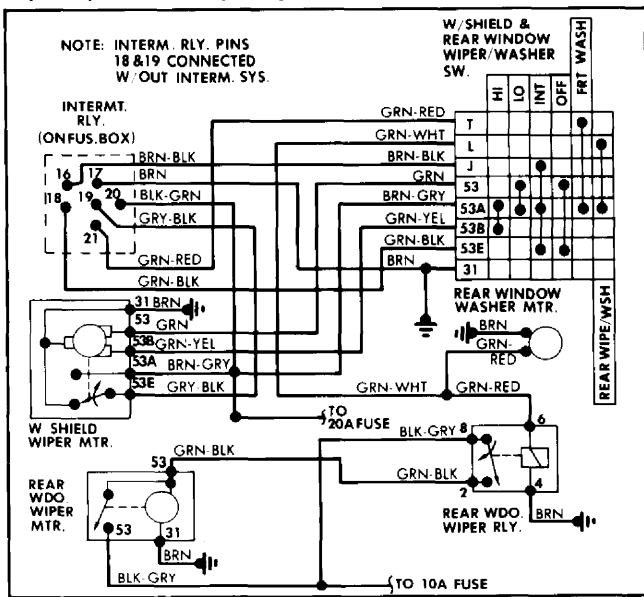


Fig. 5: Vanagon Wiper System Wiring Diagram

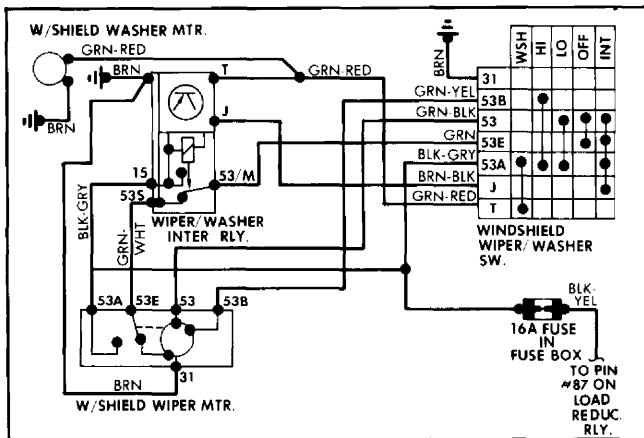


Fig. 6: Scirocco Wiper System Wiring Diagram

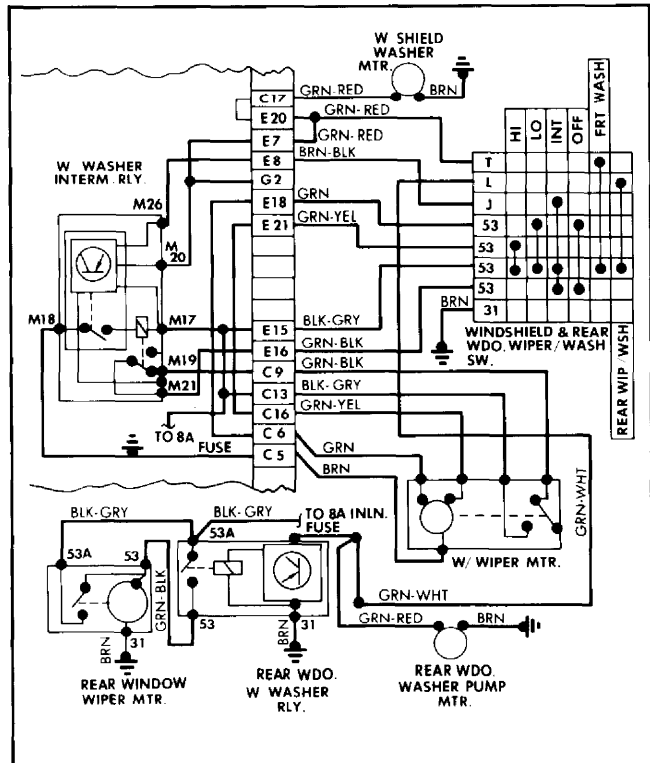


Fig. 7: Quantum Wiper System Wiring Diagram

