

Wiper/Washer Systems

RENAULT

DESCRIPTION

All models are equipped with 2-speed wiper motors. The Fuego and 18i also have an intermittent cycle. A rear wiper/washer is available on Fuego, Le Car and 18i Station Wagon.

The Le Car rear washer has a reservoir in the rear of the car, while 18i uses the front fluid reservoir. The 18i rear pump is inside the pillar behind the left rear door.

NOTE: Information on Fuego rear washer not available from manufacturer.

OPERATION

The wipers are controlled by the right column lever. Pulling the lever toward the steering wheel operates the washers. Moving the lever downward operates the intermittent cycle (Fuego and 18i only), low speed and high speed.

The rear wiper is controlled by a push button switch located on instrument panel. Hold the switch to operate the washer and wiper.

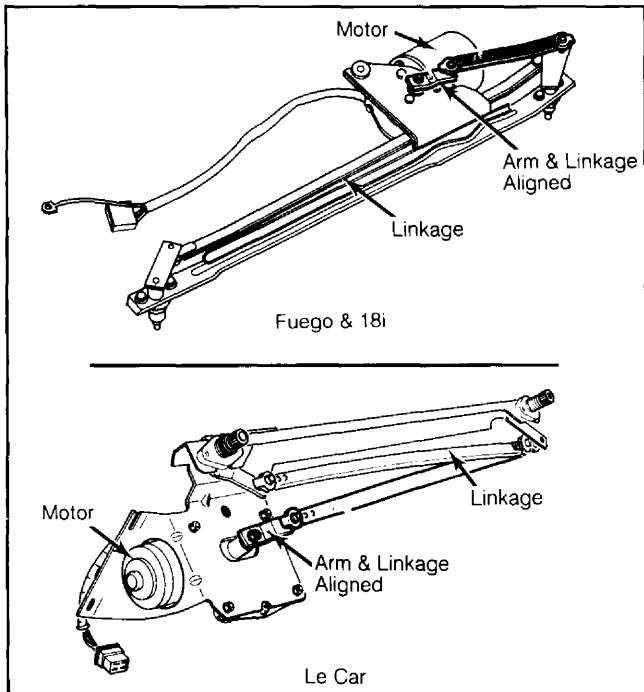
TESTING

WASHER MOTOR

1) If motor does not operate, connect a jumper wire from battery to the motor hot wire (ground wire will be Black). If motor still does not work, check pump motor ground connection.

2) If ground is good, replace motor. If motor operates in step 1), but not with switch, check wiring or replace switch.

Fig. 1: Wiper Motor Crank Arm Position



Motor must be in park position when nut is tightened.

REMOVAL & INSTALLATION

FRONT WIPER MOTOR

Removal (Fuego and 18i)

1) Remove wiper arms and shaft nuts. Remove electrical box, ground wire and motor plate bolt. Push shafts into body and slide motor assembly to the right.

2) Remove crank arm nut and motor bolts. Remove motor from linkage assembly.

Installation

Install motor on linkage assembly. Motor crank arm must be in line with linkage arm when motor is in park position. Reverse removal procedure to complete installation. See Fig. 1.

Removal (Le Car)

1) Raise base of wiper arm and remove nut. Pull off wiper arms and remove shaft nuts. Remove electrical box, 2 motor plate bolts and pull motor assembly out to the side.

2) Remove motor crank arm nut. Remove motor mounting bolts and pull motor from bracket.

Installation

Place motor on bracket and tighten bolts. Crank arm must be in line with linkage when motor is in park position. See Fig. 1. To complete installation, reverse removal procedure.

Fig. 2: Renault Fuego and 18i Wiper Wiring Diagram

