

Wiper/Washer Systems

JAGUAR

DESCRIPTION & OPERATION

Jaguar models have a 2-speed wiper system with intermittent feature. The wipers are controlled by a lever on the right side of the steering column. Moving the lever downward runs the wipers on the intermittent cycle. Moving the lever up operates the low and high speeds.

Pressing the button on the lever operates the washers. When the lever is pulled toward the steering wheel, the wipers work until it is released. The wiper system uses a relay to control the intermittent cycle. The relay is located under the right side of the instrument panel.

REMOVAL & INSTALLATION

WIPER MOTOR

Removal (XJ6)

Remove battery. Lift spring clip on wiper arms and remove arms. Disconnect cable from motor. Remove 2 nuts from motor clamp. Tilt motor towards engine and unplug wiring. Remove motor and drive assembly.

Installation

To install, reverse removal procedure. Run motor and allow wipers to park, then install wiper arms.

Removal (XJS)

1) Disconnect battery. Remove wiper arms and blades. Remove fixing bolts attaching air intake grille and remove grille and wiper assembly complete. Disconnect wiper motor harness. Remove gearbox securing nuts and bushings from gearbox spindles.

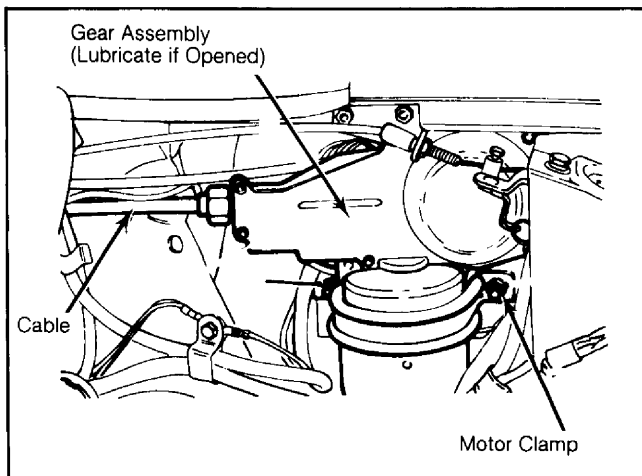
2) Separate wiper assembly from air intake grille. Disengage cable rack and connecting tubes from gearbox, and withdraw tubes and gearboxes from cable rack. Withdraw rack from wiper motor shroud and separate plastic shroud from wiper motor.

Installation

1) To install, fit the plastic shroud and tubes with gearboxes to the wiper motor. Attach motor assembly to air intake grille. Connect the wiring harness to the connector.

2) Secure air intake grille and wiper assembly to the vehicle. Connect the battery. Operate the wiper motor at slow speed and allow motor to park. Fit the wiper arms and blades in the park position and check operation.

Fig. 1: Removing XJ6 Wiper Motor Assembly



Remove battery, cable and motor clamp.

WIPER SWITCH

Removal

1) Disconnect battery ground. Remove steering column lower cover. Remove clamp bolt (beneath column) that holds adaptor. Loosen lock nut and back out set screw 2 turns. Remove steering wheel.

2) Remove insulation panel under left side of dashboard. Remove upper column cover. Loosen clamp and remove switch assembly. Unplug wiring, remove 2 screws and separate wiper switch.

Installation

To install, reverse removal procedure.

Fig. 2: Jaguar Wiper/Washer Wiring Diagram

