

Wiper/Washer Systems

ISUZU & LUV

DESCRIPTION & OPERATION

All models have a 2-speed wiper system with washer. The control switch is on a steering column lever. I-Mark models may have an intermittent system which gives a short delay between wiper cycles.

The delay relay is mounted in a box near the windshield washer reservoir. It cannot be serviced. If defective, the relay must be replaced.

TROUBLE SHOOTING

WIPER ACTION SLUGGISH OR UNEVEN

Worn or binding linkage. Poor ground connection. Worn motor brushes.

WIPER DOES NOT PARK OR DOES NOT STOP

Dirty contact points in park switch at motor. Shorted or open wiring. Bad wiper switch.

WIPER DOES NOT OPERATE

Blown fuse. Open wiring circuit. Bad wiper switch. Defective wiper motor.

REMOVAL & INSTALLATION

WIPER MOTOR

Removal (I-Mark)

Disconnect battery ground. From underneath instrument panel, remove nut and crankarm from motor. Unplug wiring. Remove 3 nuts and motor assembly.

Installation

To install, reverse removal procedure.

Removal (LUV & P'UP)

Remove 4 motor mounting bolts. Unplug wiring. Pull motor out part of the way and remove shaft nut. Remove motor.

Installation

To install, reverse removal procedure.

WIPER LINKAGE

Removal (I-Mark)

1) Disconnect battery ground. Remove wiper arm nuts and wiper arms. Remove steering wheel. Remove instrument cluster. Reach through cluster opening and pry linkage arm from shaft assembly.

2) Remove 3 screws and left shaft assembly. Remove glove box. Pry linkage arm from shaft assembly. Remove 2 screws and right shaft assembly.

Installation

To install, reverse removal procedure.

Removal (LUV & P'UP)

1) Remove wiper arm covers, nuts and wiper arms. Remove pivot shaft nuts and push shafts into cowl. Remove access covers on cowl (in engine compartment).

2) Remove wiper motor bolts. Unplug wiring. Remove motor complete with linkage. Disengage finger on link retainer from hole in link. Disconnect link by turning retainer clockwise.

Installation

To install, reverse removal procedure.

WIPER SWITCH

Removal (I-Mark)

Disconnect battery ground. Remove steering wheel. Remove steering column covers. Unplug wiring. Remove 2 screws and wiper switch.

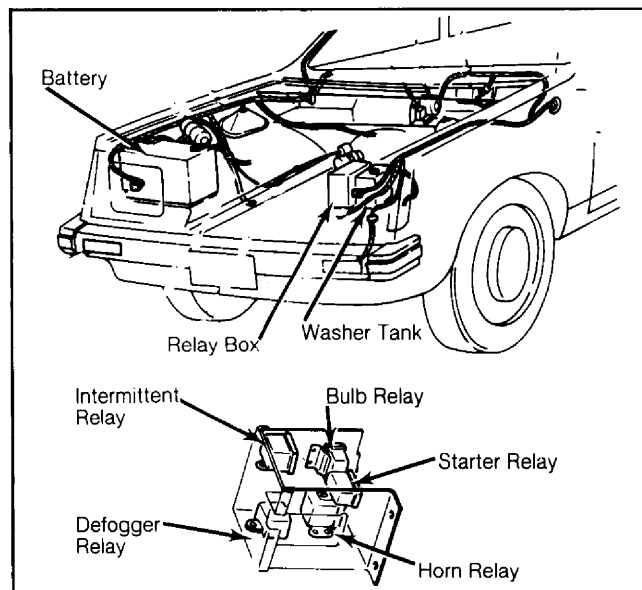
Installation

To install, reverse removal procedure.

Removal (LUV & P'UP)

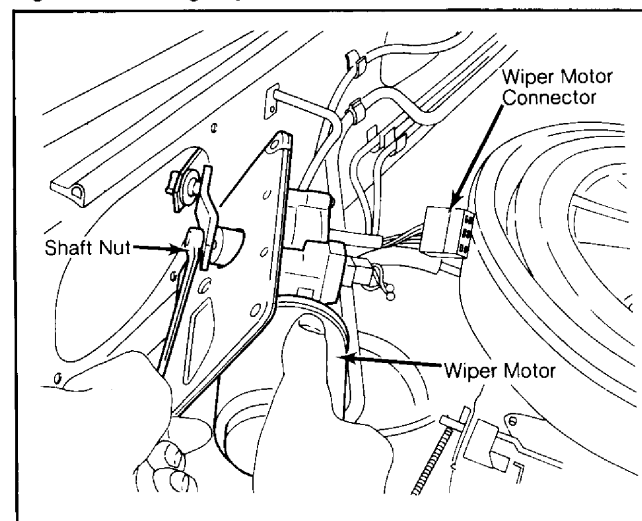
Disconnect battery ground. Remove steering column covers. Unplug wiring. Remove steering wheel, using "C" clamp type puller (GM No. J-24292-A). Remove 2 screws and combination switch.

Fig. 1: Location of I-Mark Intermittent Wiper Relay



Remove relay box to gain access.

Fig. 2: Removing Wiper Motor on LUV and P'UP



Do not bend linkage while removing shaft nut.

Wiper/Washer Systems

ISUZU & LUV (Cont.)

Fig. 3: I-Mark Wiper/Washer Wiring Diagram

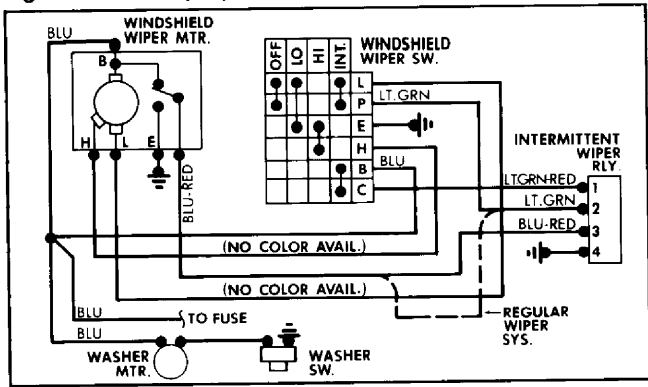


Fig. 4: LUV and P'UP Wiper/Washer Wiring Diagram

