

FIAT

DESCRIPTION & OPERATION

All models have electric wipers with washer. The Spider 2000 has a wiper lever on the steering column that selects off, intermittent and constant speeds. A second dashboard knob on the Spider 2000 selects high or low speed. X1/9 models have a slow and fast speed plus intermittent. Lifting the lever toward the steering wheel operates the washers on all models.

REMOVAL & INSTALLATION

WIPER MOTOR

NOTE: Procedures for Spider 2000 were not available.

Removal (X1/9)

1) Open hood. Disconnect wiring, remove cowl grommet bolts and push connector through to rear side of cowl panel. Remove left wiper arm and shaft nuts and spacers.

2) Remove motor crank arm nut. Remove motor bracket bolts and move bracket around inside cowl to access motor-to-bracket bolts. Remove wiper motor.

Installation

To install, reverse removal procedure.

WIPER SWITCH

Removal

Disconnect battery ground. Remove horn button and steering column covers. Remove steering shaft nut and pull off steering wheel. Loosen switch bolt and pull column switch assembly off column shaft. Disconnect wiring and remove switch.

Installation

To install, reverse removal procedure.

Fig. 2: X1/9 Wiper Wiring Diagram

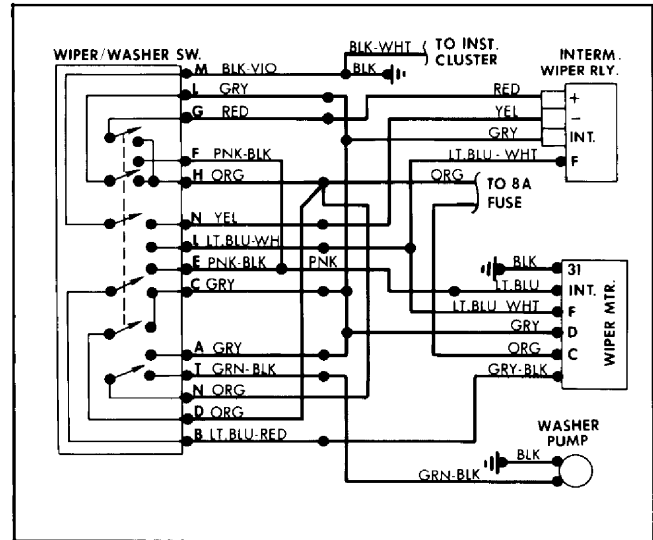


Fig. 1: Spider 2000 Wiper Wiring Diagram

