

Wiper/Washer Systems

AUDI 4000, 5000 & Quattro

DESCRIPTION & OPERATION

NOTE: Information for Quattro model was not available from manufacturer.

All models have a 2-speed wiper system with an intermittent cycle. The washer pump is located in the right side of the fluid reservoir. The system is controlled by the right steering column lever.

On 5000 models, moving the lever to the first position selects the intermittent cycle. The second position operates the low speed, and the third selects high speed.

On 4000 models, the lever operates the intermittent feature when it is moved down from the rest position. Moving the lever up selects the two constant speeds. Pulling the lever toward the wheel (on all models) operates the washer pump.

REMOVAL & INSTALLATION

WIPER MOTOR

Removal

Open hood and remove cowl cover if necessary. Pry linkage rods off motor crank arm. Remove crank arm nut and 3 motor bolts. Remove crank arm from the shaft, then remove motor.

Installation

Install motor on bracket and connect wiring. Run motor and allow it to park. Install crank arm on 4000 models as shown. See Fig. 1. On 5000 models, crank arm should be pointing to right side of motor, at a right angle to motor centerline. Install crank arm and motor shaft nut, then slip linkage rods onto crank arm joint.

WIPER SWITCH

Removal & Installation (4000)

Remove steering wheel. Remove steering column cover. Remove 3 screws on turn signal switch. Pull turn signal switch and wiper switch from column. To install, reverse removal procedure.

Removal & Installation (5000)

Remove steering wheel. Insert Phillips screwdriver into slot at bottom of column cover and loosen screw. Pull switch and top of cover assembly off column. Remove 2 screws inside cover to remove switch from cover. To install, reverse removal procedure.

Fig. 1: Installing Wiper Motor Crank Arm

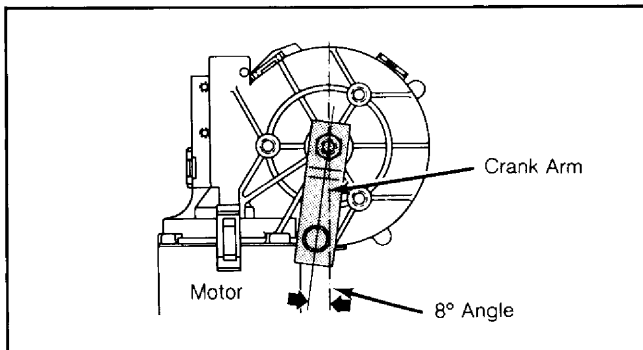


Figure applies to 4000 models only.

Fig. 2: Audi 4000 Wiring Diagram

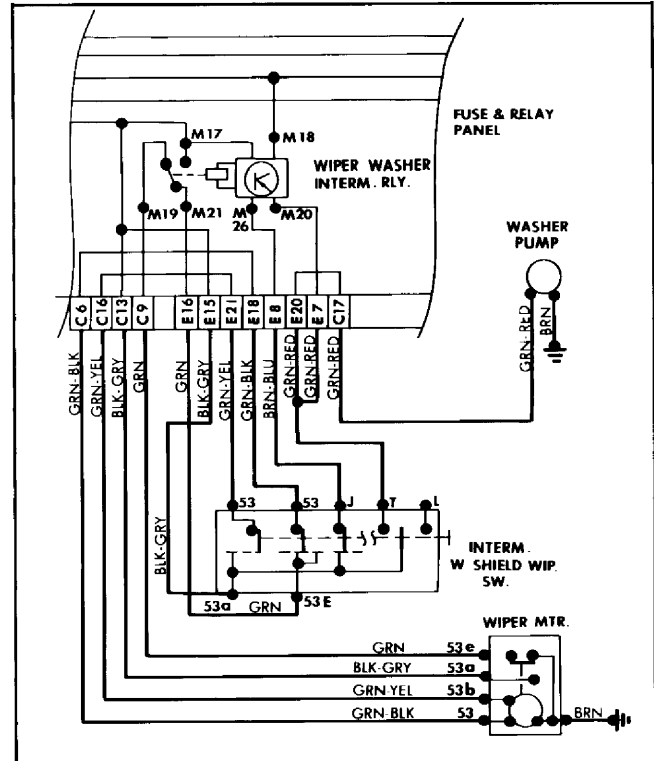


Fig. 3: Audi 5000 Wiring Diagram

