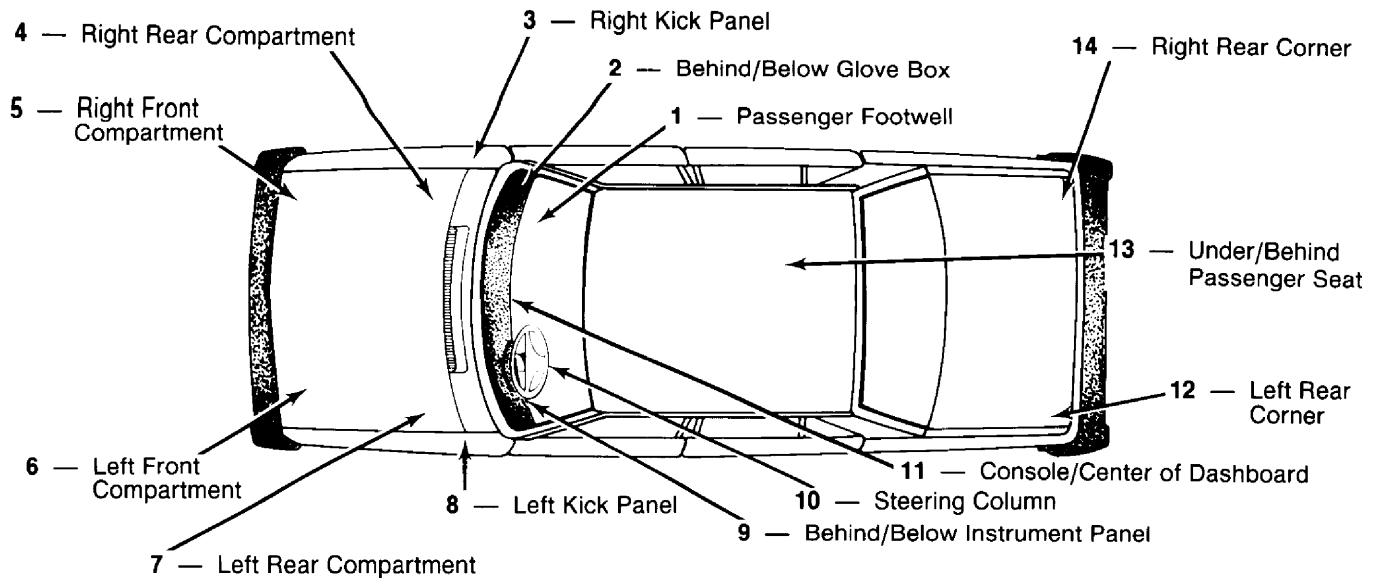


Fuse Blocks, Flashers & Relays

SAAB — VOLVO



FUSE BLOCKS, FLASHERS & RELAYS

Manufacturer & Models	Fuse Locations	Flasher Locations	Relay Locations
Saab 900 & 900 Turbo	7	9	9 Wiper; 5 Oxygen Sensor; 7 Others
Subaru All Models	9	9	13 Ignition
Toyota Celica	8	9	6 Dimmer, Headlight, Tail Light, Main; 9 Overdrive; 3 Heater, Wiper; 8 Others
Corolla	3, 6, 8	9	8 Tail Light; 9 Seatbelt; 3 Charge, Heater; 6 Others
Corona	9, 5	9	3 Light Control, Light Reminder; 14 Rear Wiper; 5 Charge Light, Headlight, Main; 8 Others
Cressida	3, 6, 8	8	6 EFI, Main; 11 Overdrive, Headlights; 4 Others
Land Cruiser	9, 4	9	7 Starter; 3 Charge; 9 Others
Pickup	9	11	3 Clock, Wiper; 8 Discharge Light; 2 Seatbelt
Starlet	9	9	3 Seatbelt Warning; 8 Headlight Cleaner; 9 Others
Supra	9, 5	11	6 Dimmer, Interior Light Control, Headlight, Tail Light; 3 Front Pump, Heater; 9 Overdrive; 14 Light Retractor; 4 Main; 8 Others
Tercel	9, 6	9	9 Overdrive, Seatbelt Warning, Turn Signal; 8 Defogger, Discharge Light, Heater, Wiper; 6 Other
Volkswagen Jetta	9	9	9
Quantum	9	9	9
Rabbit	9	9	9
Rabbit Pickup	9	9	9
Scirocco	9	9	9
Vanagon	9	9	2 Aux. Heater; 9 Others
Volvo All Models	8	11	7 Cooling Fan, Glow Plug; 9 Delay Interval Light; 8 Fuel Pump, Wiper; 10 Seat Belt; 6 Headlight; 11 Others

NOTE: Locate the make and model of the vehicle in the left column. Use the numbers listed under the appropriate column (Fuse Blocks, Flashers or Relays) and refer to illustration above to find the general area where component is located.