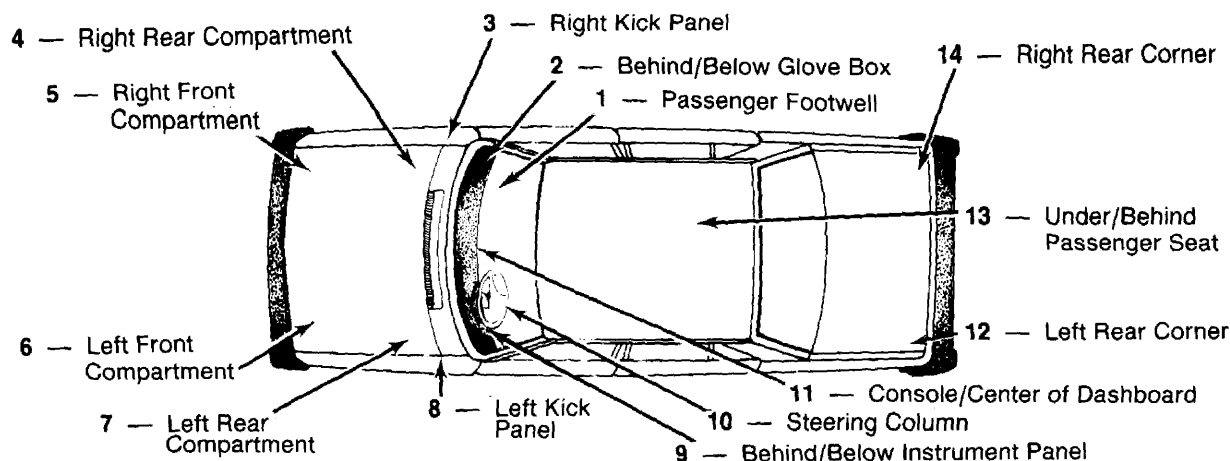


## HONDA — RENAULT



### FUSE BLOCKS, FLASHERS & RELAYS

Manufacturer & Models	Fuse Locations	Flasher Locations	Relay Locations
Honda			
Accord	9	9	5 A/C, Cooling Fans; 9 Others
Civic	9	9	5 A/C, Cooling Fans; 9 Others
Prelude	9	9	8 Horn, Bypass Valve; 6 A/C, Main, Cooling Fan; 7 Heater Fan; 9 Others
Isuzu & LUV			
I-Mark	8	9	9 Heater; 6 Others
Pickups	7	9	4 Glow Plugs; 9 Heater; 7 Fuel Pump; 6 Others
Jaguar			
XJ6	9, 2, 6	2	9 A/C, Heater; 5 Horn; 2 Back-Up Light, Fuel Pump Protection, Ignition Load, Starter; 6 Dimmer, Cold Start, Fuel Pump
XJS	9	2	12 Antenna; 6 Cooling Fan, Dimmer, Horn; 14 Fuel Pump; 4 Starter Injector, Starter; 2 Others
Mazda			
B2000 & B2200	7	9	4 Check & Choke; 7 Glow Plug; 6 Horn; 8 Buzzer, 3-Point; 9 Others
GLC Hatchback	9	9	6 3-Point, Horn; 9 Others
GLC Wagon	9	9	6 Check & Choke; 4 Carb. Richer; 5 Horn
RX7	9	8	7 Check & Choke; 8 Others
626	9	8	6 Check; 8 Others
Mercedes-Benz			
240D	7	11	12 Antenna; 9 Windows, Defogger; 6 Others
300D, CD & TD	7	11	12 Antenna; 9 Power Windows; 6 Others
300SD	7	11	6 Glow Plug, Antenna; 7 Others
380SL	1	11	12 Antenna; 2 Fuel Pump; 8 Others
380 SEC & SEL	1	9	8 Seat Belt; 12 Antenna; 7 Others
Peugeot			
504	9	9	7 Starter; 9 Others
505	7	11	6 Cooling Fan, Starter; 9 Cruise Control, Fuel Pump; 5 Others
604	9	11	5 Fan, Coil; 9 Others
Porsche			
911SC	6, 12	9	6
924 & 924 Turbo	9	9	9
928	1	3	11 Seat Belt; 12 Rear Wiper; 13 Seat Release; 3 Others
944	9	9	9 Fan, Fuel Pump, A/C, Headlight Washer, Defogger, Horn, Wipers, Turn Signals
Renault			
Fuego	9	7	13 Injector; 7 Others
Le Car	11	10	10 Seat Belt
18i	9	9	7

**NOTE:** Locate the make and model of the vehicle in the left column. Use the numbers listed under the appropriate column (Fuse Blocks, Flashers or Relays) and refer to illustration above to find the general area where component is located.