

## VOLKSWAGEN

Dasher  
Jetta  
Rabbit

Rabbit Pickup  
Scirocco  
Vanagon

## DESCRIPTION

All models are equipped with 2-speed wipers. Rabbit, Rabbit Pickup and Vanagon models have an intermittent feature available as an option. This feature is standard on all other models. The washer motor is located in the side of the fluid reservoir and can be replaced separately. The wiper control switch is the right-hand lever on the steering column. Rabbit and Scirocco models may be equipped with a rear wiper/washer system, operated by the same column lever.

## OPERATION

When the wiper lever is moved up from the rest position, the wipers operate at low speed. Moving the lever another notch starts the high speed. Pulling the lever toward the steering wheel operates the washer. Pushing the lever toward the dashboard starts the rear system (if equipped). Pulling the lever down from the rest position selects the intermittent wiper cycle (if equipped). The wipers operate once every 6 seconds.

## REMOVAL &amp; INSTALLATION

## FRONT WIPER MOTOR

**Removal (Dasher)** — Disconnect battery ground cable. Pry off wiper shaft cap and remove nut and wiper arms. Remove nuts, washers and seals from shafts. Open hood and unplug wiring. Remove wiper bracket bolt and remove bracket assembly with motor. Use a screwdriver to pry linkage off motor crank arm.

**Installation** — If motor crank has been removed or motor is changed, check crank arm alignment. Connect wiring plug and allow motor to run briefly. Stop motor and allow it to park. Crank arm should be at 90° angle to motor centerline. See Fig. 1. Reverse removal procedure to complete installation.

**Removal (Jetta, Rabbit & Pickup)** — Open hood and unplug wiring connector. Pry linkage off motor crank arm. Remove 4 bolts and motor.

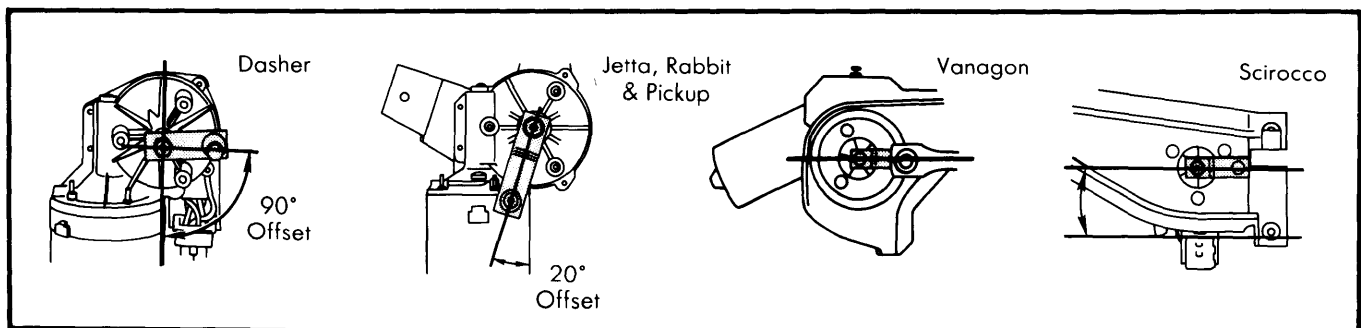


Fig. 1 Aligning Front Motor Crank Arm During Installation. Motor Must Be in Park Position.

**NOTE** — Do not remove motor bracket when removing motor.

**Installation** — Check crank arm alignment by running motor and allowing it to park. Crank arm should be at 20° angle to motor centerline. See Fig. 1. To complete installation, reverse removal procedure, installing left linkage rod first.

**Removal (Scirocco)** — Remove connecting linkage from motor crank arm. Unplug wiring. Remove wiper motor crank arm and 3 motor bolts. Slide motor out from beneath bracket and remove motor.

**Installation** — Check crank arm alignment by running motor and allowing it to park. Crank arm should be in line with the motor centerline, and linkage ball should point away from motor. See Fig. 1. Reverse removal procedure to complete installation.

**Removal (Vanagon)** — Remove wipers arms and shaft nuts. Remove glove box and instrument cluster. Remove wiper linkage rods by extending fully to passenger side. Remove wiper bracket bolts and bracket. Remove crank arm, 3 bolts and wiper motor.

**Installation** — Connect motor wiring, run motor and allow it to park. Align crank arm and linkage rod as shown. See Fig. 1. Reverse removal procedure to install.

## REAR WIPER MOTOR

**Removal** — Remove inner trim panel on rear hatch. Unplug wiring and pry linkage off motor crank arm. Remove motor crank arm, motor bolts and motor.

**Installation** — Check crank arm alignment by running motor and allowing it to park. Install crank arm in correct position. See Fig. 2. Reverse removal procedure to complete installation.

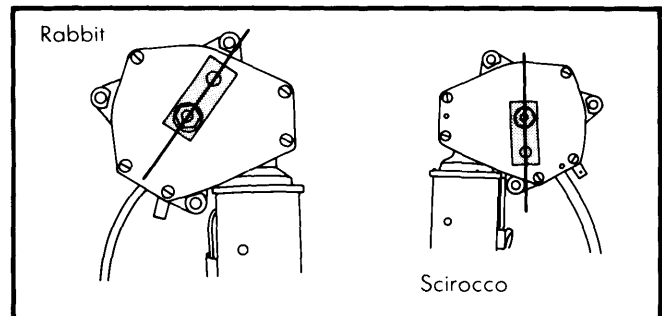
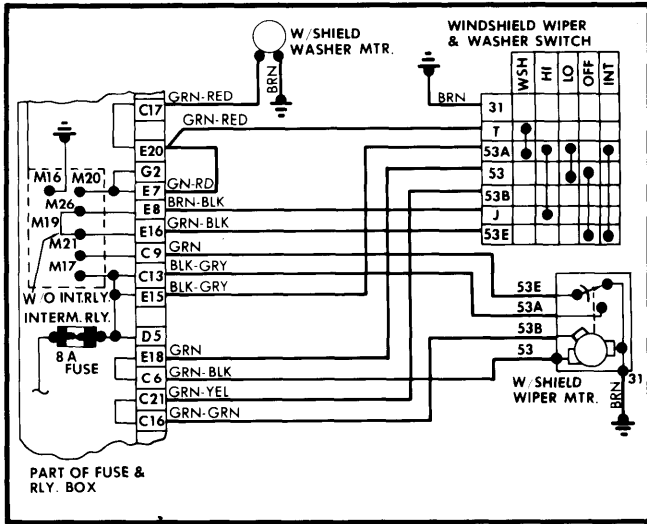


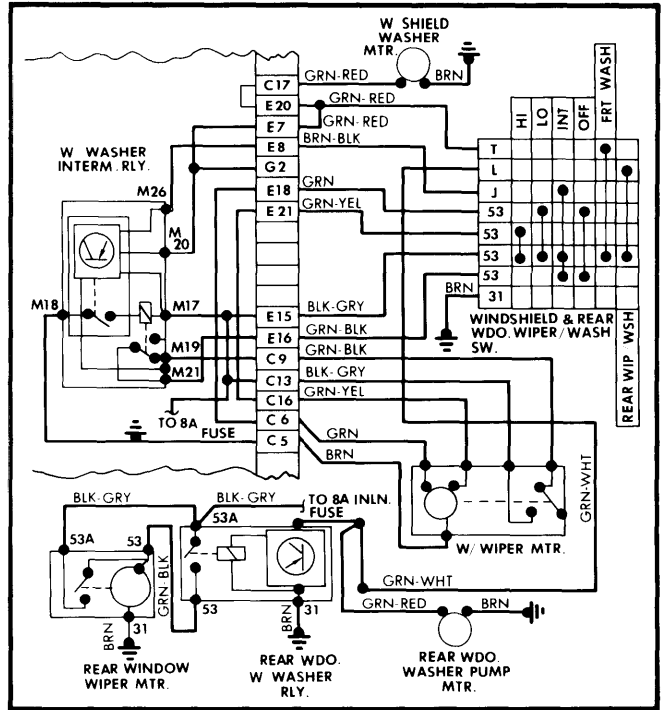
Fig. 2 Aligning Rear Motor Crank Arm During Installation. Motor Must Be in Park Position.

## VOLKSWAGEN (Cont.)

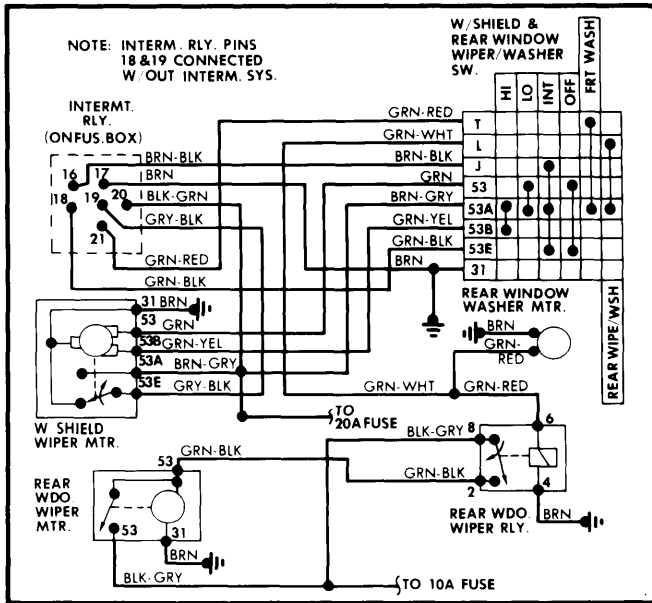
ACCESSORIES & EQUIPMENT



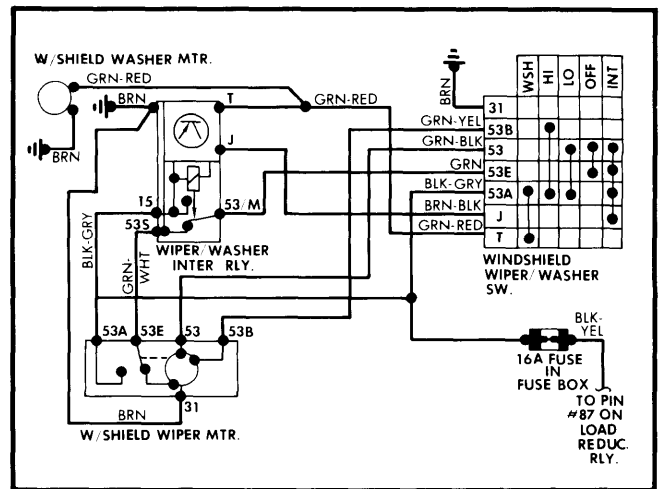
**Fig. 3 Dasher, Jetta & Rabbit Convertible Wiper System Wiring Diagram**



**Fig. 5 Scirocco Wiper System Wiring Diagram**



**Fig. 4 Rabbit & Rabbit Pickup Wiper System Wiring Diagram**



**Fig. 6 Vanagon Wiper System Wiring Diagram**