

TOYOTA

Celica
Corolla
Corona
Cressida
Land Cruiser

Pickup
Starlet
Supra
Tercel

DESCRIPTION & OPERATION

All models have a 2-speed front wiper motor that operates the wipers through a linkage system. Most models are equipped with an intermittent feature on the front wiper system. An wiper control relay is used on those systems to allow the delayed wiping action. All models except Pickup may be equipped with a rear wiper/washer system. Corona models have a rear wiper relay located at the rear wiper motor.

The control switch for the front wiper/washer system is a steering column lever. It is part of the combination switch but can be replaced separately on all models except Celica, Starlet and Tercel. All front wiper motors are protected by an internal circuit breaker. The rear wiper/washer system is controlled by a dash or console switch.

TESTING

FRONT WIPER MOTOR

1) Unplug connector at wiper motor. Use an ohmmeter to check continuity between motor case and ground. If not present, repair motor ground. Make sure motor is in park position, then check that continuity exists between terminals "+1", "+2" and "S". No continuity should exist between "B" and all other connector terminals. See Fig. 1.

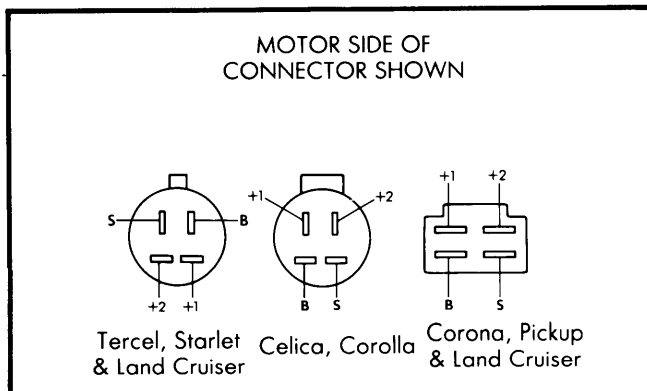


Fig. 1 Front Wiper Motor Terminal Locations for Jumper Wires and Continuity Checks

2) Turn ignition on. Use harness side of connector for this test. Battery voltage should be present at terminal "B". If not, check fuse and wiring.

3) Connect a jumper wire from battery voltage to terminal "+1" on motor connector to run motor at low speed, and to terminal "+2" for high speed.

REAR WIPER MOTOR

1) Unplug connector at wiper motor. Use an ohmmeter to check for continuity between motor case and ground. Be sure motor is in park position, then check for continuity between terminals "+1", "S" and ground. See Fig. 2.

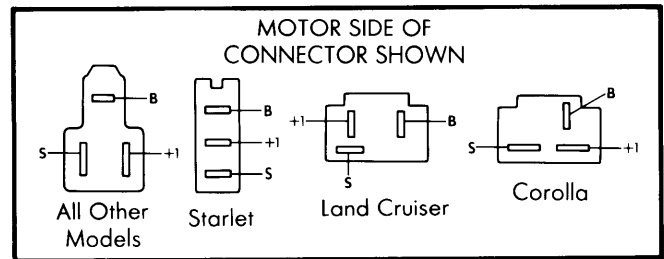


Fig. 2 Rear Wiper Motor Terminal Locations for Jumper Wires and Continuity Check

2) With ignition on, voltage should be present at terminal "B". Connect a jumper wire from battery voltage to motor connector terminal "+1" to check motor operation.

WIPER CONTROL RELAY

Ensure wiper system is operating correctly except for the intermittent wipers. Check that battery voltage is available at wiper relay. If voltage is available and intermittent wipers do not operate properly, replace relay.

Wiper Control Relay Location		
Model	Connector	Location
Celica	4-Pin	Left kick panel
Corolla	4-pin	Right kick panel
Corona	4-pin	Left kick panel
Cressida	6-pin	Right kick panel
Land Cruiser	5-pin	Under instru. cluster
Pickup	4-pin	Right kick panel
Starlet	4-pin	Left kick panel
Supra	9-pin	Right kick panel
Tercel	4-pin	Left kick panel

REMOVAL & INSTALLATION

FRONT WIPER MOTOR REMOVAL

Removal (Pickup & Starlet) — Remove wiper arm shaft nuts and arms. Use screwdriver to pry wiper linkage from motor arm. Disconnect wiring and remove wiper motor. Scribe alignment marks on motor shaft and arm before removing arm. Remove pivot shaft nuts and remove linkage.

Installation — Grease linkage joints and install linkage and motor. Turn wipers on, then off. After motor has parked, install wiper arms.

Wiper/Washer Systems

TOYOTA (Cont.)

Removal (Corolla, Corona & Cressida) — Remove wiper arm shaft nuts and arms. Remove cowl grille panel and access covers. Disconnect wiring and remove wiper motor bolts. Pry wiper arm from linkage. Remove wiper motor. Scribe alignment marks on motor shaft and arm before removing arm. Pry linkage from pivot shaft. Remove arm shaft screw, then remove pivot and linkage.

Installation — Grease linkage joints and install linkage and motor. Turn wipers on, then off. After motor has parked, install wiper arms.

Removal (Land Cruiser) — Remove wiper arm shaft nuts and arms. Remove shaft cover and screw at each wiper shaft. Remove service covers at left and center of cowl. Remove motor plate screws. Pull motor, plate and linkage out to the right. Pry link off motor arm and remove motor plate.

Installation — Lubricate linkage. Insert linkage and motor into cowl opening. Guide link under cowl reinforcement. Run motor and allow to stop in park position, then install wiper.

NOTE — No procedures were available for Tercel models.

Removal (Celica & Supra) — Remove wiper arm shaft nuts and wiper arms. Remove cowl grille panel and access hole covers. Pry linkage from wiper motor arm. Unplug wiring and remove wiper motor. Pry linkage from pivot shaft. Remove arm shaft screw, then remove pivot and linkage.

Installation — To install, lubricate linkage points and reverse removal procedure. Run motor and allow it to stop in park position, then install wiper arm.

REAR WIPER MOTOR REMOVAL

Removal (All Models) — Remove wiper arm shaft nut and wiper arm. Remove shaft bushings. Open rear door and remove inner trim panel. If motor is attached to linkage, disconnect wiper motor arm from linkage. Remove motor.

Installation — To install, reverse removal procedure. Before installing wiper arm, run motor and allow it to stop in park position. Install wiper arm.

WIPER SWITCH

Removal (All Models) — 1) Disconnect battery ground cable. On Corolla, remove instrument cluster bezel. On

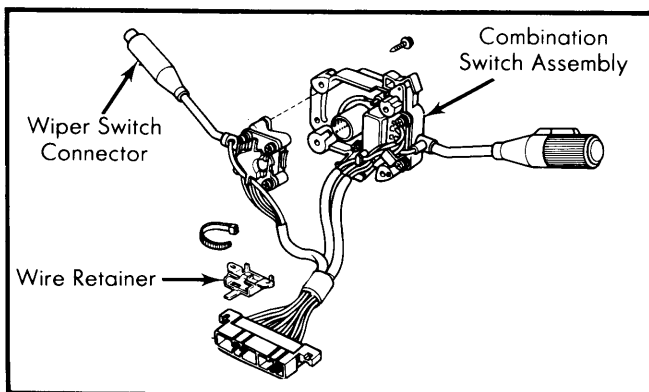


Fig. 3 View of Toyota Combination Switch Showing Wiper Switch Removal

Corona, remove fuse block cover and hood release lever. On all models, remove trim panel under steering column. Remove column covers.

2) Remove horn button and pull off steering wheel. Press in locking tabs on connector and unplug it. Remove mounting screws and combination switch. On models with multi-piece switch, remove wiper switch screws. Mark wire terminals and remove from connector.

Installation — To install, reverse removal procedure.

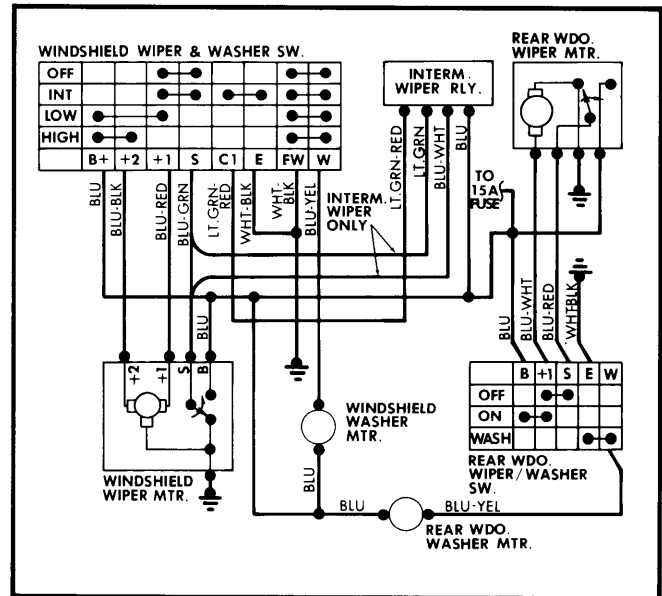


Fig. 4 Celica Wiper Wiring Diagram

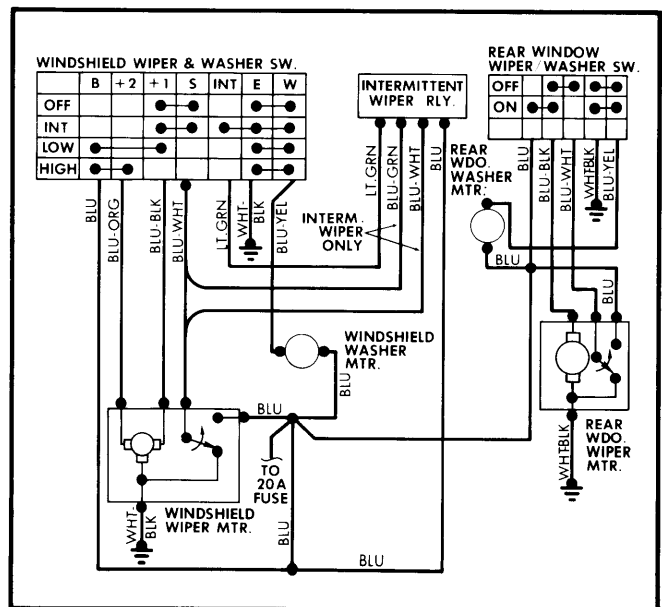


Fig. 5 Corolla Wiper Wiring Diagram

Wiper/Washer Systems

TOYOTA (Cont.)

ACCESSORIES & EQUIPMENT

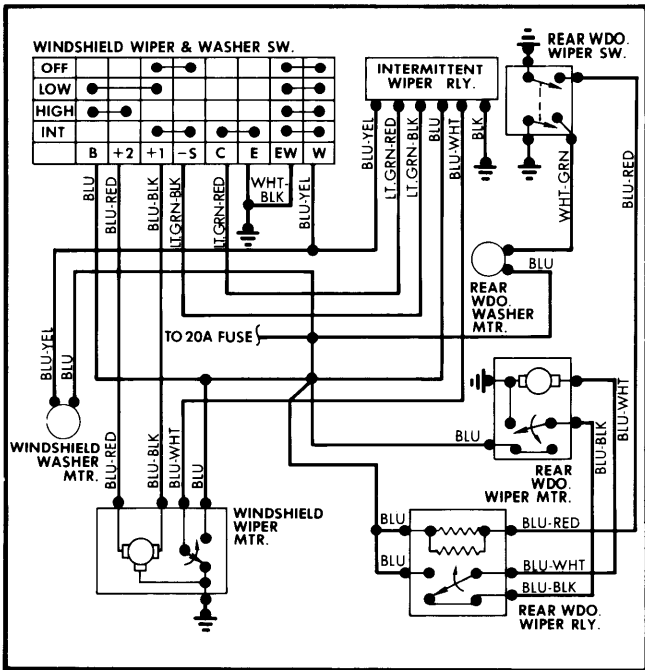


Fig. 6 Corona Wiper Wiring Diagram

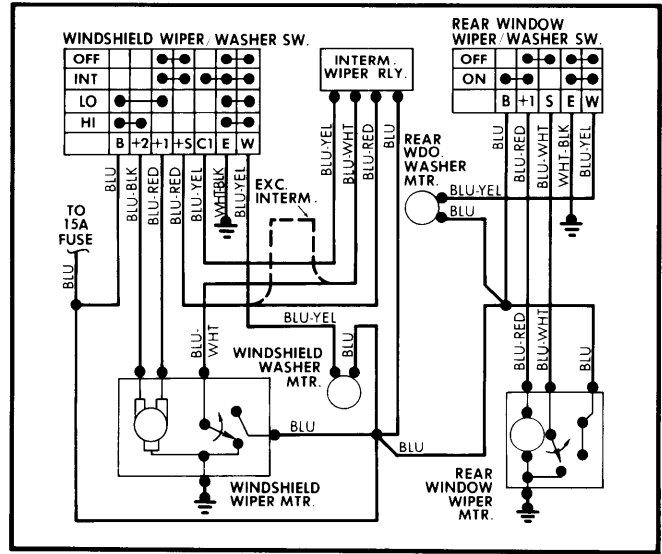


Fig. 9 Land Cruiser FJ60 Wiper Wiring Diagram

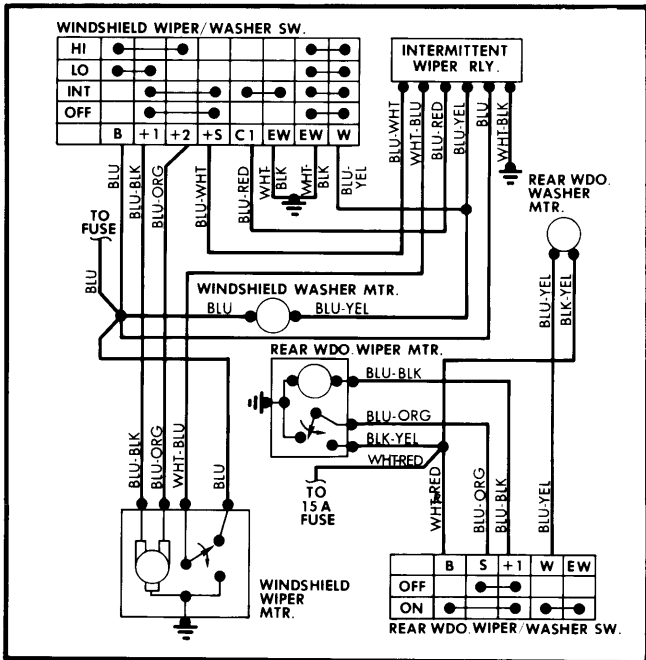


Fig. 7 Crossida Wiper Wiring Diagram

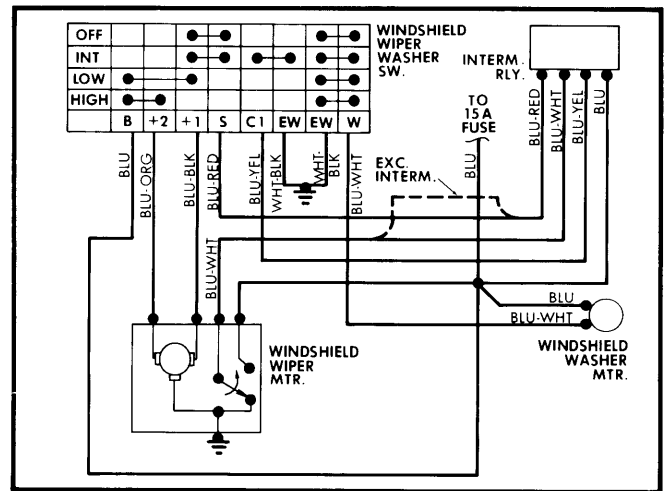


Fig. 10 Pickup Wiper Wiring Diagram

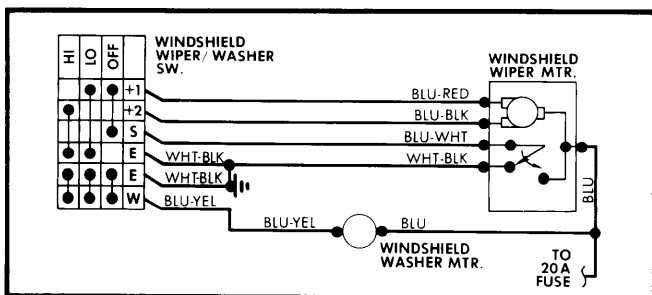


Fig. 8 Land Cruiser FJ40 Wiper Wiring Diagram

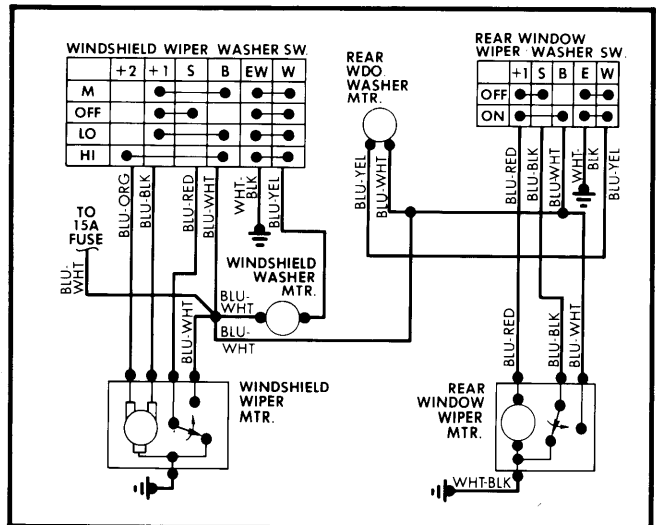


Fig. 11 Starlet Wiper Wiring Diagram

Wiper/Washer Systems

TOYOTA (Cont.)

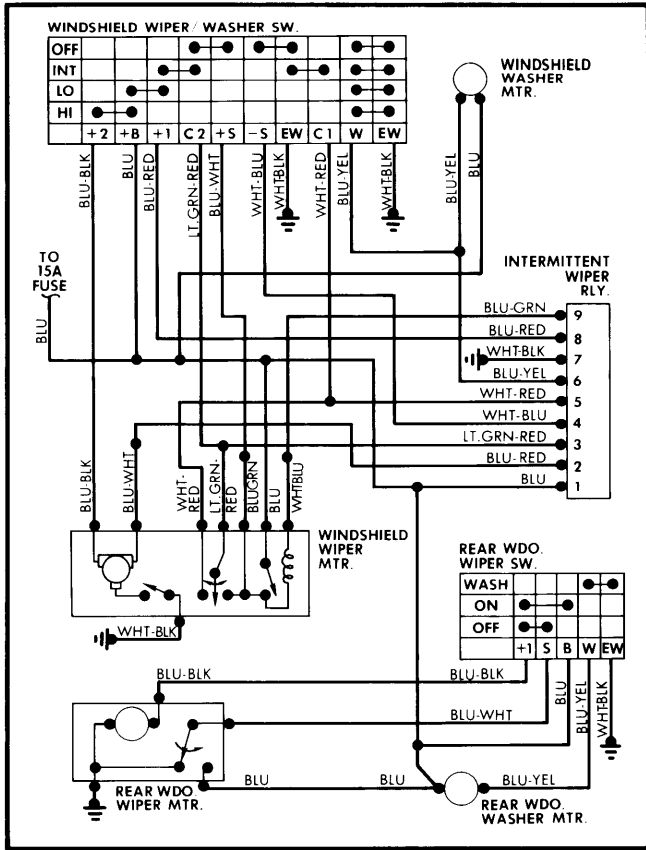


Fig. 12 Supra Wiper Wiring Diagram

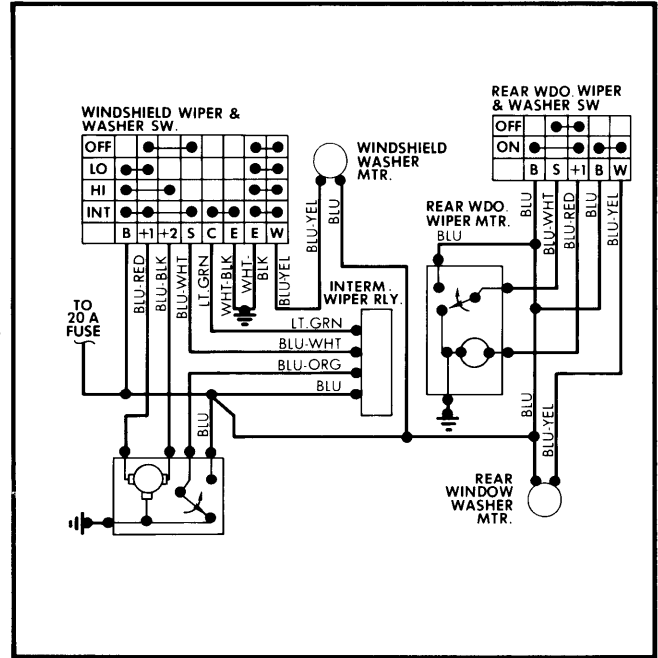


Fig. 13 Tercel Wiper Wiring Diagram