

SUBARU

DL
GL
GLF

REMOVAL & INSTALLATION

DESCRIPTION

The wiper/washer system includes a 2-speed motor, separate washer pump and rotary switch. The switch is located at the right side of the instrument cluster. GL and GLF models have an intermittent system. Hatchback and Station Wagon models may be equipped with a rear window wiper/washer.

OPERATION

The standard wiper system has 2 speeds. The washer is operated by pushing in the button at the end of the wiper switch. The intermittent system has a third switch position that selects the delayed cycle. No time adjustment is possible. If the washer button is pressed on this system, the washer will operate and the wipers will run for 4 cycles, then turn off.

The rear wiper is operated by the ring on the wiper switch. Turning it to the first position starts the wiper. The second position operates the washer.

FRONT WIPER ASSEMBLY

Removal — 1) Pull up arm shaft covers and remove shaft nut. Pull off wiper arms. Unplug wiring at motor. Remove 5 cowl panel screws and lift off cowl panel.

2) Cut a short section of metal tubing the same inner diameter as the outer diameter of the plastic joint on motor shaft. Press tubing down over joint to disconnect rod from wiper motor. Remove wiper motor bolts and motor.

Installation — To install, reverse removal procedure. Place wiper arm with red mark on driver's side. Adjust arms so blades stop about 0.6" (15 mm) above bottom of glass.

REAR WIPER ASSEMBLY

Removal — Lift off arm shaft cover. Remove shaft nut and wiper arm. Remove inside trim from hatch or tailgate. Unplug wiring and remove wiper motor.

Installation — To install, reverse removal procedure.

TESTING

NOTE — Testing procedures were not available from manufacturer.

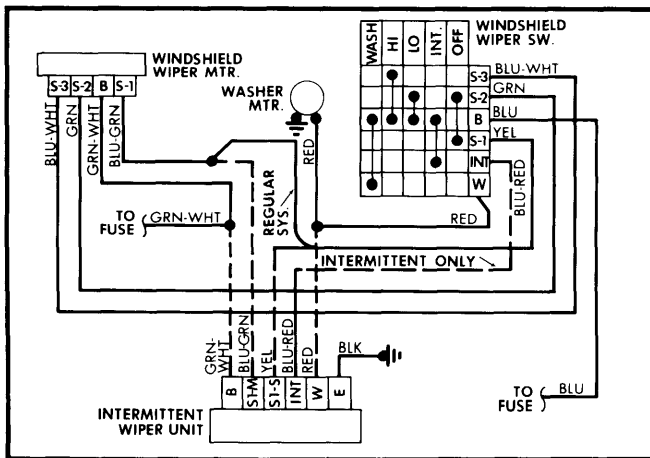


Fig. 1 Subaru Front Wiper/Washer Wiring Diagram

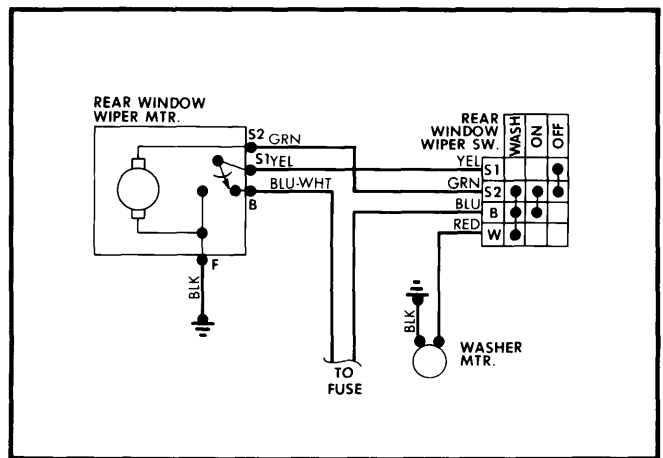


Fig. 2 Subaru Rear Wiper/Washer Wiring Diagram