

HONDA

Accord
Civic
Prelude

DESCRIPTION & OPERATION

All models are equipped with a 2-speed front wiper motor with intermittent feature. The washer system uses a small electric pump to spray fluid on the windshield. The wiper switch is part of the combination switch on the steering column. A rear wiper/washer system is used on Accord and some Civic models. A dashboard switch controls the rear wiper and washer pump. The pump and reservoir are located at rear of vehicle.

TESTING

FRONT WIPER MOTOR

1) Remove cowl air scoop and grille. Unbolt motor to gain access to connector. Unplug connector. Disconnect wiper motor linkage from motor.

2) Connect a jumper wire to the motor Green/Black wire and ground. Connect a jumper wire from battery voltage to Blue wire to test low speed, and to the Blue/Yellow wire to test high speed. If motor does not operate smoothly, replace it.

REAR WIPER MOTOR

Remove rear wiper motor. Connect a jumper wire between ground and the Green wire in motor connector. Connect a jumper wire between battery voltage and the Green/Black wire in motor connector. If motor does not run smoothly, replace it.

WASHER PUMP MOTOR

Connect battery voltage and ground to the pump terminals. Washer pump should operate and spray on window. If not, repair fluid lines or replace pump.

REMOVAL & INSTALLATION

FRONT WIPER MOTOR

Removal (All Models) — Remove cap on wiper arm, then remove nut and pull arm off. Remove pivot cap, nut, washer and cushion. Remove air scoop and hood seal. Remove linkage nut or clip. Remove motor bolts, unplug wiring and remove motor.

Installation — To install, reverse removal procedure. Operate motor once and allow to park, then install wiper arms.

REAR WIPER MOTOR

Removal (All Models) — Remove tailgate inner trim panel. Remove wiper arm cover and nut from wiper shaft. Remove wiper arm, nut and bushings. Remove wiper motor bolts, unplug connector and remove motor.

Installation — To install, reverse removal procedure.

COMBINATION SWITCH

Removal (All Models) — Disconnect battery ground cable. Remove steering wheel and column covers. Remove turn signal cancelling sleeve and washer. Remove screws holding combination switch and remove switch.

Installation — To install, reverse removal procedure.

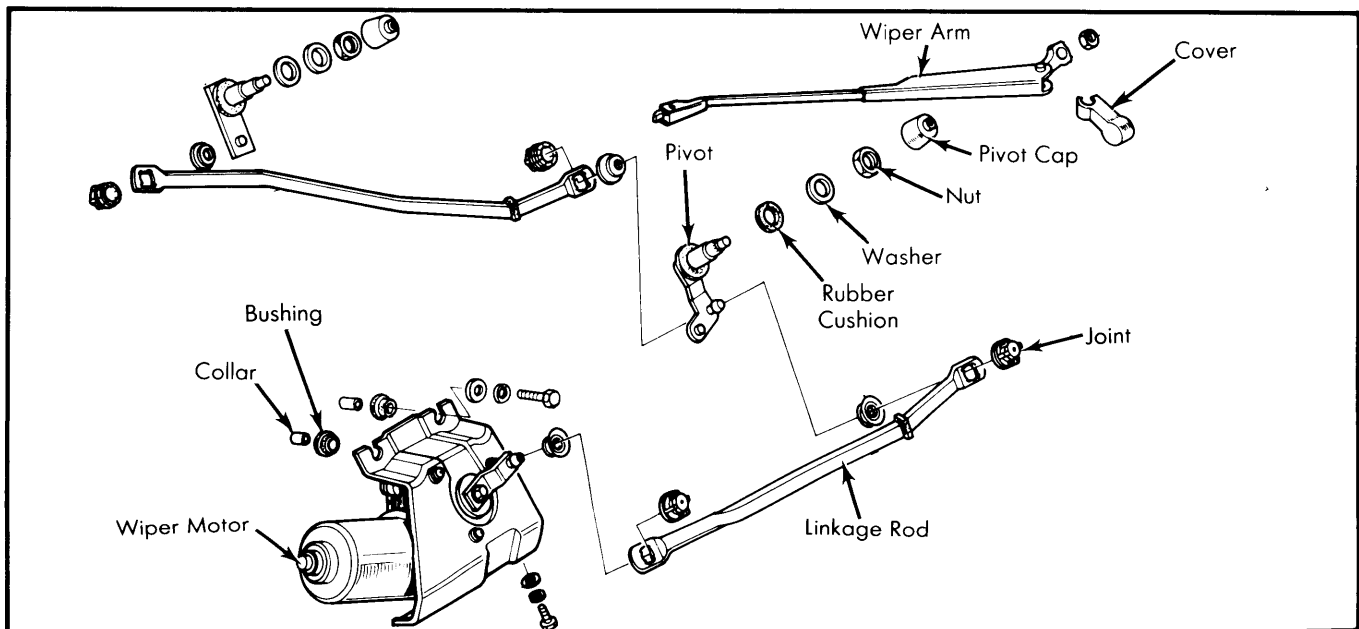


Fig. 1 Exploded View of Honda Wiper Linkage (Accord Shown, Others Similar)

Wiper/Washer Systems

HONDA (Cont.)

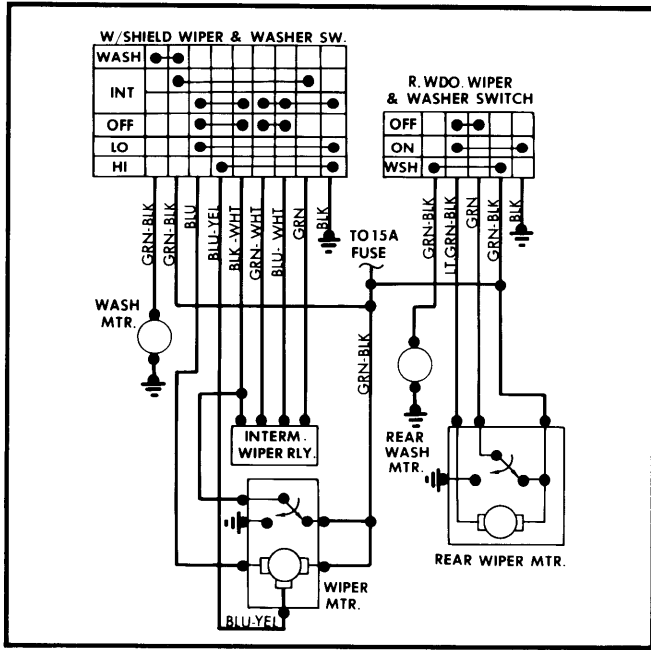


Fig. 2 Honda Accord Wiper Wiring Diagram

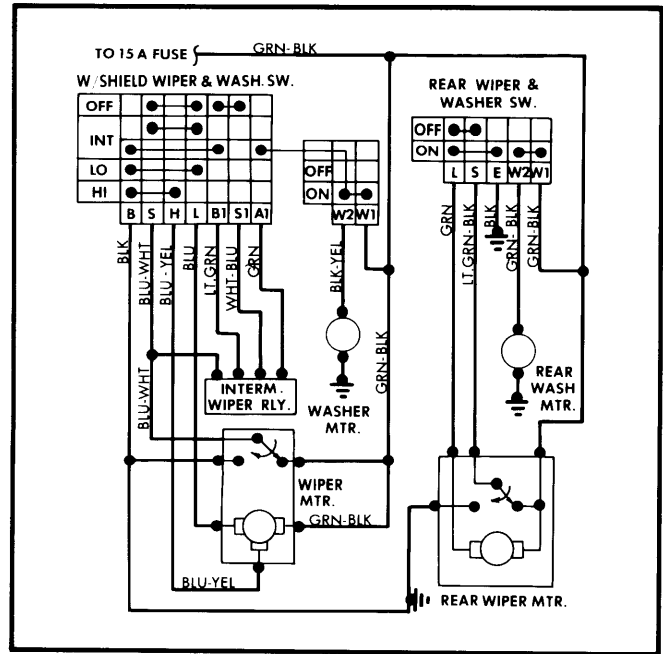


Fig. 3 Honda Civic Wiper Wiring Diagram

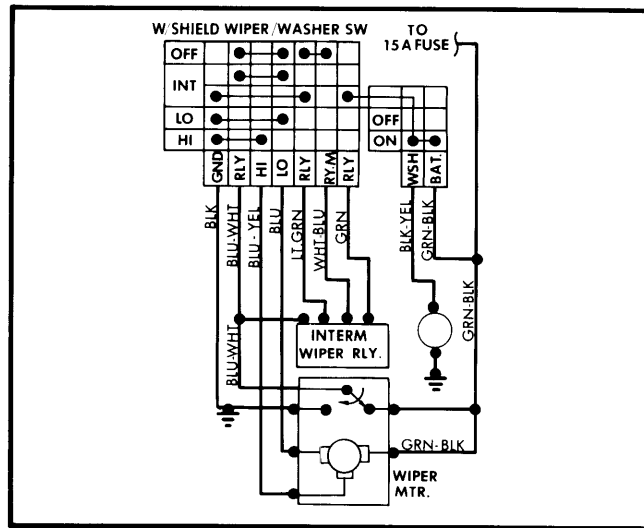


Fig. 4 Honda Prelude Wiper Wiring Diagram