

FIAT

Brava
Spider 2000
Strada
X1/9

DESCRIPTION & OPERATION

All models have electric wipers with washer. The Spider 2000 and Strada have a wiper lever on the steering column that selects off, intermittent and constant speeds. A second dashboard knob on the Spider 2000 selects high or low speed. Brava models have a 2-speed system without intermittent feature, while X1/9 models have a slow and fast speed plus intermittent. Lifting the lever toward the steering wheel operates the washers on all models.

Strada models may be equipped with a rear wiper/washer system. The control switches are on the dashboard. The rear washer pump and reservoir are located at the left rear corner of the vehicle.

REMOVAL & INSTALLATION

FRONT WIPER MOTOR

Removal (Brava) – 1) Remove weatherstrip from top of cowl. Unclip hood release cable. Remove 4 top bolts and loosen lower bolt that holds protection panel to firewall. Remove panel.

2) Run wipers and stop in straight-up position. Reach under cowl and remove retaining clip, washers and linkage from left wiper pin. Run wipers and stop in park position. Remove left wiper arm and shaft nuts.

3) Remove linkage bracket bolts, then remove motor/linkage assembly from cowl. Unplug wiring. Scribe marks on motor shaft and crank arm, then remove crank arm. Remove bolts and rubber cushions, then lift motor from linkage bracket.

Installation – To install, reverse removal procedure.

NOTE – Procedures for Spider 2000 were not available.

Removal (Strada) – Place wipers in park position. Disconnect wiring. Remove motor shaft nut. Remove 3 mounting bolts and wiper motor.

Installation – To install, reverse removal procedure.

Removal (X1/9) – 1) Open hood. Disconnect wiring, remove cowl grommet bolts and push connector through to rear side of cowl panel. Remove left wiper arm and shaft nuts and spacers.

2) Remove motor crank arm nut. Remove motor bracket bolts and move bracket around inside cowl to access motor-to-bracket bolts. Remove wiper motor.

Installation – To install, reverse removal procedure.

REAR WIPER MOTOR

Removal (Strada) – Lift wiper arm and pull it off. Remove shaft nut. Remove motor bolt and disconnect wiring. Remove motor.

Installation – To install, reverse removal procedure.

WIPER SWITCH

Removal (All Models) – Disconnect battery ground cable. Remove horn button and steering column covers. Remove steering shaft nut and pull off steering wheel. Loosen switch bolt and pull column switch assembly off column shaft. Disconnect wiring and remove switch.

Installation – To install, reverse removal procedure.

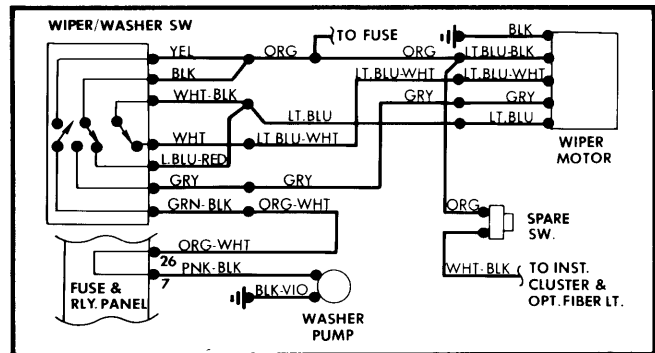


Fig. 1 Brava Wiper Wiring Diagram

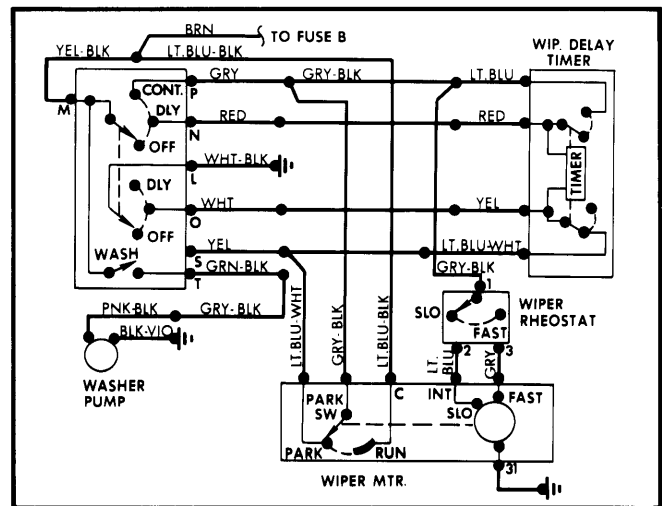


Fig. 2 Spider 2000 Wiper Wiring Diagram

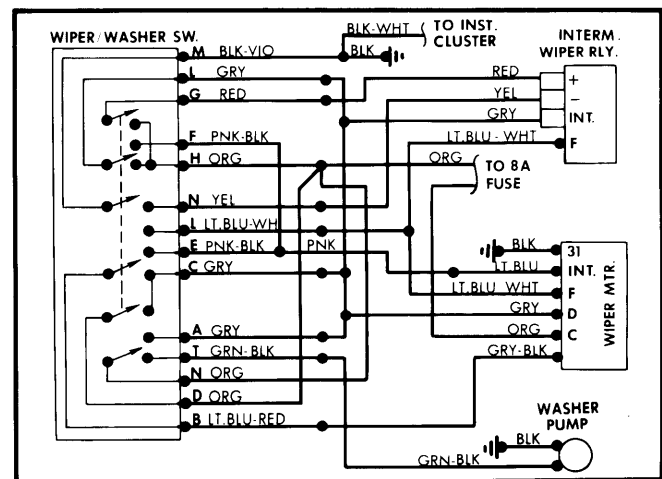


Fig. 3 X1/9 Wiper Wiring Diagram

Wiper/Washer Systems

FIAT (Cont.)

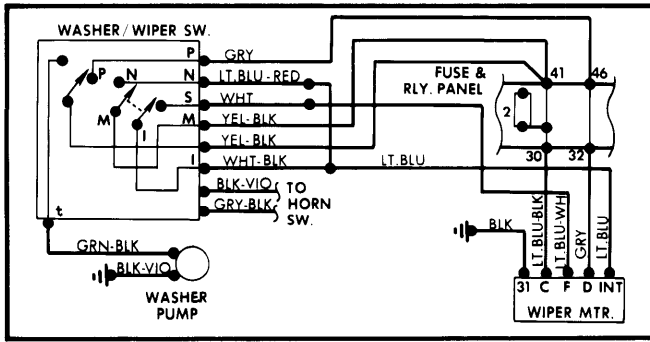


Fig. 4 Strada Front Wiper Wiring Diagram

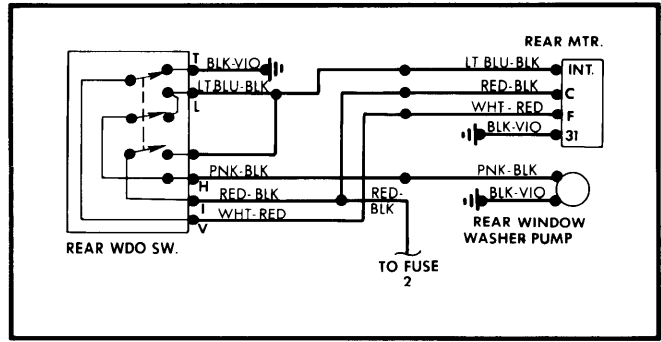


Fig. 5 Strada Rear Wiper Wiring Diagram