

BMW

320i
528i
633CSi
733i

DESCRIPTION & OPERATION

All models have a 2-speed wiper system with intermittent feature. The system uses a wiper control relay, located on the relay bracket near the left kick panel. The relay is right next to the turn signal flasher. The wiper switch is on the right side of the steering column. As the lever is moved upward, the wipers run intermittently, at low speed and at high speed. Pulling the lever toward the steering wheel operates the washer pump.

TESTING

Unplug wiper motor connector at motor. Check for battery voltage at Violet/Black wire. Move wiper switch to lower speed position. Voltage should be present at Black/White wire. If voltage is present, wiper motor must be faulty. If no voltage, check fuses and wiring.

REMOVAL & INSTALLATION

WIPER MOTOR

Removal (320i & 528i) – Disconnect battery ground cable. On 528i, remove 6 screws and firewall tray. Snap off linkage rod. Mark shaft and crank arm for reassembly, then remove crank arm. Unscrew stop pad screw and remove 3 bolts. Unplug wiring and remove motor.

Installation – To install, reverse removal procedure. Turn in stop pad screw until motor is supported.

Removal (733i) – 1) Remove left air grille. Loosen cowl cover screws and pull off rubber seal enough to lift cover. Pull off hose and tilt cover forward.

2) Remove motor cover and unplug wiring. Remove both wiper arms. Unscrew shaft nuts. Turn stop pad screw out. Disconnect linkage to right wiper. Loosen 2 screws at center of cowl and pull linkage apart.

3) Mark shaft and crank arm for reassembly. Remove motor crank arm. Remove 3 screws and wiper motor.

Installation – To install, reverse removal procedure, ensuring that linkage fits properly and stop pad is turned in to support motor.

NOTE – Procedures were not available for 633CSi models.

WIPER SWITCH

Removal (All Models) – Remove steering wheel. Remove lower column cover. Remove screws on right side of column and pull switch free. Cut off wiring clips and unplug wiring. Remove switch.

Installation – To install, reverse removal procedure.

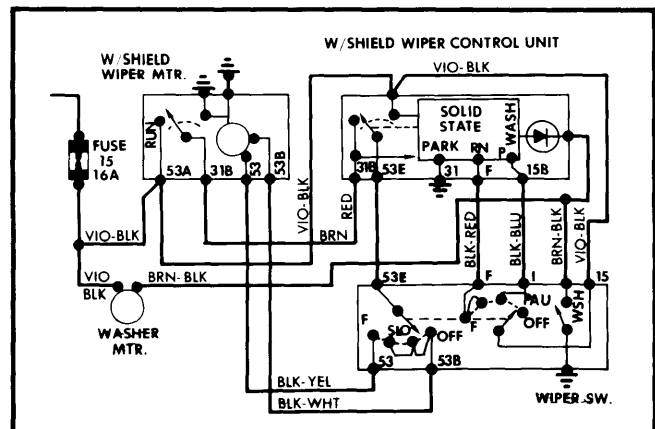


Fig. 1 BMW Wiper/Washer Wiring Diagram (All Models)