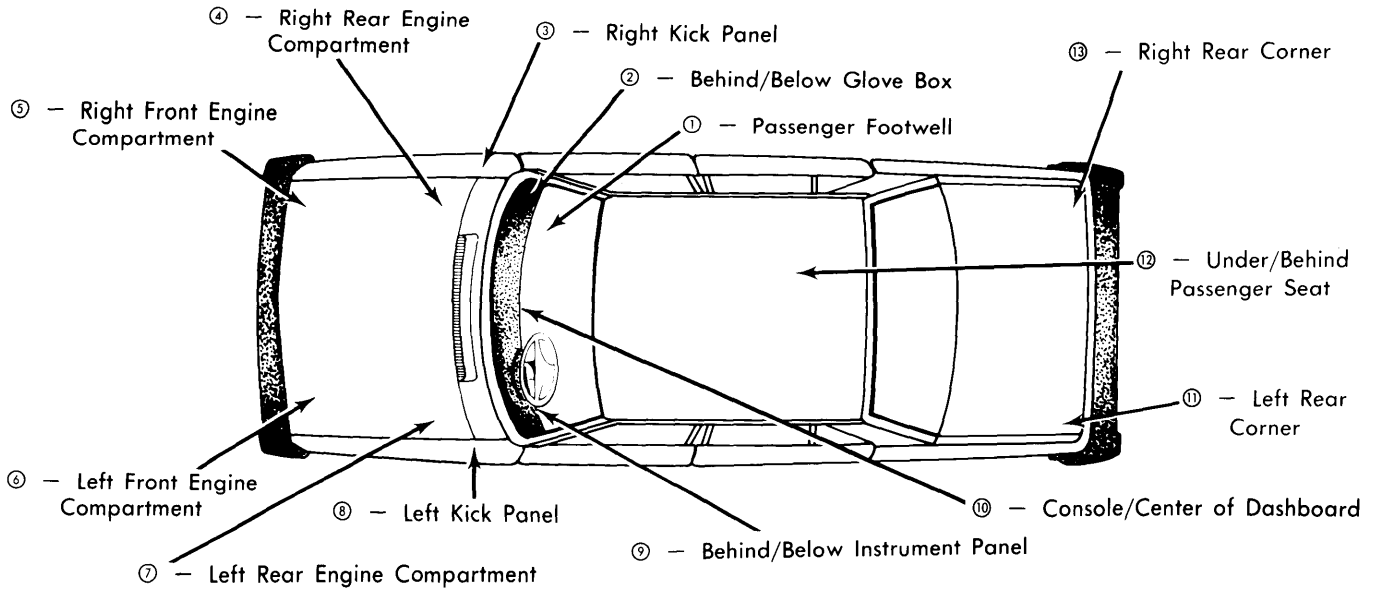


Fuse Blocks, Flashers & Relays

SAAB - VOLVO



MAKE - MODELS	FUSE BLOCK	FLASHER	RELAYS
SAAB			
900 & 900 Turbo	7	7	7
SUBARU			
All Models	9	9	Power Windows ¹²
TOYOTA			
Celica	9, 6	9	Seat Belt ³ , Heater ³ , Courtesy, O.D. ⁴ , Choke ⁴ , Others ⁸
Corolla	3, 6, 8	9	A/C, Headlight ⁴ , Heater, Wiper ³ , Others ⁸
Corona	9, 5	9	Lights, Charging ⁵ , Others ⁹
Cressida	3, 6, 8	8	Overdrive ¹⁰ , Heater, Wiper, A/C ⁶ , Others ^{4, 3}
Land Cruiser	9, 4	9	Others ⁹ , Charging ²
Pickup	9	9	Wiper, Choke, Seat Belt ² , Headlight, Tail Light ⁹ , Others ⁸
Supra	9, 5	9	Lights, Wiper ² , Others ⁹
Tercel	3, 6	9	Others ^{3, 6}
Starlet	9	9	Seat belt ³ , Cooling Fan ³ , Others ⁸
TRIUMPH			
TR7	2	9, 2	2
TR8	2	2	2
VOLKSWAGEN			
Dasher	9	9	9
Jetta	9	9	9
Rabbit	9	9	9
Rabbit Pickup	9	9	9
Scirocco	9	9	9
Vanagon	9	9	Aux. Heater ² , Others ⁹
VOLVO			
DL, GL, GLT	8	10	9, 10
GLE, Bertone	8	10	9, 10
Diesel	8	10	9, 10

NOTE - Locate the make and model of the vehicle in the left column. Use the numbers listed under the appropriate column (Fuse Blocks, Flashers or Relays) and refer to the illustration above to find the general area where component is located.