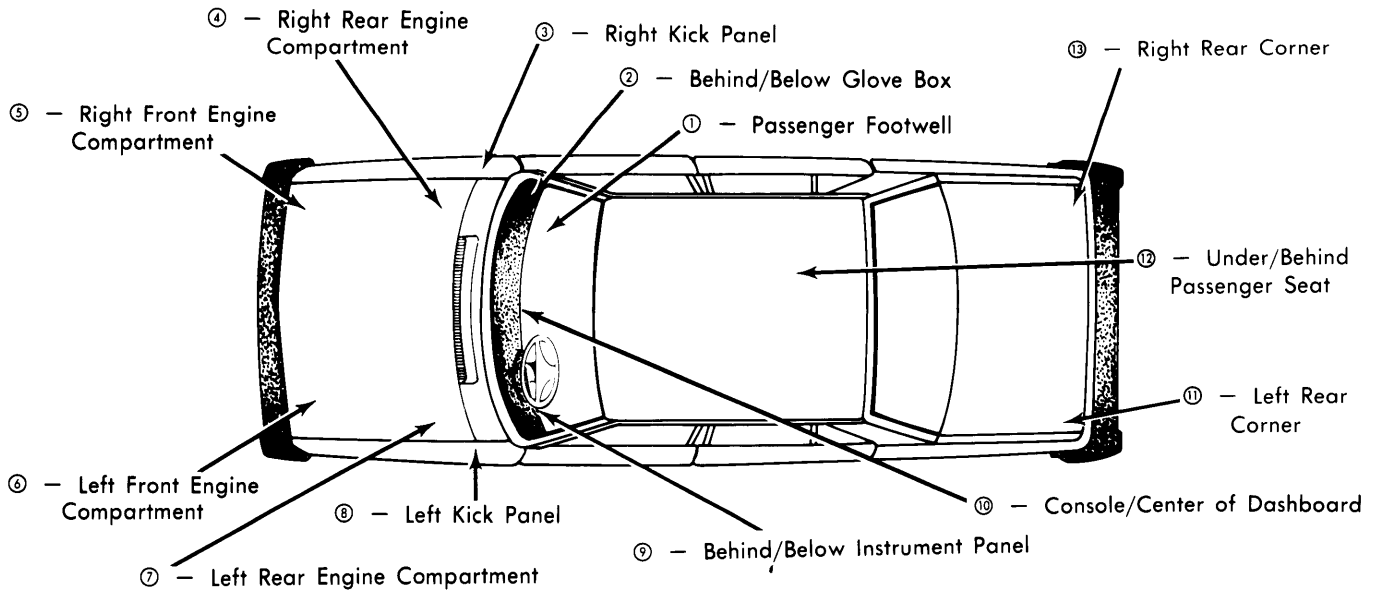


HONDA - RENAULT



MAKE - MODELS	FUSE BLOCK	FLASHER	RELAYS
HONDA			
Accord	9	9	9
Civic	9	9	9
Prelude	9	9	9
ISUZU & LUV			
I-Mark	8	9	A/C ¹⁰ , Others ⁹
Pickups	7	9	Glow Plugs ⁴ , Heater, Fuel Pump ⁷ , A/C ¹⁰
JAGUAR			
XJ6	2 9 5 6	9	Cold Start, Fuel Pump ⁴
MAZDA			
GLC Hatchback	9	9	Fan, Fast Idle, Horn ⁹ , Others ⁹
GLC Wagon	9	9	Idle Cut, A/C ⁴ , Others ⁷
626	9	8	Door Lock ³ , Choke ⁶ , A/C ¹⁰ , Others ⁸
RX7	9	9	Hot Start, Choke, A/C ⁷ , Horn ⁹
B2000 Pickup	7	9	Horn ⁹ , Others ⁹
MERCEDES-BENZ			
380SL & SLC	1	9	9 7
All Others	7	9	9 7
PEUGEOT			
504	9	10	9
505	7	10	Coil, A/C, Emissions ⁹ , Cooling Fan ⁹ , Defogger, Wiper ⁷
604	9	10	Fan, Coil ⁵ , Others ⁹
PORSCHE			
911SC	5 10	9	Heater, Defogger ¹⁰ , Others ⁹
924 & 924 Turbo	9	9	9
928	1	1	Seat Belt ¹⁰ , Rear Wiper ¹⁰ , Seat Release ¹²
RENAULT			
LeCar	10	9	9
18i	9	9	9

NOTE - Locate the make and model of the vehicle in the left column. Use the numbers listed under the appropriate column (Fuse Blocks, Flashers or Relays) and refer to the illustration above to find the general area where component is located.